

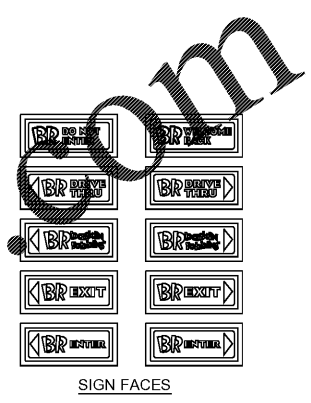
09 / 11 / 2019

BaskinBRRobbins
 2400 North 7th Street
 West Monroe, LA 71291
 Store Number:

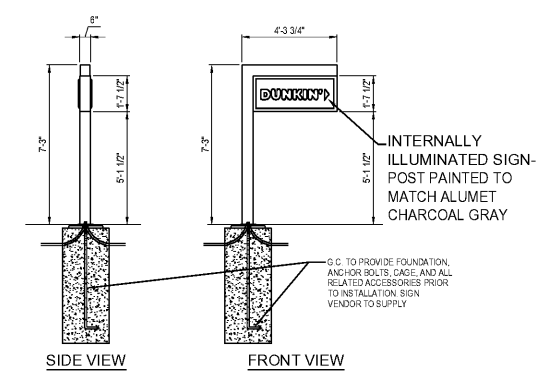
FRANCHISEE:
 Ankur Patel
 BP Scoops & Smiles LLC dba
 BaskinRobbins
 2408 Louisville Ave.
 Monroe, LA 71201
 (850) 368-9477
 ankurpatel03@yahoo.com

ISSUED / REVISED	DATE
	09/11/2019

VERIFY SIGNAGE WITH ACTUAL ORDER PRIOR TO INSTALLING



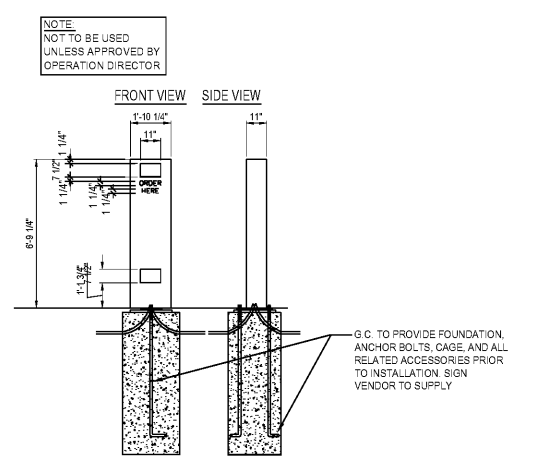
SIGN FACES



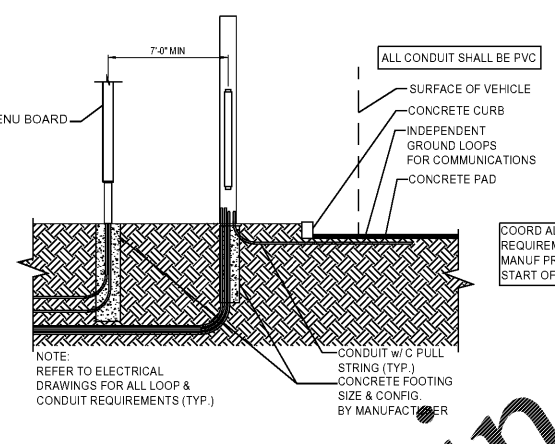
DIRECTIONAL SIGN OPTION 2
 AREA OF SIGN: 2.75 SQ FT
 LIGHTING: FLORESCENT LAMP

COLOR NOTE:
 SEE DUNKIN' BRANDS WEBSITE,
<http://extranet.dunkinbrands.com>, FOR COMPLETE INFORMATION AND DETAILS

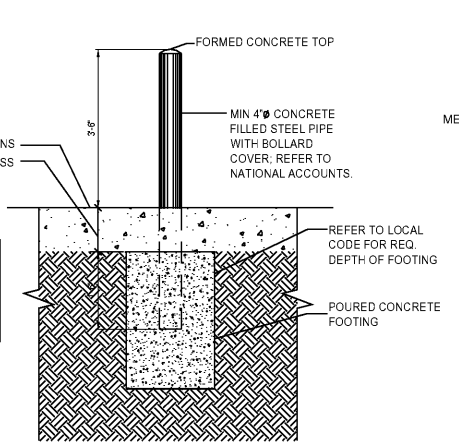
DIRECTIONAL SIGN DETAILS



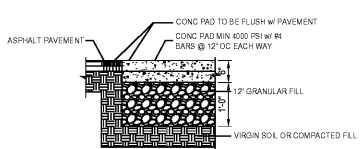
SPEAKER POST DETAILS



DRIVE-THRU MENU SECTION "STATIC"



BOLLARD DETAIL

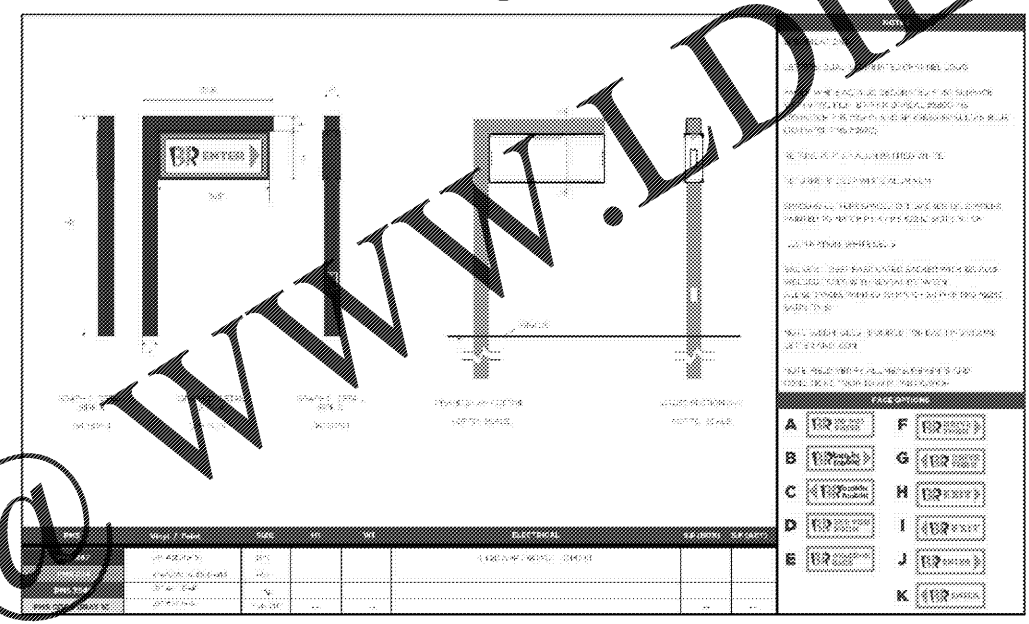


SECTION @ CONCRETE PAD

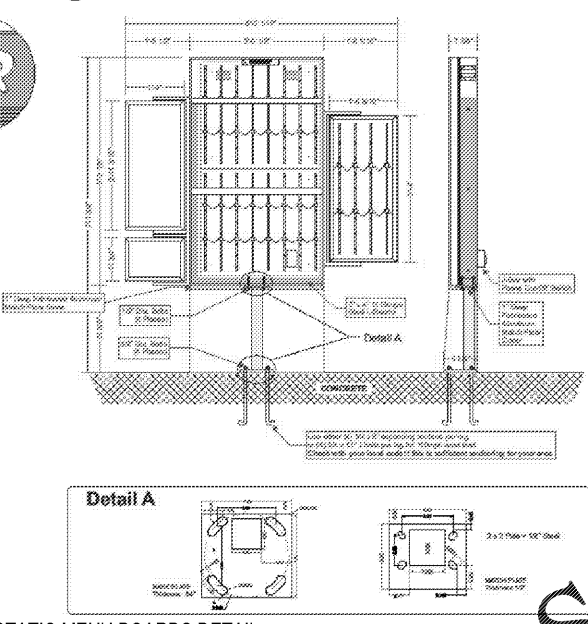
G.C. TO PROVIDE FOUNDATION AND/OR BOLT, CAGE, AND ALL RELATED ACCESSORIES PRIOR TO INSTALLATION SIGN VENDOR TO SUPPLY

CLEARANCE BAR DETAIL

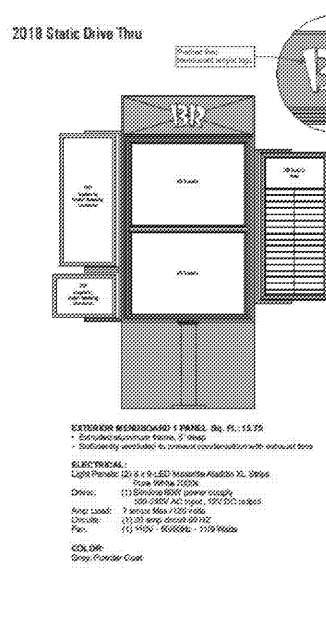
SCALE: 1/2"=1'-0"



NO SCALE



STATIC MENU BOARDS DETAIL



NO SCALE

Order Plans