

GENERAL ELECTRICAL NOTES

- 1. ALL ELECTRICAL WORK SHALL BE IN ACCORDANCE WITH THE LATEST ADOPTED EDITION OF THE NATIONAL ELECTRICAL CODE AND ALL APPLICABLE LOCAL AND STATE CODES.
2. ALL MATERIAL EQUIPMENT AND APPLIANCES SHALL BE NEW AND SHALL CONFORM TO THE STANDARDS OF THE UNDERWRITER'S LABORATORIES, INC., AND THE NATIONAL MANUFACTURERS ASSOCIATION.
3. ALL ELECTRICAL PERMITS AND INSPECTION FEES SHALL BE OBTAINED AND PAID FOR BY THE ELECTRICAL CONTRACTOR.
...
37. IF DURING THE COURSE OF WORK THE ELECTRICAL CONTRACTOR DISCOVERS A PROBLEM WITH THE PERFORMANCE OF THE INSTALLATION RELATIVE TO THE PLANS AND SPECIFICATIONS OR NEC OR OTHER CODES, THE ELECTRICAL CONTRACTOR SHALL IMMEDIATELY BRING THE PROBLEM TO THE ATTENTION OF THE ARCHITECT AND ENGINEER FOR RESOLUTION PRIOR TO THE EXECUTION OF THE WORK.

PANEL SCHEDULE TO BE COMPLETED DURING SUBWAY BUILD OUT

Panel schedule table for PA. Includes columns for Load Center, Phase, Wire, Main Bus, and Load details for 200 AMP.

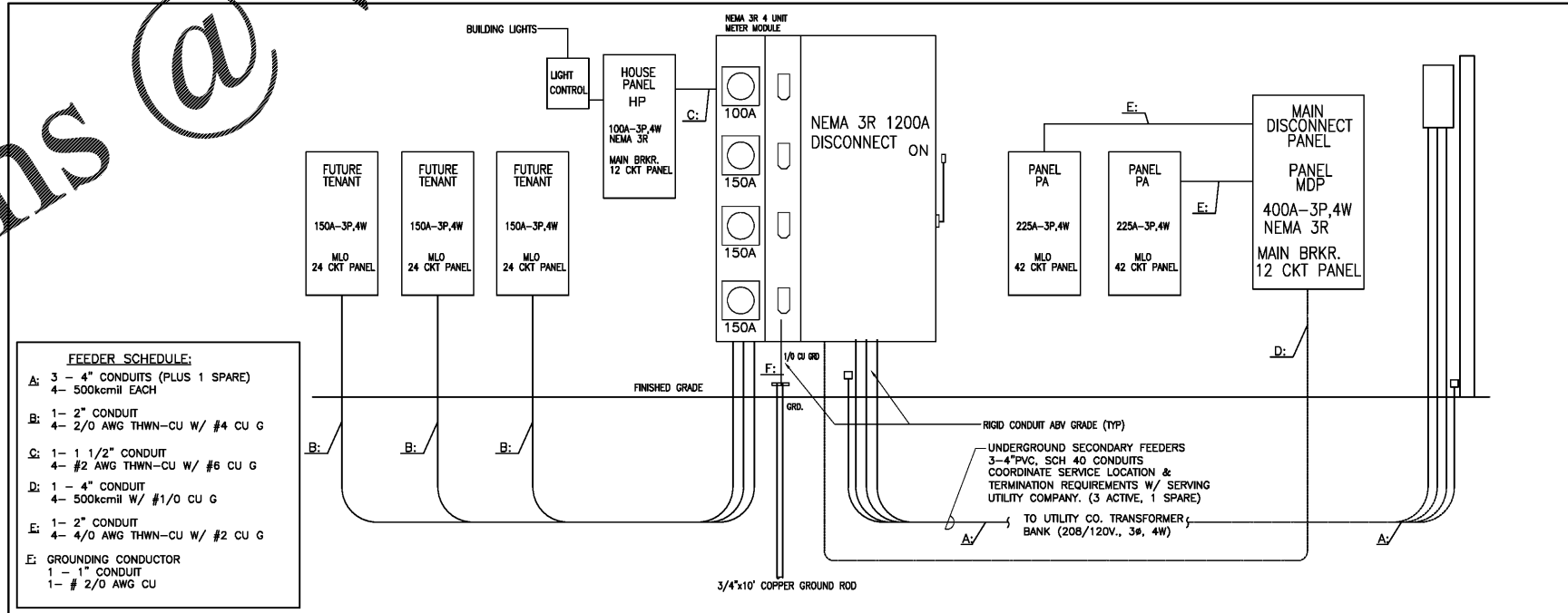
PANEL SCHEDULE TO BE COMPLETED DURING SUBWAY BUILD OUT

Panel schedule table for PB. Includes columns for Load Center, Phase, Wire, Main Bus, and Load details for 200 AMP.

Panel schedule table for PC. Includes columns for Load Center, Phase, Wire, Main Bus, and Load details for 150 AMP.

Panel schedule table for PD. Includes columns for Load Center, Phase, Wire, Main Bus, and Load details for 250 AMP.

Panel schedule table for PE. Includes columns for Load Center, Phase, Wire, Main Bus, and Load details for 150 AMP.



FEEDER SCHEDULE: A: 3 - 4" CONDUITS (PLUS 1 SPARE) 4 - 500kcmil EACH; B: 1 - 2" CONDUIT 4 - 2/0 AWG THWN-CU W/ #4 CU G; ...

Taylor Wallace Designs logo and contact information: Karl M. Wallace V. Civil Engineer, Gregory T. Wallace V. Architect, 441 Pointe Place Road, Downsville, LA 71234 V 318 396.2197

Professional Engineer Seal for Karl M. Wallace, State of Louisiana, License No. 15262, dated 09/12/17.

PROJECT: A NEW STRIP SHOPPING CENTER FOR RAY ANDING. NORTH 7TH WEST MONROE, LOUISIANA

REVISIONS table with columns for No., Description, and Date.

DRAWN BY: TDL; CHECKED BY: KMW; DATE: 09/12/17; SCALE: AS NOTED; SHEET