

MARK	SIZE	DESCRIPTION	HARDWARE	FRAME	REMARKS
1	2'-3" x 7'-0" x 1'-3/4"	PAIR OF STOREFRONT DOORS IN STOREFRONT SYSTEM SEE ELEVATIONS	PUSH-PULL W/ DEADBOLT & CLOSER	ALUM	PROVIDE EXIT SIGN - PER DETAIL
2	2'-3" x 7'-0" x 1'-3/4"	PAIR OF STOREFRONT DOORS IN STOREFRONT SYSTEM SEE ELEVATIONS	PUSH-PULL W/ DEADBOLT & CLOSER	ALUM	PROVIDE EXIT SIGN - PER DETAIL
3	2'-3" x 7'-0" x 1'-3/4"	PAIR OF STOREFRONT DOORS IN STOREFRONT SYSTEM SEE ELEVATIONS	PUSH-PULL W/ DEADBOLT & CLOSER	ALUM	PROVIDE EXIT SIGN - PER DETAIL
4	2'-3" x 7'-0" x 1'-3/4"	PAIR OF STOREFRONT DOORS IN STOREFRONT SYSTEM SEE ELEVATIONS	PUSH-PULL W/ DEADBOLT & CLOSER	ALUM	PROVIDE EXIT SIGN - PER DETAIL
5	3'-0" x 7'-0" x 1'-3/4"	EXTERIOR INSULATED METAL DOOR	PANIC HARDWARE W/ CLOSER	METAL	PROVIDE EXIT SIGN - PER DETAIL
6	3'-0" x 7'-0" x 1'-3/4"	EXTERIOR INSULATED METAL DOOR	LEVER LOCKSET W/ CLOSER	METAL	PROVIDE EXIT SIGN - PER DETAIL
7	3'-0" x 7'-0" x 1'-3/4"	EXTERIOR INSULATED METAL DOOR	LEVER LOCKSET W/ CLOSER	METAL	PROVIDE EXIT SIGN - PER DETAIL
8	3'-0" x 7'-0" x 1'-3/4"	EXTERIOR INSULATED METAL DOOR	LEVER LOCKSET W/ CLOSER	METAL	PROVIDE EXIT SIGN - PER DETAIL
9	3'-0" x 6'-8" x 1'-3/8"	SEE SUBWAY DRAWINGS - INSTALLED DURING TENANT FINISH	LEVER PRIVACY W/ CLOSER	METAL	PROVIDE HANDICAP SIGN - PER DETAIL
10	3'-0" x 6'-8" x 1'-3/8"	SEE SUBWAY DRAWINGS - INSTALLED DURING TENANT FINISH	LEVER PRIVACY W/ CLOSER	METAL	PROVIDE HANDICAP SIGN - PER DETAIL
11	3'-0" x 6'-8" x 1'-3/8"	INTERIOR SOLID CORE MASONITE DOOR - FLUSH	LEVER PRIVACY W/ CLOSER	WOOD	PROVIDE HANDICAP SIGN - PER DETAIL
12	3'-0" x 6'-8" x 1'-3/8"	INTERIOR SOLID CORE MASONITE DOOR - FLUSH	LEVER PASSAGE	WOOD	
13	3'-0" x 6'-8" x 1'-3/8"	INTERIOR SOLID CORE MASONITE DOOR - FLUSH	LEVER PASSAGE	WOOD	
14	3'-0" x 6'-8" x 1'-3/8"	INTERIOR SOLID CORE MASONITE DOOR - FLUSH	LEVER PRIVACY W/ CLOSER	WOOD	PROVIDE HANDICAP SIGN - PER DETAIL
15	3'-0" x 6'-8" x 1'-3/8"	INTERIOR SOLID CORE MASONITE DOOR - FLUSH	LEVER PRIVACY W/ CLOSER	WOOD	PROVIDE HANDICAP SIGN - PER DETAIL
16	3'-0" x 6'-8" x 1'-3/8"	INTERIOR SOLID CORE MASONITE DOOR - FLUSH	LEVER PASSAGE	WOOD	
17	2'-4" x 6'-8" x 1'-3/8"	INTERIOR SOLID CORE MASONITE DOOR - FLUSH	LEVER PASSAGE	WOOD	
18	2'-4" x 6'-8" x 1'-3/8"	INTERIOR SOLID CORE MASONITE DOOR - FLUSH	LEVER PASSAGE	WOOD	
19	2'-4" x 6'-8" x 1'-3/8"	INTERIOR SOLID CORE MASONITE DOOR - FLUSH	LEVER PASSAGE	WOOD	

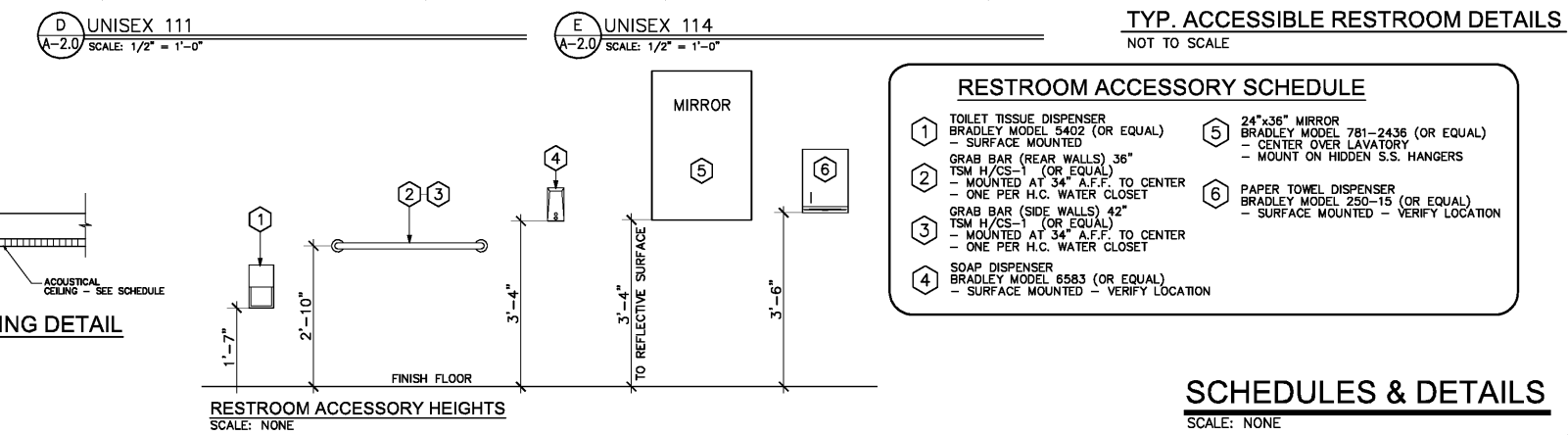
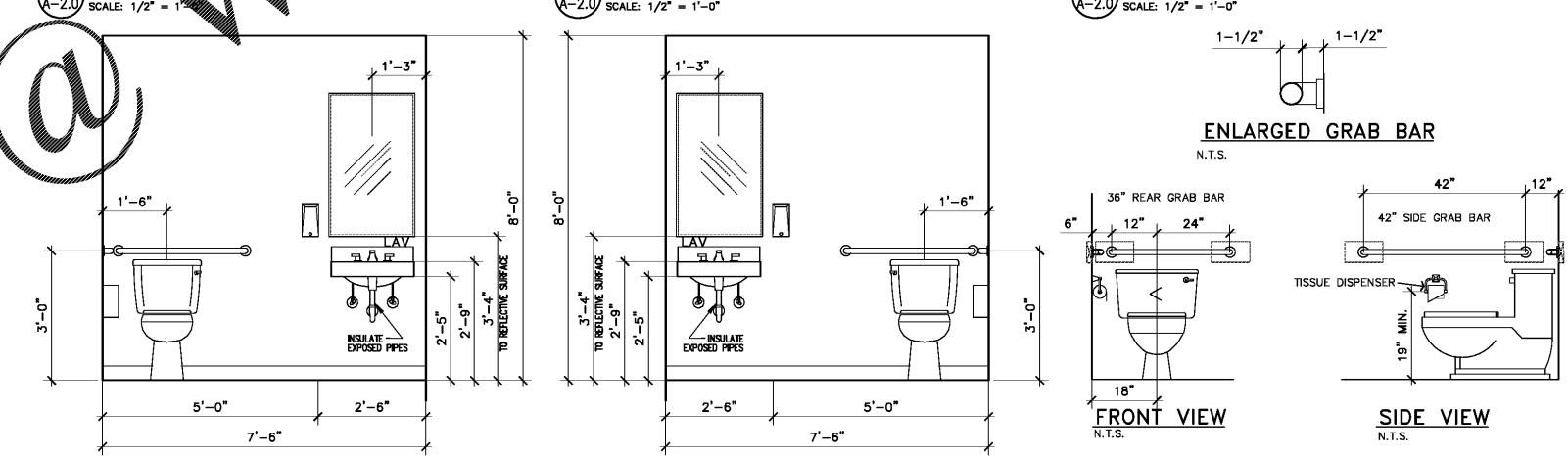
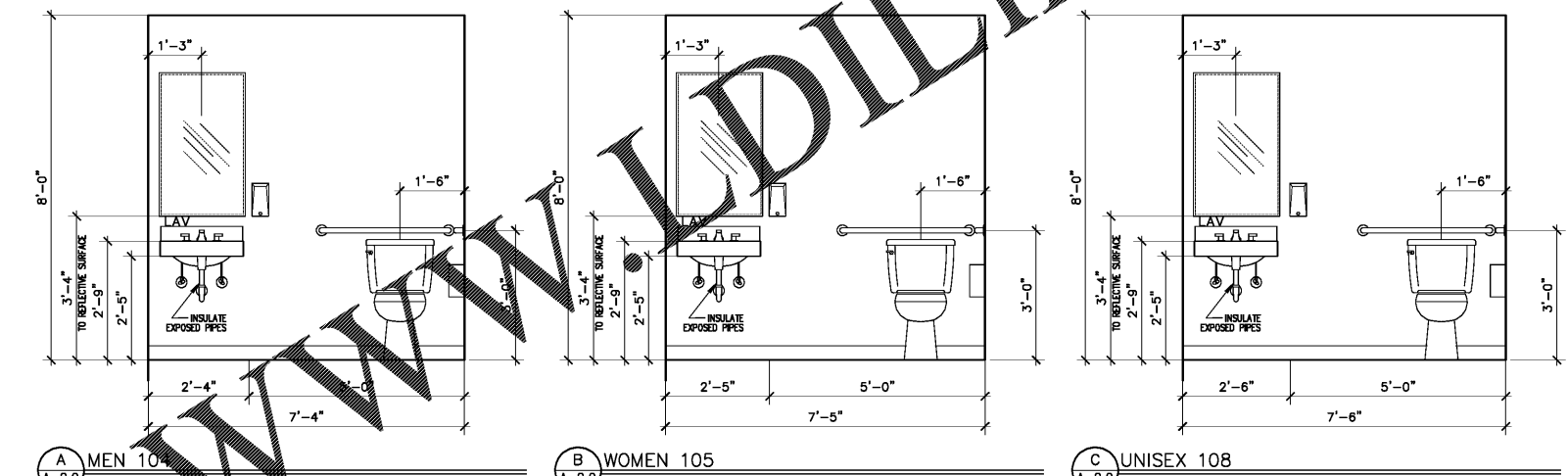
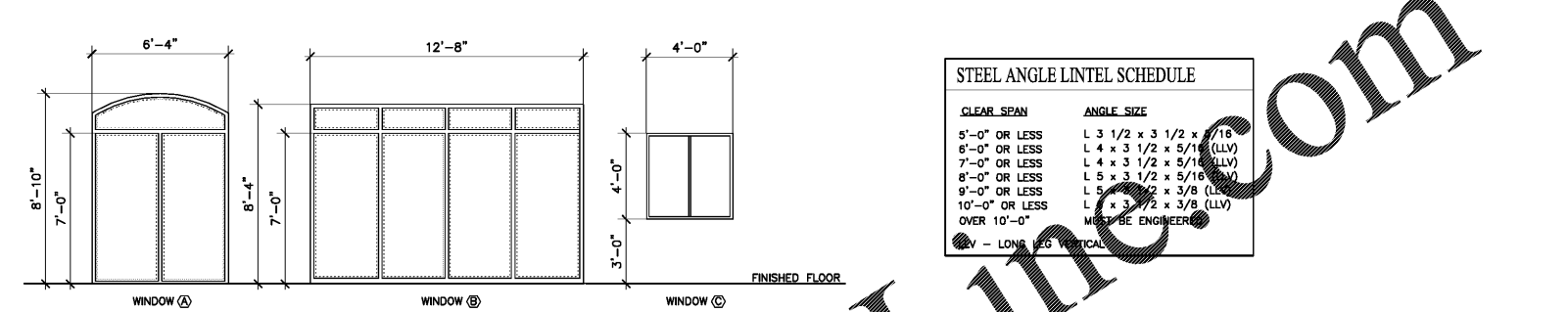
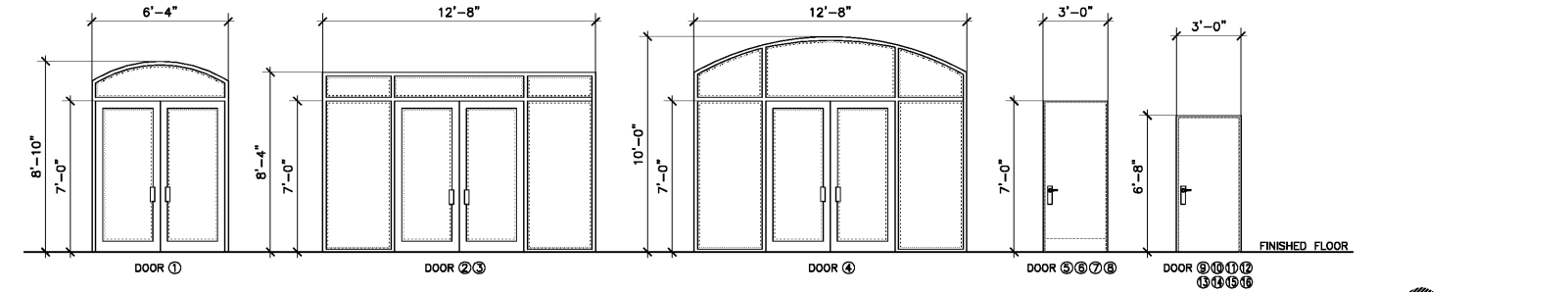
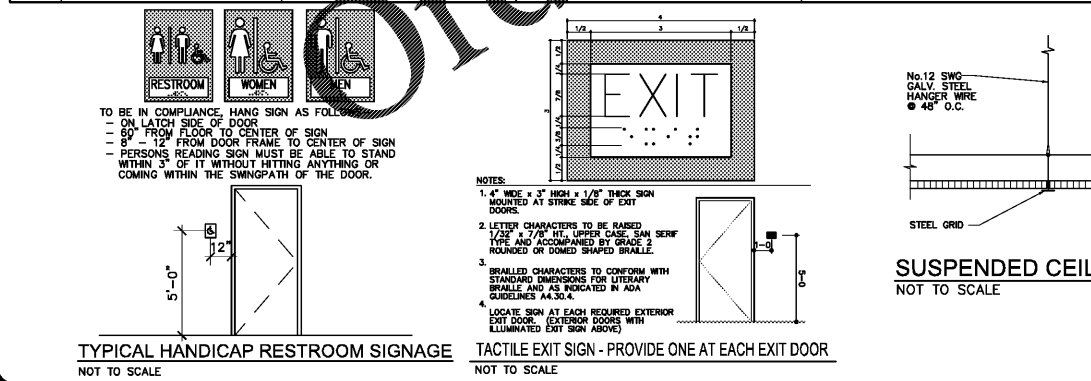
MARK	SIZE	DESCRIPTION	REMARKS
A	3'-0" x 6'-0"	ALUMINUM STOREFRONT WINDOW WITH TINTED SAFETY GLASS	SEE ELEVATIONS
B	3'-0" x 6'-0"	ALUMINUM STOREFRONT WINDOW WITH TINTED SAFETY GLASS	SEE ELEVATIONS
C	4'-0" x 4'-0"	ALUMINUM SLIDING DRIVE THRU WINDOW - PER SUBWAY SPECIFICATIONS	SEE ELEVATIONS
D	4'-0" x 4'-0"	ALUMINUM SLIDING DRIVE THRU WINDOW	SEE ELEVATIONS

MARK	ROOM NAME	FLOORS	BASE	WALLS	WAINSCOT	CHAIRRAIL	CEILING	CLG. HT.	CROWN	REMARKS
101	FUTURE DINING AREA	TBD	TBD	PG PG2 PG PG	---	---	SS	10'-0"	---	
102	FUTURE KITCHEN	TBD	TBD	PG PG PG PG	---	---	SS	10'-0"	---	
103	CORRIDOR	TBD	TBD	PG PG2 PG PG	---	---	PG	8'-0"	---	
104	MEN	TBD	TBD	PG PG PG PG	---	---	PG	8'-0"	---	
105	WOMEN	TBD	TBD	PG PG2 PG PG	---	---	PG	8'-0"	---	
106	SALES	TBD	TBD	PG PG2 PG PG2	---	---	SS	10'-0"	---	
107	CORRIDOR	TBD	TBD	PG PG PG PG	---	---	PG	8'-0"	---	
108	UNISEX RESTROOM	VCT	VB	PG PG PG PG	---	---	PG	8'-0"	---	
109	SALES	TBD	TBD	PG PG2 PG PG2	---	---	SS	10'-0"	---	
110	CORRIDOR	TBD	TBD	PG PG PG PG	---	---	PG	8'-0"	---	
111	UNISEX RESTROOM	VCT	VB	PG PG PG PG	---	---	PG	8'-0"	---	
112	SALES	TBD	TBD	PG PG PG PG2	---	---	SS	10'-0"	---	
113	CORRIDOR	TBD	TBD	PG PG PG PG	---	---	PG	8'-0"	---	
114	UNISEX RESTROOM	VCT	VB	PG PG PG PG	---	---	PG	8'-0"	---	
115	HVAC	CON	---	PG3 PG3 PG3 PG3	---	---	---	---	---	
116	HVAC	CON	---	PG3 PG3 PG3 PG3	---	---	---	---	---	
117	HVAC	CON	---	PG3 PG3 PG3 PG3	---	---	---	---	---	

FLOORS			WAINSCOT		
SYMBOL	DESCRIPTION	SIZE	SYMBOL	DESCRIPTION	SIZE
VCT	VINYL COMPOSITION TILE	12" X 12"	---	NONE	---
CON	CONCRETE				
TBD	TO BE DETERMINED BY TENANT				

BASE			CEILING		
SYMBOL	DESCRIPTION	SIZE	SYMBOL	DESCRIPTION	SIZE
VB	VINYL COVE BASE	4"	PG	PAINTED GYPSUM BOARD - TAPE, FLOAT, AND PAINT WITH TWO COATS	5/8"
TBD	TO BE DETERMINED BY TENANT		SS	SUSPENDED CEILING GRILL WITH ACOUSTICAL TILE AND 1" UNIFIED INSULATION ABOVE	2' X 2'

WALLS			CROWN		
SYMBOL	DESCRIPTION	SIZE	SYMBOL	DESCRIPTION	SIZE
PG	PAINTED GYPSUM BOARD - TAPE, FLOAT, AND PAINT WITH TWO COATS	5/8"	---	NONE	---
PG2	PAINTED GYPSUM BOARD - TAPE, FLOAT, AND PAINT WITH TWO COATS	TWO LAYERS OF 5/8" TYPE X GYP. BD. EACH SIDE FOR TWO HOUR RATED WALL			
PG3	PAINTED GYPSUM BOARD - TAPE AND FLOAT ONLY	5/8"			



Taylor Wallace Designs
An Architectural & Engineering Corporation
Karl M. Wallace II, Civil Engineer
Gregory T. Wallace II, Architect
441 Pointe Place Road, Downsville, LA 71234 | 318.396.2197

The Professional seal and the details on it are the sole property of the Architect and may be used for this specific project only. It shall not be loaned, copied or reproduced in whole or in part, or for any other purpose without the written consent of the Architect.
© COPYRIGHT 2017, TAYLOR-WALLACE DESIGNS, INC.
09/12/17

PROJECT: A NEW STRIP SHOPPING CENTER FOR
RAY ANDING
NORTH 7TH
WEST MONROE, LOUISIANA

REVISIONS		
No.	Description	Date

DRAWN BY: TDL
CHECKED BY: KMW
DATE: 09/12/17
SCALE: AS NOTED
SHEET:
A-2.0

NORTH 7TH SHOPPING CENTER - RAY ANDING