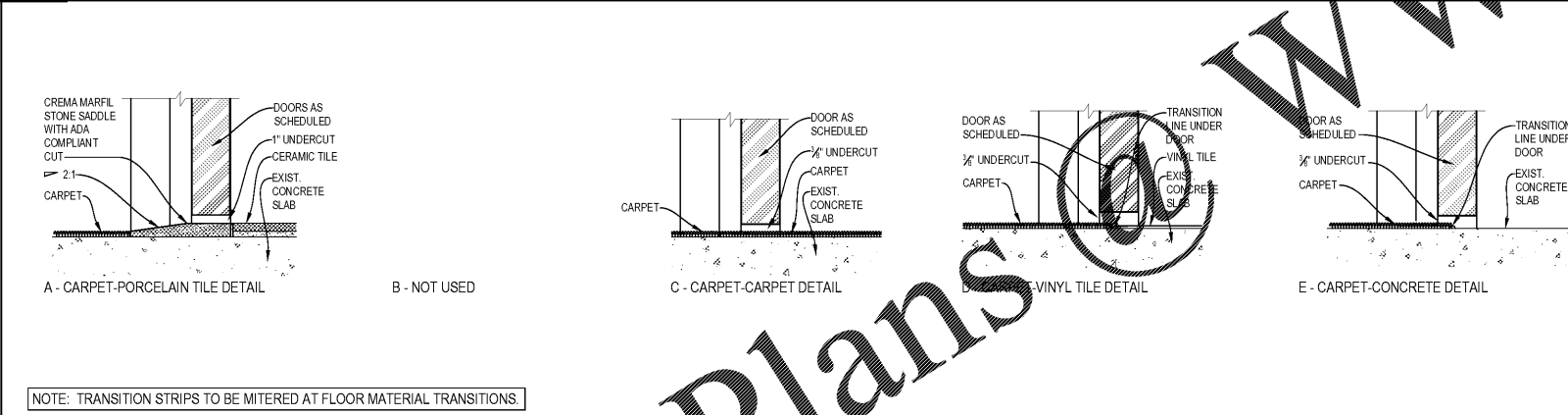
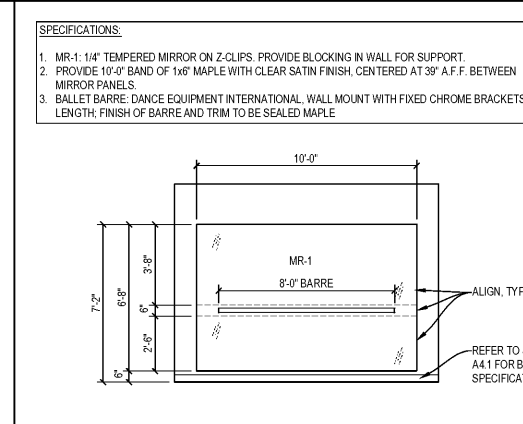
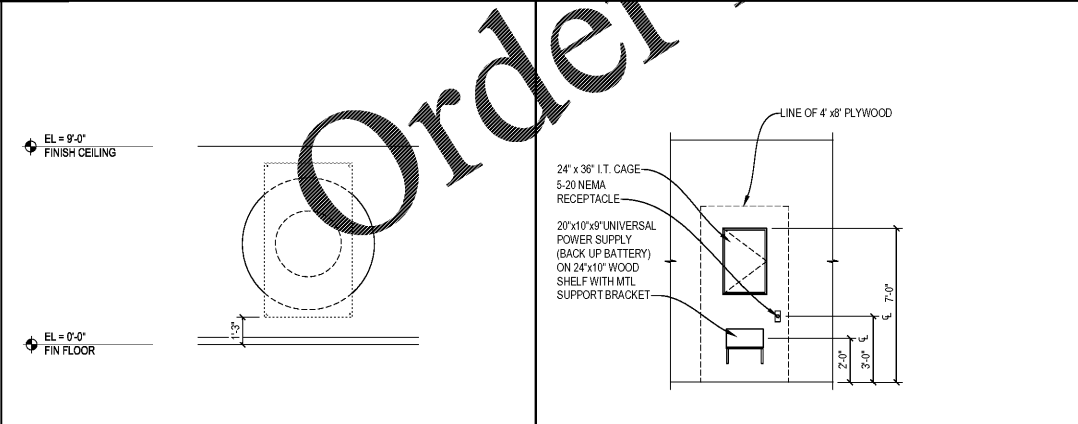


10 100 RECEPTION ENTRY DETAIL
 SCALE: NONE

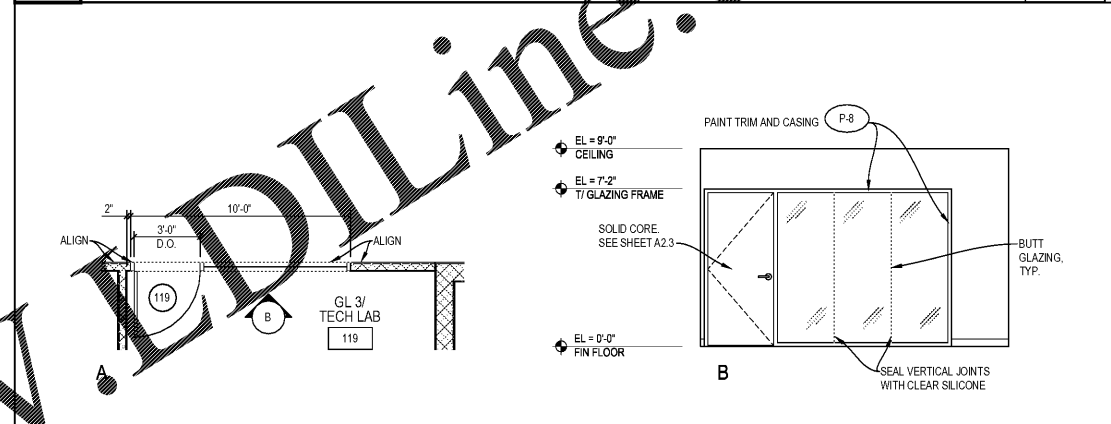
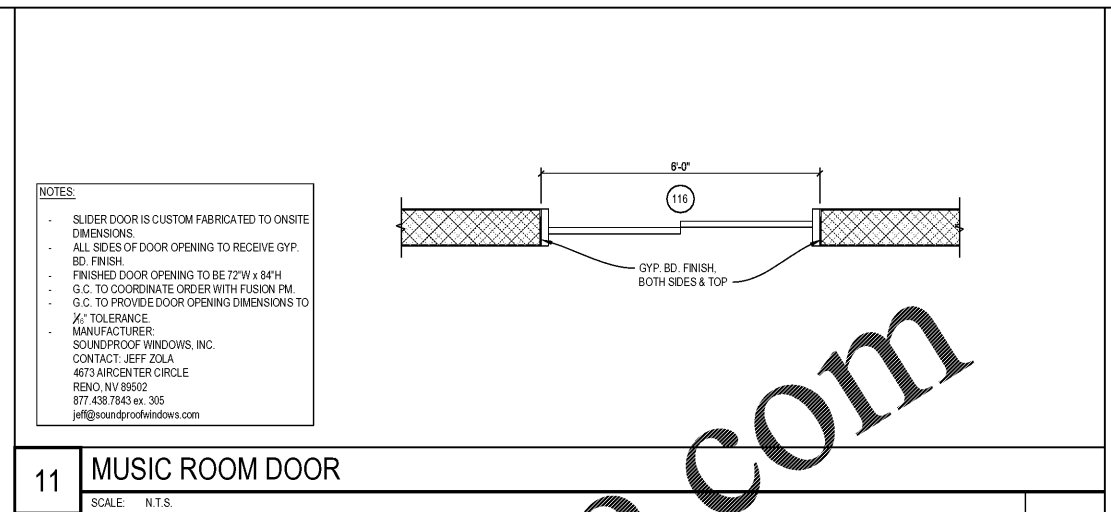


8 SILL DETAILS
 SCALE: NONE

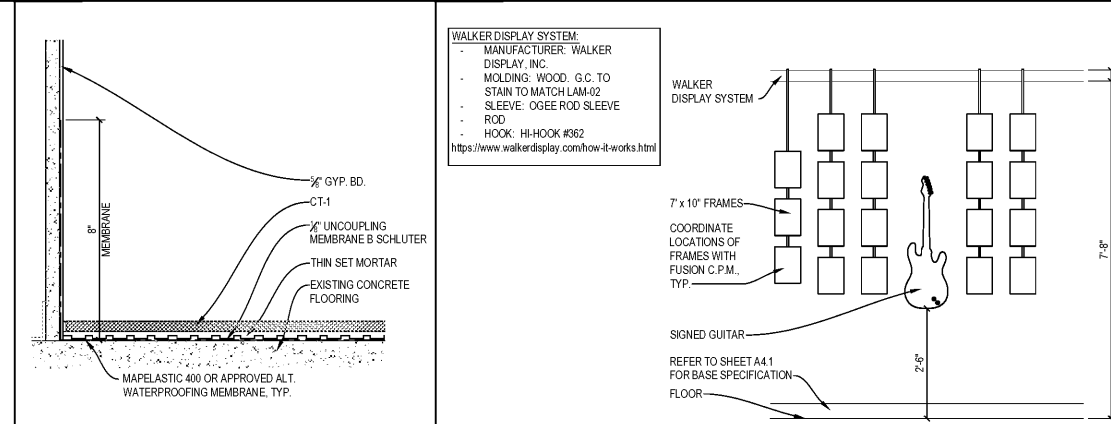
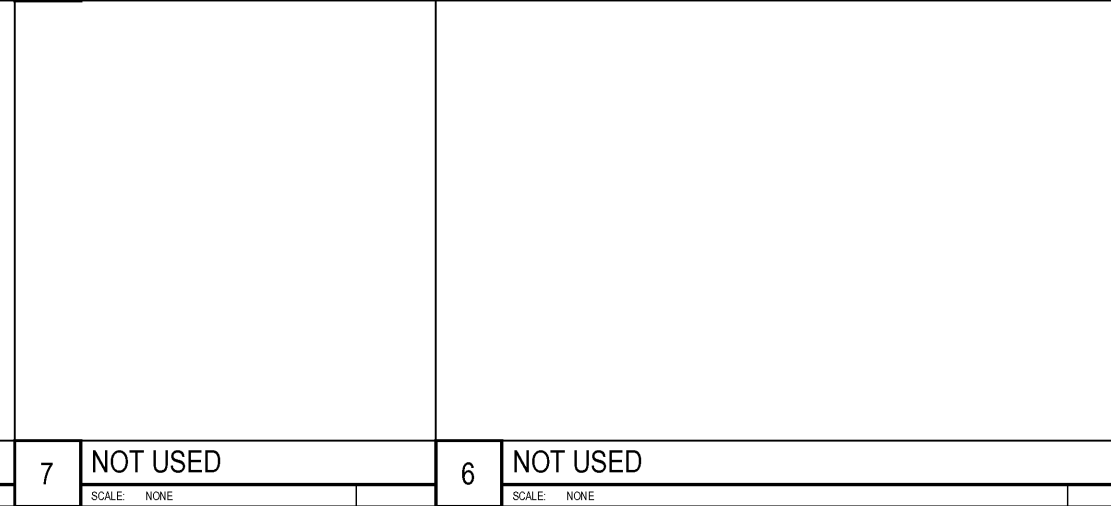


5 VOICE WALL
 SCALE: N.T.S.

3 ACTIVITY ROOM ELEVATION
 SCALE: 1 1/2" = 1'-0"



9 TECH LAB GLASS WALL
 SCALE: N.T.S.



1 TEACHER PHOTO WALL
 SCALE: 1/2" = 1'-0"

fusion

FUSION ACADEMY
 3540 TORINGDON WAY, STE #100
 CHARLOTTE, NC 28277

CONSTRUCTION DETAILS

CHIPMAN DESIGN ARCHITECTURE INC.
 JOHN A. CHIPMAN ARCHITECT
 1000 W. FLORENCE AVE. SUITE 100
 CHARLOTTE, NC 28202
 PHONE: 847.798.9950

Revisions

| | | |
|---|----------------------------|----------|
| △ | ISSUE FOR PERMIT | 08/19/19 |
| △ | ISSUE FOR CLIENT/LL REVIEW | 08/23/19 |
| △ | ISSUE FOR BID | 05/30/19 |
| △ | | |
| △ | | |
| △ | | |

08/19/2019 DATE
 06/30/2020 EXPIRATION DATE

I HEREBY CERTIFY THAT THESE PLANS HAVE BEEN PREPARED UNDER MY SUPERVISION AND THAT TO THE BEST OF MY KNOWLEDGE, THEY COMPLY WITH ALL RULES, REGULATIONS AND ORDINANCES OF CHARLOTTE, NC RELATING TO STRUCTURES AND BUILDINGS.

ARCHITECT

| | |
|-------------------|------------------|
| Drawn By BB | Checked By BW |
| Scale AS NOTED | Date 08/19/19 |

Job No.
18-7842

Sheet No.
A3.3