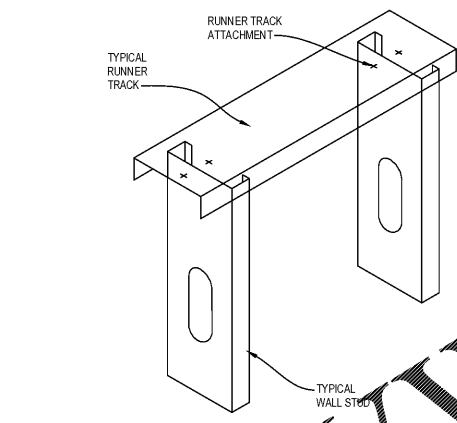
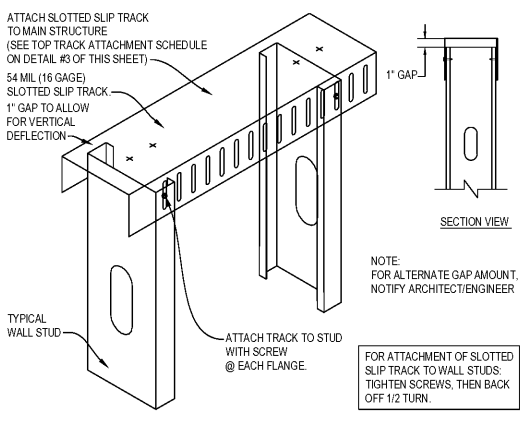
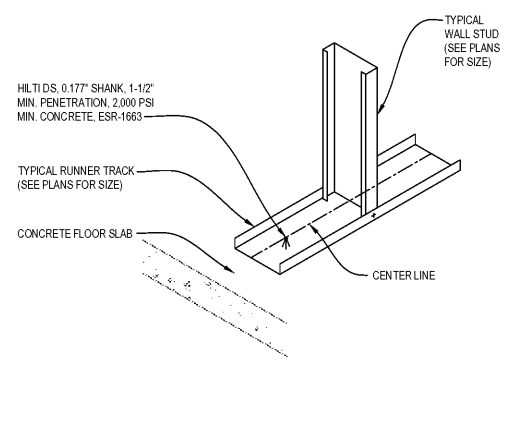


7 CONNECTION DETAILS
SCALE: N.T.S.

6 BLOCKING DETAIL
SCALE: N.T.S.



TOP TRACK ATTACHMENT SCHEDULE

MATERIAL	FASTENER	SPACING	REMARKS
CONCRETE	HLT.I DS, 0.177" SHANK, 1-1/2" MIN. PENETRATION, 2,000 PSI MIN. CONCRETE, ESR-1663, X-U.P.A.F.	32" O.C.	EMBED 1" MINIMUM
STEEL	(1) - #10 SCREW	32" O.C.	MATERIAL ≥ 43 MILS (≥ 18 GA)
	(1) - #10 SCREW	16" O.C.	MATERIAL < 43 MILS (< 18 GA)
OTHER	ATTACHMENT TO BE APPROVED BY DESIGN ENGINEER		

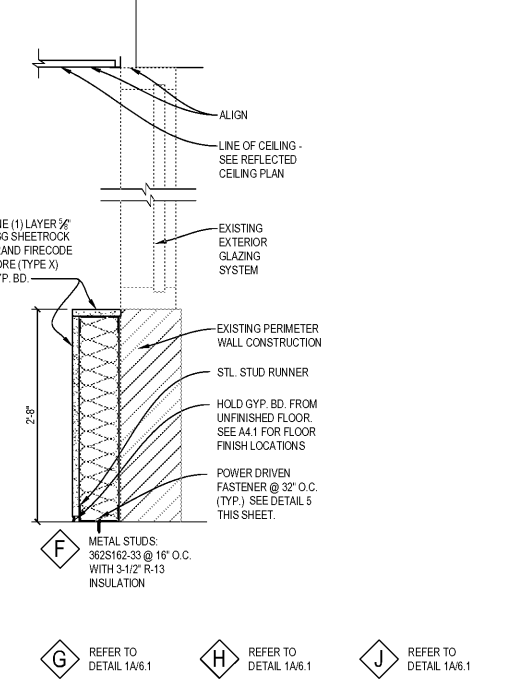
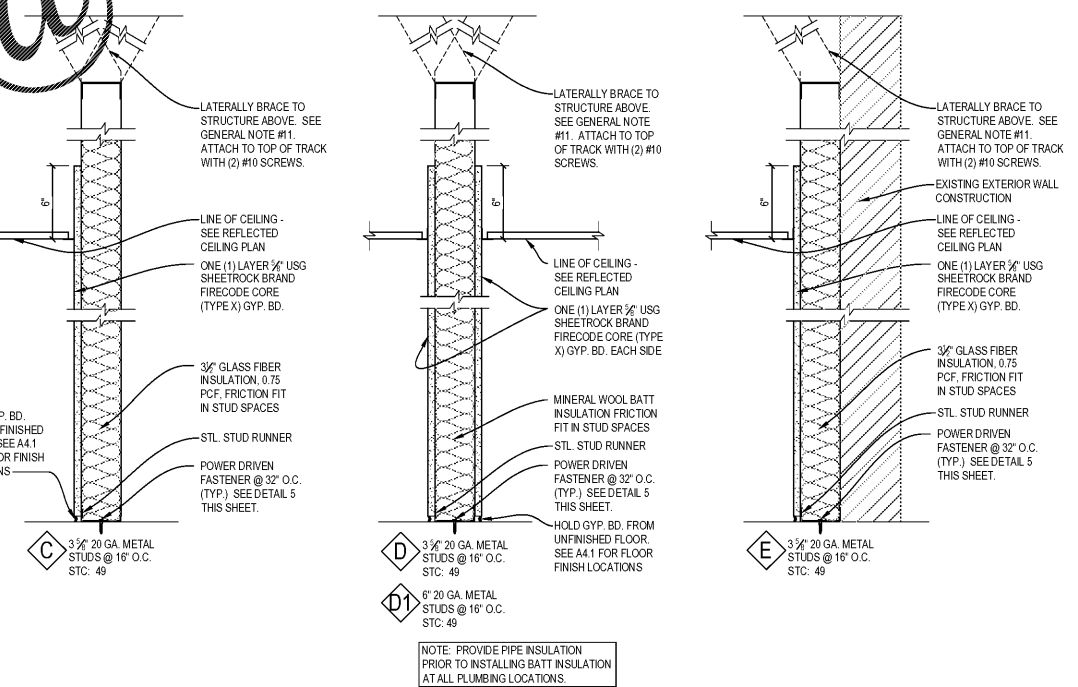
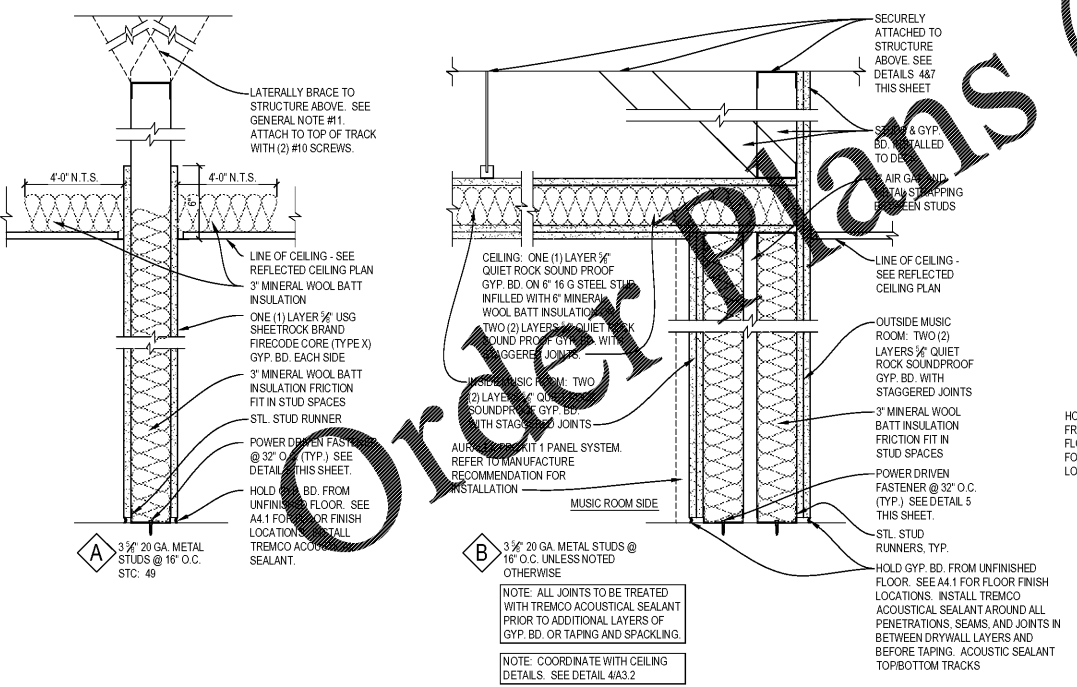
- GENERAL NOTES**
SCALE: NONE
- THE BOTTOM PLATE OF ALL INTERIOR PARTITIONS SHALL BE ATTACHED @ FLOOR W/ 177 SHANK DIA. @ 3/4" PENETRATION @ 32" O.C. POWER DRIVEN FASTENER HLT.I DS, 0.177" SHANK, 1-1/2" MIN. PENETRATION, 2,000 PSI MIN. CONCRETE, ESR-1663.
 - THE TOP TRACK OF EACH FULL HEIGHT WALL SHALL BE ATTACHED DIRECTLY TO THE STRUCTURE WHEN THE WALL IS PERPENDICULAR TO FRAMING. THE TOP TRACK OF EACH FULL HEIGHT WALL SHALL BE ATTACHED DIRECTLY TO BLOCKING WHEN THE WALL IS PARALLEL TO THE STRUCTURE @ 4'-0" O.C.
 - G.C. SHALL FURNISH AND INSTALL MIN 4'-0" HIGH CEMENT BOARD @ FLOOR BEHIND ALL FRP.
 - G.C. SHALL FURNISH AND INSTALL CEMENT BOARD UNDER ALL WALL TILE.
 - ALL COLD FORMED STEEL FRAMING COMPONENTS BY CLARK DIETRICH, ESR1166P.
 - INSTALL COLD-FORMED METAL FRAMING ACCORDING TO TABLE AND AISI'S "STANDARD FOR COLD-FORMED STEEL FRAMING - GENERAL PROVISIONS" AND TO MANUFACTURER'S WRITTEN INSTRUCTIONS.
 - G.C. SHALL FURNISH AND INSTALL ALL ACCESSORIES INCLUDING, BUT NOT LIMITED TO, TRACKS, CLIPS, WEB STIFFENERS, ANCHORS, FASTENING DEVICES, RESILIENT CLIPS, AND OTHER ACCESSORIES REQUIRED FOR COMPLETE AND PROPER INSTALLATION, AND AS RECOMMENDED BY THE MANUFACTURER FOR THE STEEL MEMBERS USED.
 - WATER-RESISTANT GYPSUM BACKING BOARD SHALL BE USED AS A BASE FOR THE TILE IN RESTROOM WALLS INSTALLED IN ACCORDANCE WITH MANUFACTURER RECOMMENDATIONS.
 - FASTENING OF COMPONENTS SHALL BE WITH SELF-DRILLING SCREWS OR WELDING. SCREWS OR WELDS SHALL BE OF SUFFICIENT SIZE TO INSURE THE STRENGTH OF THE CONNECTION. ALL WELDS OF GALVANIZED STEEL SHALL BE TOUCHED UP WITH A ZINC-RICH PAINT. ALL WELDS OF CARBON STEEL SHALL BE TOUCHED WITH PAINT. WIRE TYING OF COMPONENTS SHALL NOT BE PERMITTED.
 - WALLS TO BE BRACED TO STRUCTURE ABOVE USING ALTERNATING STUDS (362S162-33). MAX. UNBRACED LENGTH OF 4'-0". SEE CONNECTION DETAILS THIS SHEET.
 - G.C. TO FURNISH AND INSTALL WOOD BLOCKING WITHIN WALL. PATCH/REPAIR GYP. BD. TO ORIGINAL CONDITION WHEN BLOCKING IS REQUIRED INSIDE EXISTING WALLS.

5 PARTITION DETAIL - TRACK ANCHORAGE
SCALE: N.T.S.

4 PARTITION DETAIL - SLOTTED TRACK
SCALE: N.T.S.

3 PARTITION DETAIL - TOP TRACK
SCALE: N.T.S.

2 GENERAL NOTES
SCALE: NONE



NOTE: PROVIDE PIPE INSULATION PRIOR TO INSTALLING BATT INSULATION AT ALL PLUMBING LOCATIONS.

NOTE: PROVIDE PIPE INSULATION PRIOR TO INSTALLING BATT INSULATION AT ALL PLUMBING LOCATIONS.

1 WALL TYPES
SCALE: 1-1/2"=1'-0"

fusion
FUSION ACADEMY
3540 TORINGDON WAY, STE #100
CHARLOTTE, NC 28277
STUD FRAMING & WALL BLOCKING DETAILS & WALL BLOCKING DETAILS

CA
CHIPMAN DESIGN ARCHITECTURE INC
JOHN CHIPMAN ARCHITECT
1101 EAST FLORENCE AVE
FLOOR 1000
CHARLOTTE, NC 28203
PHONE: 847.798.4950

Revisions
 △ ISSUE FOR PERMIT 08/19/19
 △ ISSUE FOR CLIENT/LL REVIEW 08/23/19
 △ ISSUE FOR BID 08/30/19
 △
 △
 △
 △
 08/19/2019 06/30/2020
 DATE EXPIRATION DATE
 I HEREBY CERTIFY THAT THESE PLANS HAVE BEEN PREPARED UNDER MY SUPERVISION AND THAT TO THE BEST OF MY KNOWLEDGE, THE SAME COMPLY WITH ALL RULES, REGULATIONS AND ORDINANCES OF CHARLOTTE, NC RELATING TO STRUCTURES AND BUILDINGS.
 ARCHITECT
 Drawn By BB Checked By BW
 Scale AS NOTED Date 08/19/19
 Job No. 18-7842
 Sheet No. A2.2