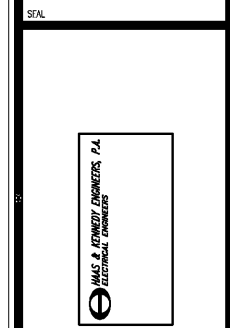
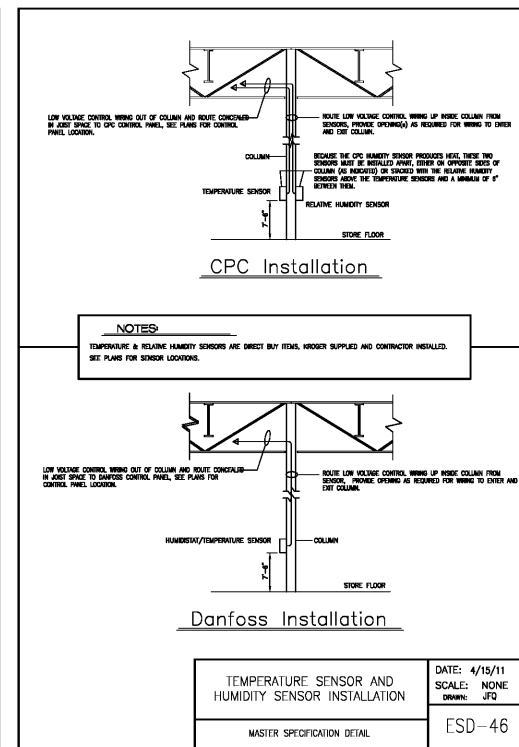
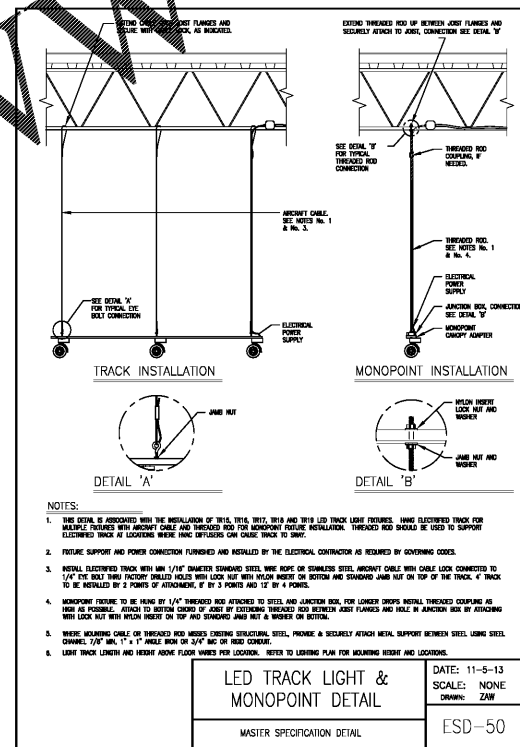
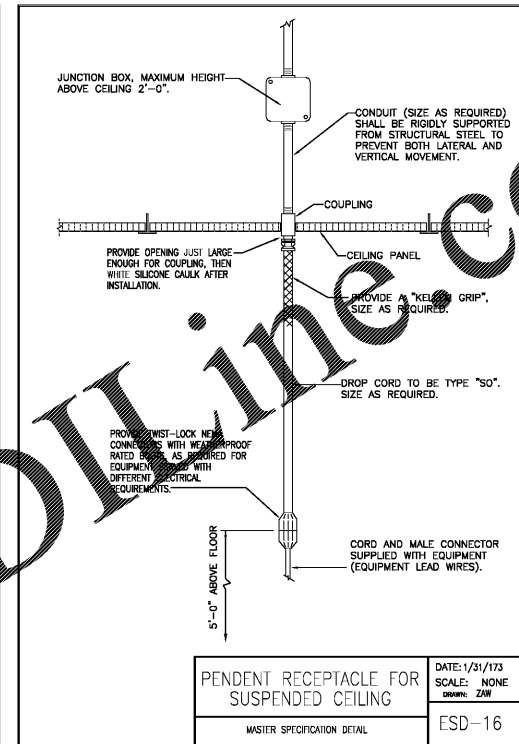
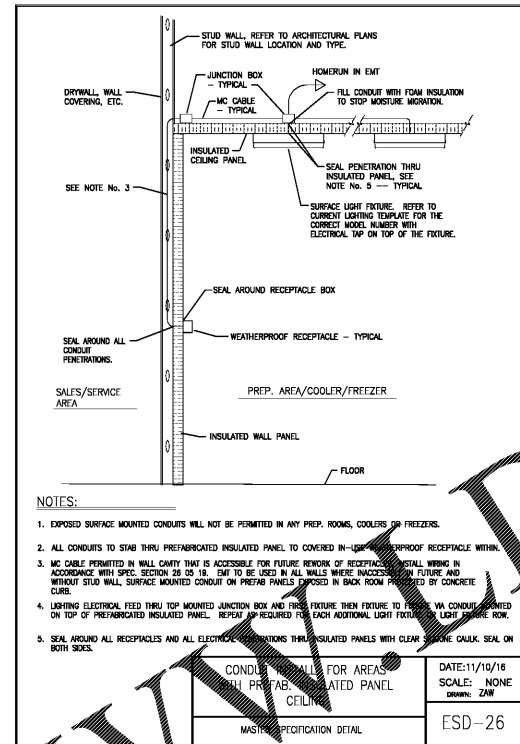
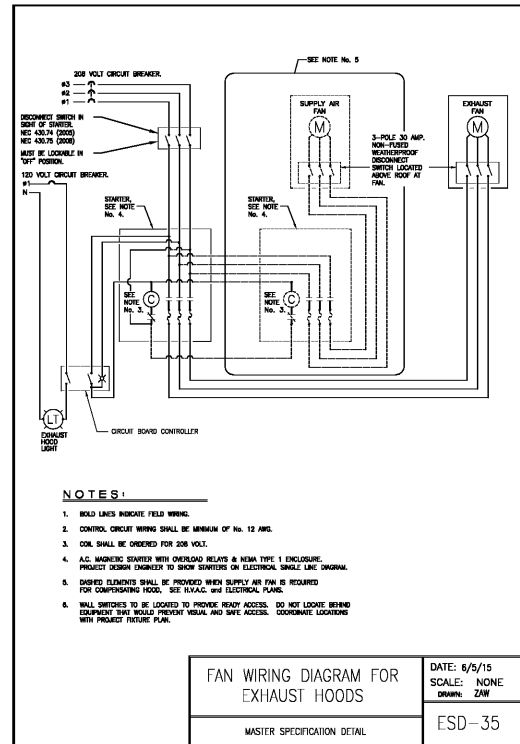
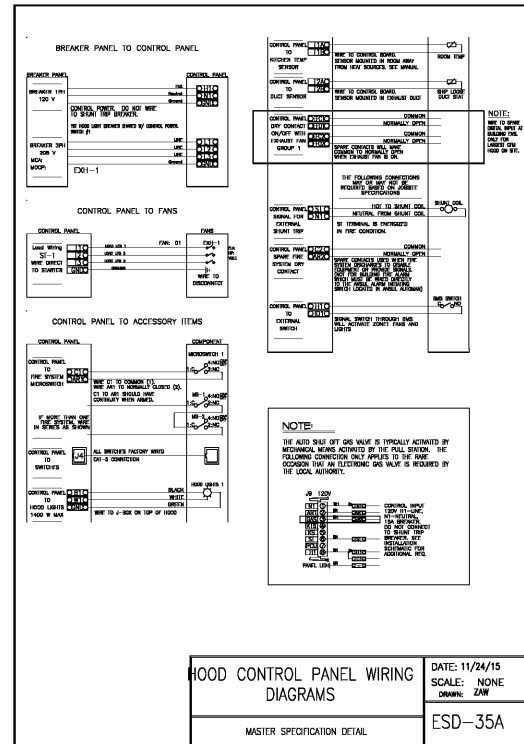


Order Plans @ [www.weldline.com](http://www.weldline.com)



CONSULTANT

A REMODEL FOR:  
**KROGER GA-429**  
730 NORTH MAIN STREET  
CEDARTOWN, GA

PROJECT  
8-12-2019  
DATE CONSTRUCTION SET

**ELECTRICAL STANDARD DETAILS (ESD)**

REVISIONS

MARK DATE DESCRIPTION

PROJECT NO. 18317  
CWD DWG FILE: GA-429.E5.1  
DRAWN BY: WSM  
CHKD BY: HCK

**E5.1**  
SHEET NO.