

HVAC DISTRIBUTION NOTE

IT IS RECOMMENDED NOT TO INSTALL HIGH VELOCITY DIFFUSERS OR HVAC RETURNS WITHIN TEN (10) FEET OF THE EXHAUST HOOD. PERFORATED DIFFUSERS ARE RECOMMENDED.

HOOD INFORMATION - Job#3935836

HOOD NO.	TAG	MODEL	LENGTH	MAX. COOKING TEMP.	APPLIANCE DUTY	DESIGN CFM/ft	TOTAL EXH. CFM	EXHAUST PLENUM RISER(S)						HOOD CONSTRUCTION	HOOD CONFIG.		
								WIDTH	LENG.	HEIGHT	DIA.	CFM	VEL.		S.P.	END TO END	ROW
1	H1: K-0002305	6024 ND-2	10' 0"	450 Deg.	Medium	175	1750			4"	14"	1750	1637	-0.408"	304 SS Where Exposed	ALONE	ALONE

HOOD INFORMATION

HOOD NO.	TAG	TYPE	FILTER(S)			LIGHT(S)			WIRE GUARD	LOCATION	SIZE	UTILITY CABINET(S)				FIRE SYSTEM PIPING	HOOD HANGING WGT
			QTY.	HEIGHT	LENGTH	EFFICIENCY @ 7 MICRONS	QTY.	TYPE				FIRE SYSTEM	SIZE	ELECTRICAL	SWITCHES		
1	H1: K-0002305	SS Baffle with Handles	7	16"	16"	30%	3	L55 Series E26	NO						YES	451 LBS	

HOOD OPTIONS

HOOD NO.	TAG	OPTION
1	H1: K-0002305	FIELD WRAPPER 17.00" High Front, Left, Right SENSOR-CV

Fire System Information - Job#3935836

FIRE SYSTEM NO.	Tag	TYPE	SIZE	FLOW POINTS	INSTALLATION	
					SYSTEM	LOCATION ON HOOD
1		Ansil R102	3.0	2	Wall Mount Right	N/A

CAPTIVE-AIRE HOODS ARE BUILT IN COMPLIANCE WITH UL 710 AND NFPA 96 AND ARE RECOGNIZED BY ONE OR MORE OF THE FOLLOWING:

ETL SANITATION LISTED
ETL LISTED FILE# 102900319PRT-001

THE FOLLOWING OPTIONAL ITEMS ARE NOT INCLUDED AS PART OF THE KROGER QUICK SELECT PROGRAM AND MUST BE SPECIFIED SEPARATELY IF NEEDED:

- EXTENDED WRAPPERS FOR CEILING HEIGHTS TALLER THAN 10'0" AFF.
- INSULATION FOR CLEARANCE REDUCTION.
- SS BACKSPLASH WALL PANELS.
- GAS SHUTOFF VALVE.

UL 300 HOOD FIRE SUPPRESSION SYSTEM

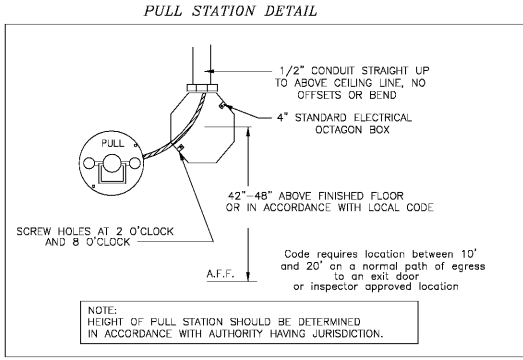
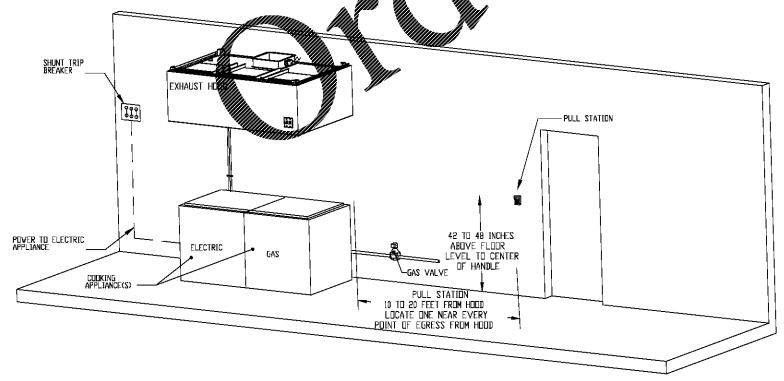
FIRE SYSTEM OPERATION

- KITCHEN HOOD SHALL BE CONSTRUCTED AND INSTALLED PER NFPA 96.
- HOOD ELECTRICAL CONTROL PANEL AND FIRE CONTROL SYSTEM SHALL SHUT DOWN KITCHEN HOOD MAKE UP AIR FAN UPON ACTIVATION OF FIRE EXTINGUISHING SYSTEM. KITCHEN HOOD EXHAUST FAN SHALL CONTINUE TO OPERATE OR POWER ON UPON ACTIVATION. THE HOOD ELECTRICAL PANEL AND FIRE SYSTEM WILL PROVIDE MEANS OF INTERLOCK FOR AUTOMATIC OPERATION OF THE SUPPRESSION SYSTEM WITH:
 - GAS VALVE AND/OR SHUNT TRIP BREAKER AS NEEDED FOR FUEL SHUTOFF.
 - HOOD SUPPLY AND EXHAUST FAN
 - REMOTE MANUAL PULL STATION
 - FIRE ALARM SYSTEM NOTIFICATION
- SEE HOOD DRAWINGS FOR DETAILS.
- ALL EXPOSED PIPING WITH FIRE SUPPRESSION SYSTEM SHALL BE CHROME PLATED BRASS, STAINLESS STEEL, OR COVERED WITH CHROME SLEEVE.
- MECHANICAL CONTRACTOR SHALL INSTALL CONDUIT IN WALL FOR MANUAL PULL STATION. PULL STATION SHALL BE LOCATED AT OR NEAR A MEANS OF EGRESS FROM THE COOKING AREA.
- FIRE SUPPRESSION SYSTEM SHALL BE IN ACCORDANCE WITH NFPA96 AND UL 300.

NFPA96 REQUIREMENTS FOR FUEL SHUTOFF IN THE EVENT OF A FIRE:

UPON ACTIVATION OF ANY FIRE-EXTINGUISHING SYSTEM FOR A COOKING OPERATION, ALL SOURCES OF FUEL AND ELECTRICAL POWER THAT PRODUCE HEAT TO ALL EQUIPMENT REQUIRING PROTECTION BY THAT SYSTEM SHALL AUTOMATICALLY SHUT OFF.

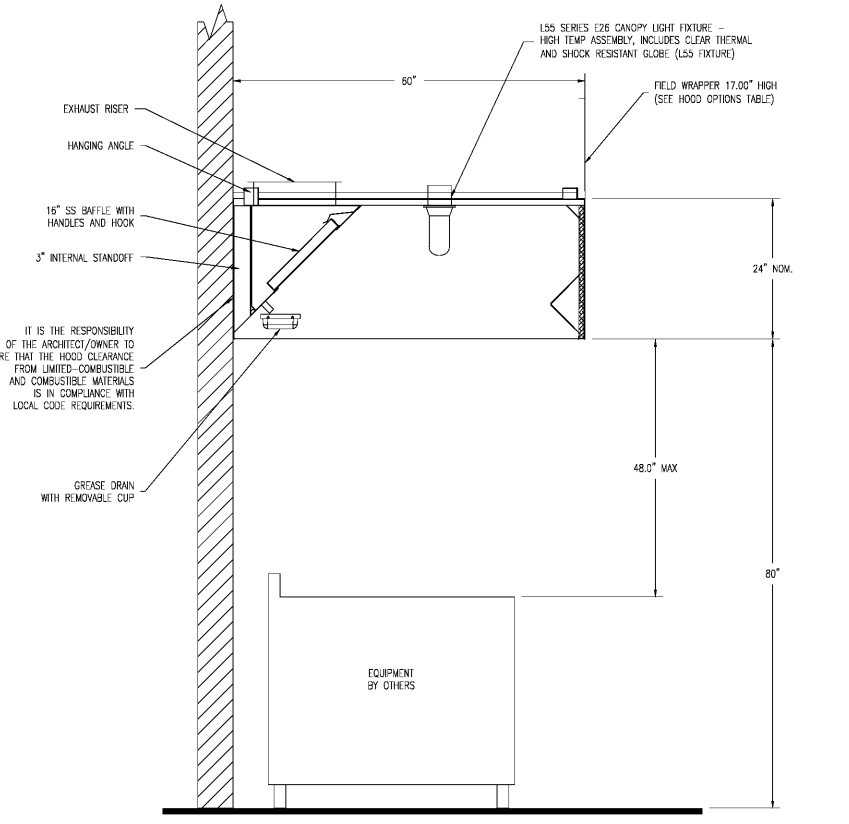
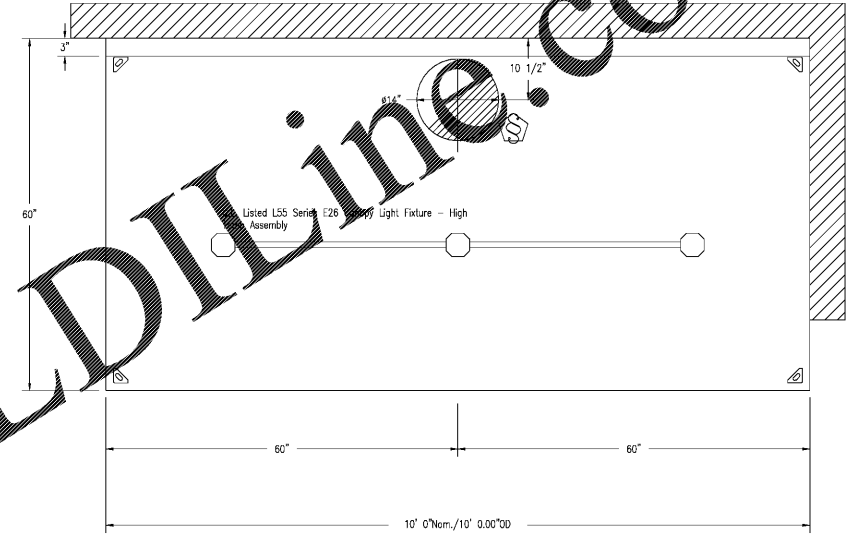
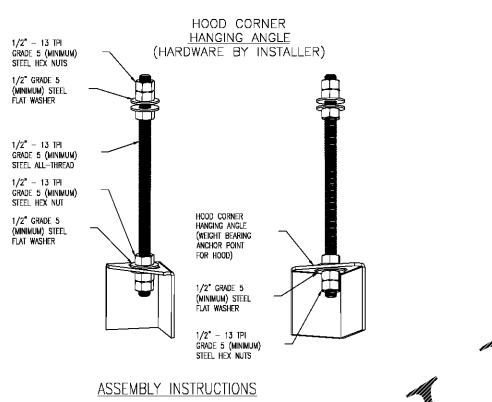
SHUTOFF DEVICES SHALL REQUIRE MANUAL RESET.



THE ANSUL INC. MODEL R-102 WET-CHEMICAL-SOLUTION EXTINGUISHING SYSTEM IS A UL300 SYSTEM:

UL LISTED UNDER EX-3470
ULC LISTED UNDER CFS-747

AND MEETS THE REQUIREMENTS OF NFPA 96 AND NFPA 17A.



SECTION VIEW - MODEL 6024ND-2 HOOD - #1 (H1: K-0002305)



J. B. Cobb Engineering, LLC
Mechanical/Industrial
97 Lakeland Drive
Dallas, GA 30132
Office: (678) 363-8754
Fax: (678) 363-8754
Cell Phone: (404) 403-2126
jbcobb@bellsouth.net

KROGER GA-429
730 NORTH MAIN STREET
CEDARTOWN, GA

8-12-2019
CONSTRUCTION SET

HVAC DETAILS

NO.	DATE	DESCRIPTION

M5.1