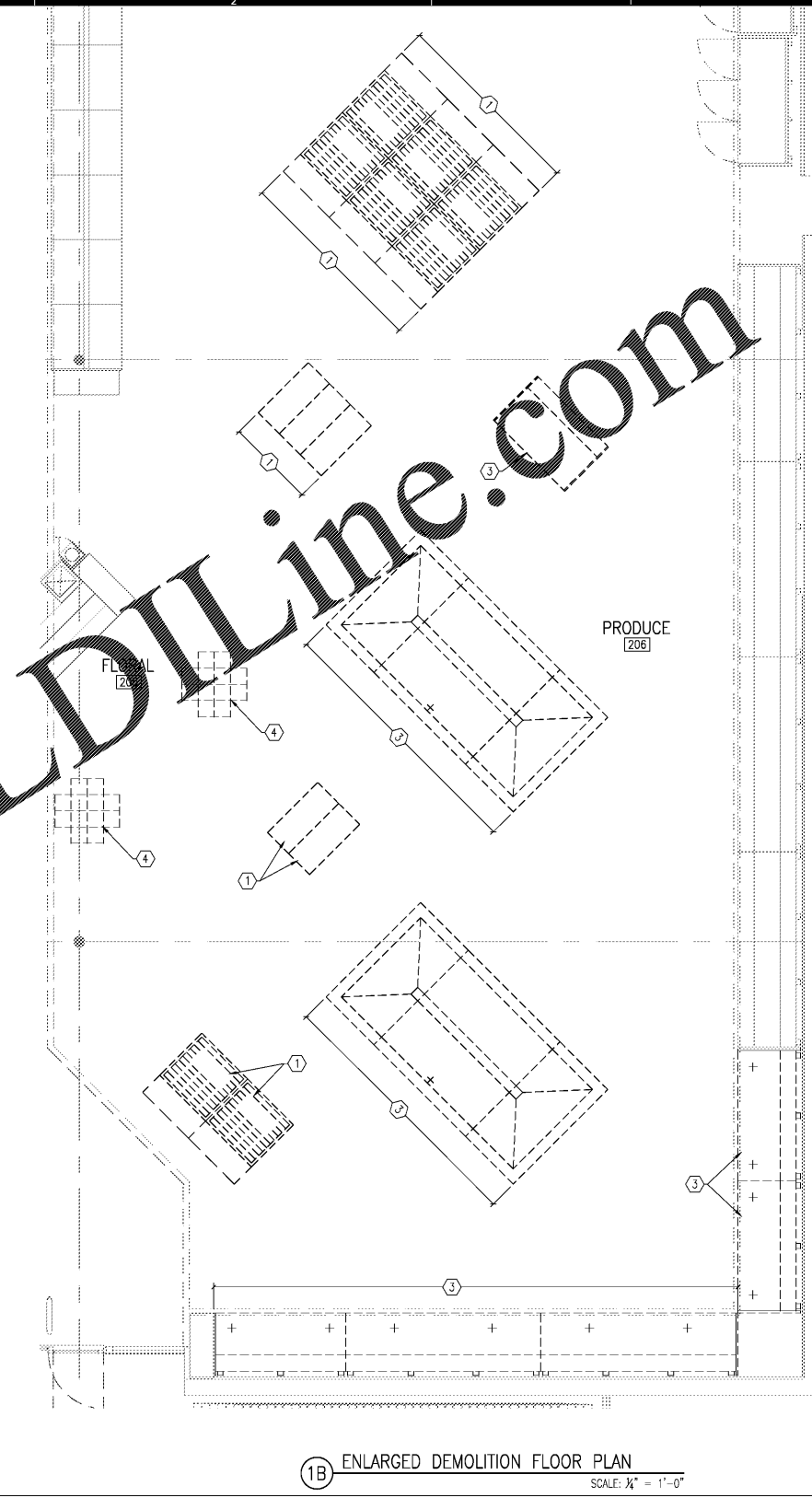
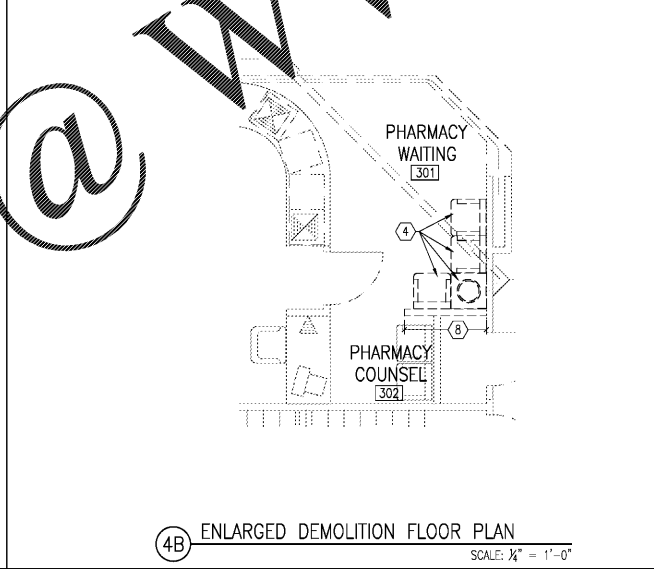
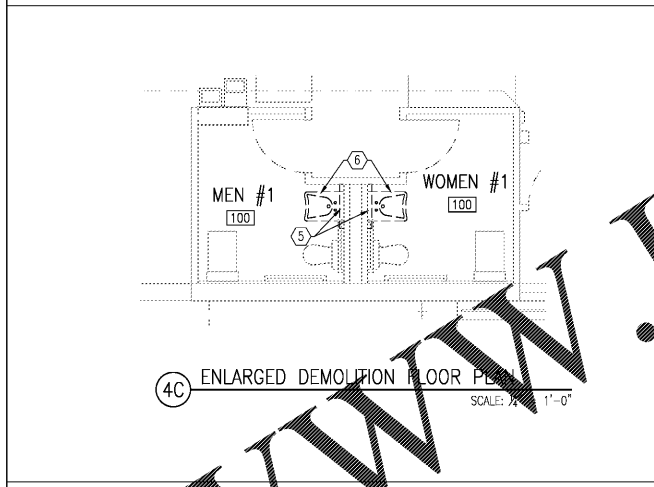
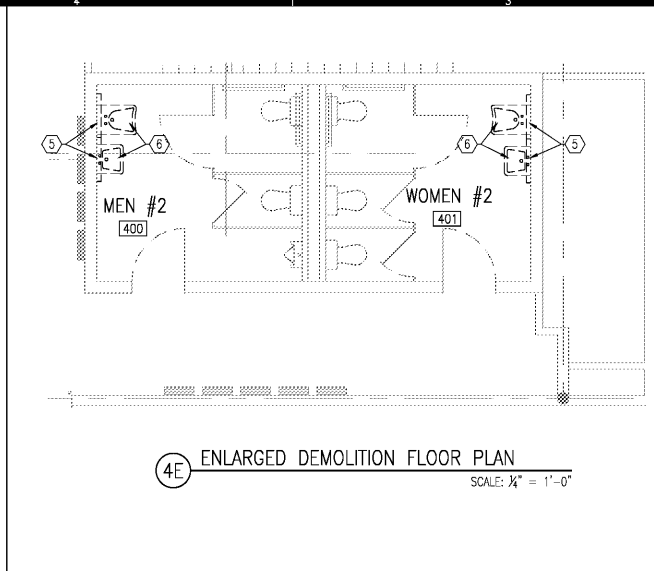
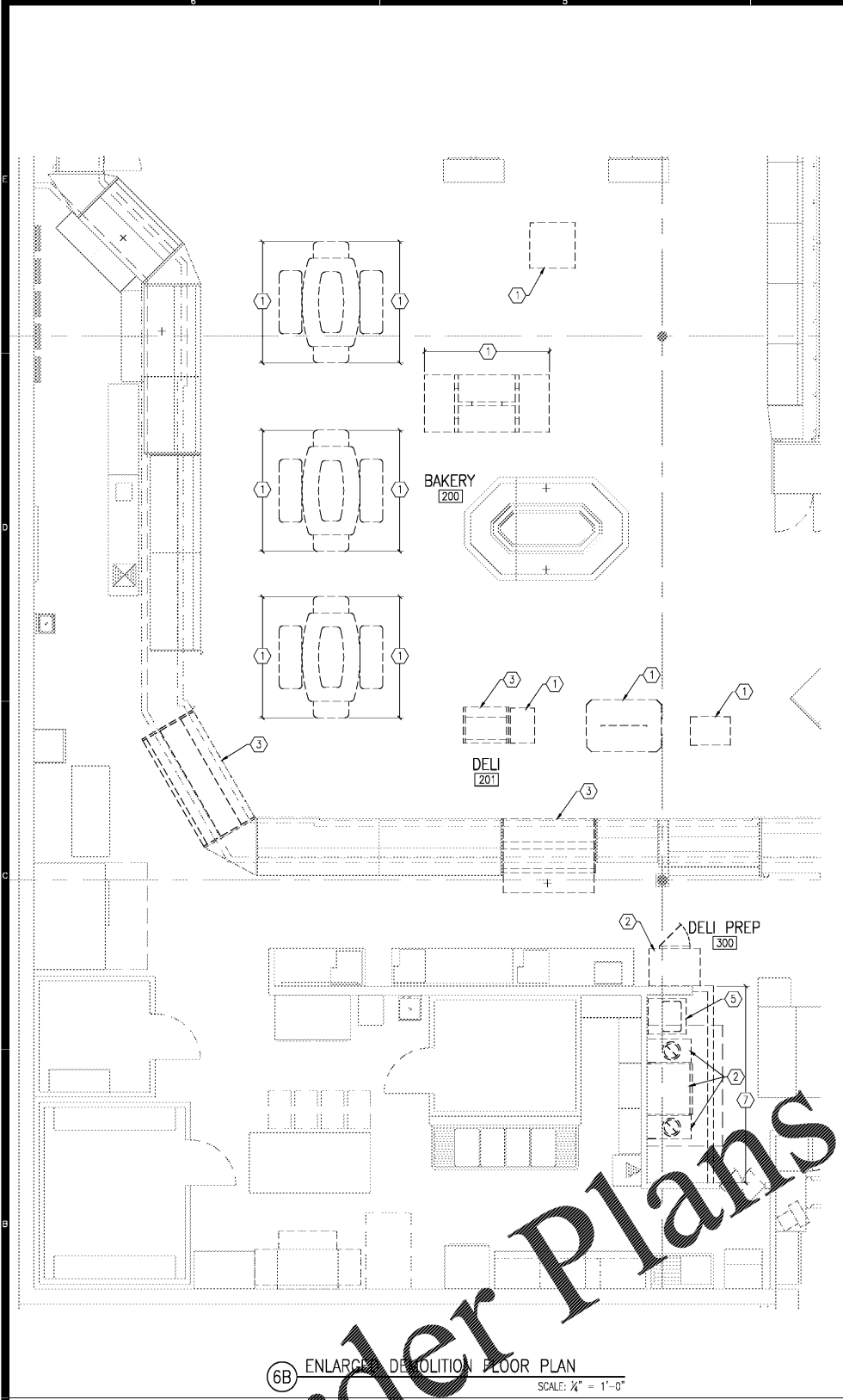


NO.	DATE	DESCRIPTION

PROJECT NO: CPS2019-080.4
CAD DWG FILE: CPS2019-080.4-AD4.1
DRAWN BY: JMH
CHK'D BY: JMH/LEN



PLAN NOTES

- REMOVE & DISPOSE OF EXISTING FIXTURE. NO ELECTRICAL OR PLUMBING WORK REQUIRED.
- REMOVE & DISPOSE OF EXISTING FIXTURE. SEE ELECTRICAL AND/OR PLUMBING DRAWINGS FOR MORE INFORMATION.
- REFRIGERATION CONTRACTOR TO REMOVE & DISPOSE OF FIXTURE. SEE ELECTRICAL, PLUMBING AND/OR REFRIGERATION DRAWINGS FOR MORE INFORMATION. GENERAL CONTRACTOR TO COORDINATE.
- REMOVE & RELOCATE EXISTING FIXTURE. NO ELECTRICAL OR PLUMBING WORK REQUIRED.
- REMOVE & DISPOSE OF EXISTING WALL HUNG MIRROR COMPLETE.
- REMOVE & DISPOSE OF EXISTING WALL HUNG SINK. SEE PLUMBING DRAWINGS FOR MORE INFORMATION.
- REMOVE & DISPOSE OF EXISTING HOOD & ASSOCIATED BULKHEAD COMPLETE INCLUDING ALL HARDWARE, SUSPENSION WIRE/RODS, ETC. REMOVE ASSOCIATED FIRE SUPPRESSION SYSTEM COMPLETE UNLESS IT IS TO BE RE-USED FOR NEW HOOD. SEE ELECTRICAL AND HVAC DRAWINGS FOR MORE INFORMATION.
- REMOVE & DISPOSE OF EXISTING WALL PARTITION COMPLETE INCLUDING ANY ASSOCIATED UTILITIES. SEE ELECTRICAL DRAWINGS FOR MORE INFORMATION. REPORT TO ARCHITECT IF ANY PLUMBING UTILITIES ARE DISCOVERED ASSOCIATED WITH PARTITION PRIOR TO REMOVAL.

GENERAL NOTES

- EXISTING FIRE PROTECTION SPRINKLER SYSTEM, FIRE ALARM AND SMOKE ALARM SYSTEMS TO REMAIN INTACT AND FUNCTIONAL DURING CONSTRUCTION PROCESS.
- THE OWNER SHALL HAVE THE OPTION TO RECLAIM ANY FIXTURE REQUIRING REMOVAL PRIOR TO DISPOSAL.
- REFER TO ELECTRICAL AND PLUMBING DRAWINGS FOR MORE INFORMATION ON DEMOLITION WORK RELATED AND REQUIRED.
- REMOVE & DISPOSE OF ANY EXISTING CORNER GUARD, NOT INDICATED ON DRAWINGS BUT OCCURRING AND NOT REQUIRED FOR NEW FIXTURE LOCATIONS, AND ANY ASSOCIATED IN-SLAB SLEEVE WHERE OCCURS. PATCH FLOOR WHERE HOLE OCCURS W/ GROUT AS RECOMMENDED BY FLOOR DYE CONTRACTOR.
- FURNISH & INSTALL TEMPORARY PARTITIONS TO SEPARATE WORK AREAS FROM AREAS ACCESSIBLE TO THE PUBLIC USING PARTITIONS PER ASD-162A/A5.1.

Order Plans

@

WWW.LDLine.com