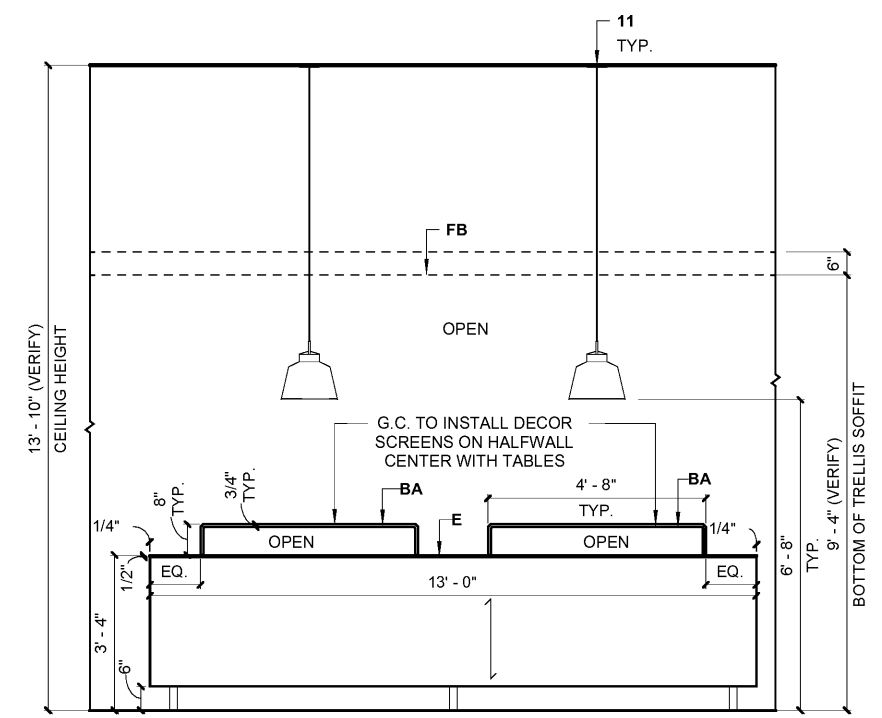
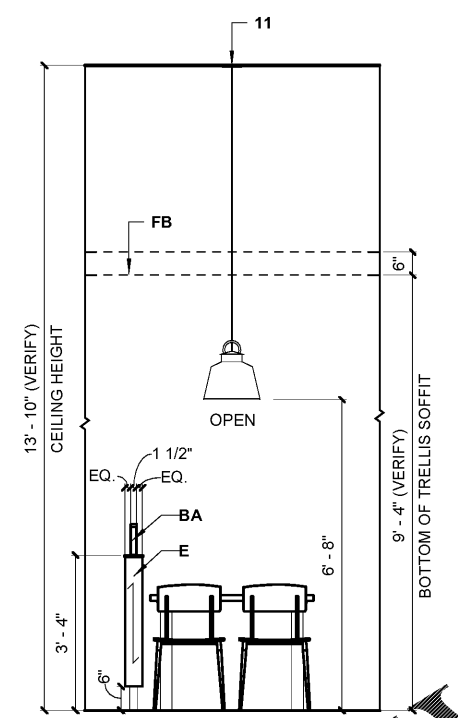


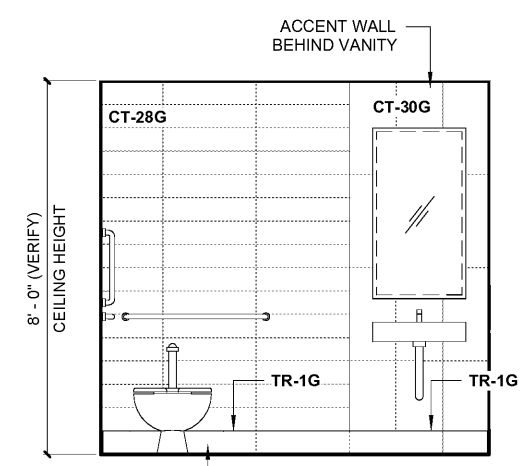
NOTE:
 - THIS IS PROPRIETARY TO EIS. ANY UNAUTHORIZED USE OR REPRODUCTION IS STRICTLY PROHIBITED.
 - IF SPECIFIED ITEMS ARE NOT AVAILABLE, PLEASE CONTACT EIS IMMEDIATELY.
 - WRITTEN DIMENSIONS HAVE PRECEDENCE OVER SCALE IN ALL CASES.
 - SERVICE COUNTER FINISHES TO WRAP AROUND END OF COUNTER.
 - BOTTOM OF PENDANT LIGHTS TO BE PLACED AT DESIGNATED HEIGHTS.



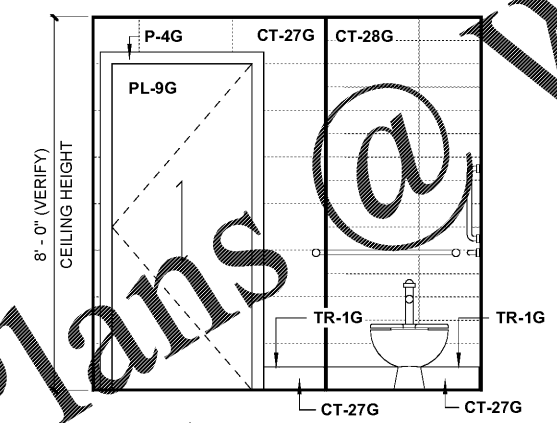
J ELEVATION
 3/8" = 1'-0"



K ELEVATION
 3/8" = 1'-0"



L ELEVATION
 3/8" = 1'-0"



M ELEVATION
 3/8" = 1'-0"

Order Plans @ WWW.LDILine.com



Account Executive
Donnie Harrison
 706-604-7680
 donnie.harrison@eikay.com

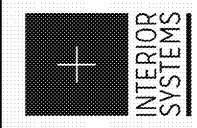
Drawn By
DP
 Date:
06/11/2019

Contact
Bruce Daniels
 646-462-5481
 bruce.daniels@carolinatranchis Holdings.com

Designer
Grace Schneider
 414-847-0748
 grace.schneider@eikay.com

Location
 206 Longstreet St
Kingstree, SC
 29556

Project Manager
Ryan Spannagle
 414-847-0658
 ryan.spannagle@eikay.com



REV	DATE	DESCRIPTION	BY
	06/11/19	Bid Set Created	GS
	06/14/19	Brand Review Approved	GS
	06/18/19	Final Set Created	GS/KD

Project Number
112891

Sheet Title
Elevations

Sheet
I-5b

