

DRAWING INFORMATION		
DATE	DESCRIPTION	BY
08-01-19	FOR CONSTRUCTION	KM

N-C-A
CONSULTANTS / GROUP
4585 140TH AVE. NORTH, SUITE #1001
CLEARWATER, FLORIDA
PHONE: (877) 530-0078
CALL NCA MARKETING FOR PRICING
NCA JOB# 19938

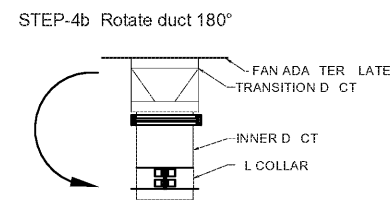
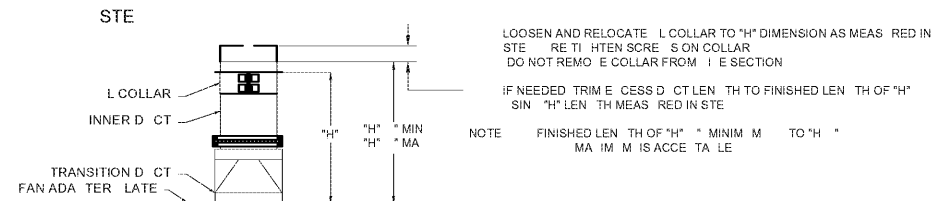
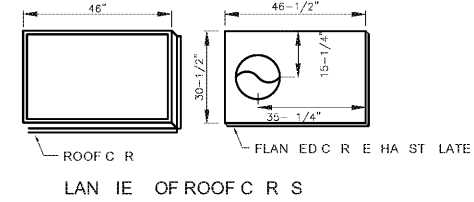
B1916	
DATE	RELEASE
	FOR CONSTRUCTION

CHECKED BY: AK
DRAWN BY: CY

NOTE:
THESE DRAWINGS ARE THE PROPERTY OF ARIE KOHN ARCHITECTS, P.C. AND SHALL NOT BE USED, REPRODUCED, AND/OR MODIFIED WITHOUT WRITTEN CONSENT FROM ARIE KOHN ARCHITECTS, P.C.

A COORDINATE WITH THE LATEST FITCHEN'S PLANS PRIOR TO INSTALLATION OF CURTAIN WALL GENERAL CONTRACTOR MARK AND L.M. OF THE LOCATION OF THE ROOF AND ENIN FROM FLOOR TO DEC
C LACE CURTAIN ENIN DIMENSION IEN ELO
D EN REASE FLAN EARRIES LACE ON CURTAIN RO AND ENIN IN DEC

HVAC CONTRACTOR SHALL NOT DISASSEMBLE THE EXHAUST FAN TO RECONFIGURE THE EXHAUST DISCHARGE



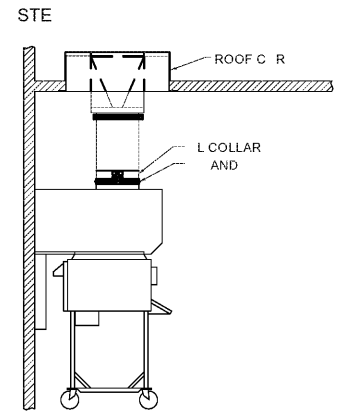
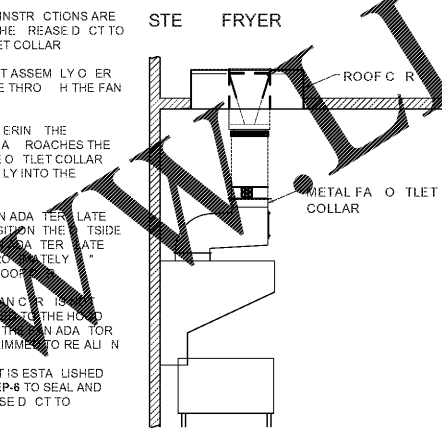
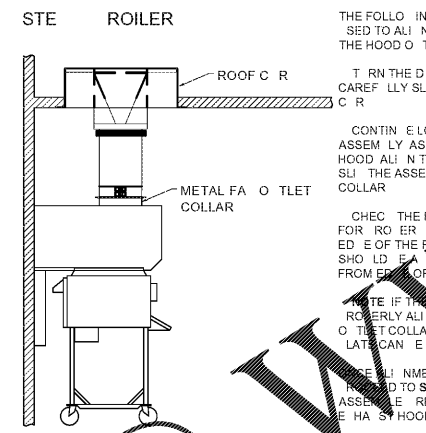
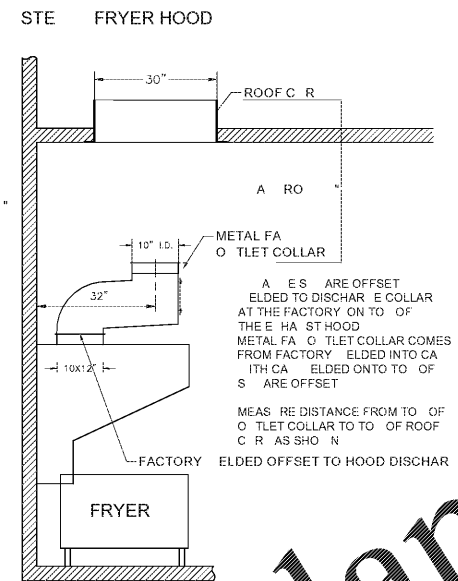
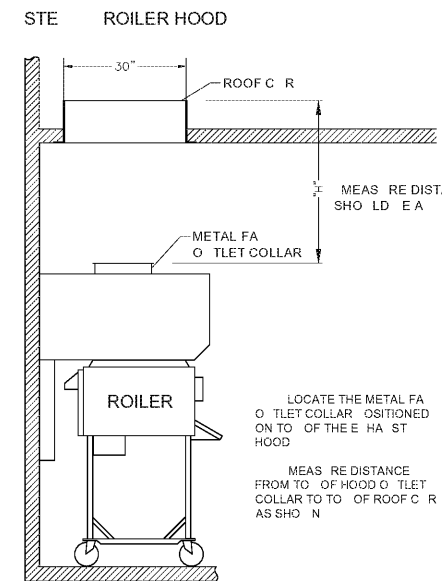
IPIC-3G Factory-Milt Grease Duct Installation Instructions
Specific for Burger King Restaurant Installation
(Forward Discharge Assembly)

Note: These instructions have been developed in coordination for use with kitchen exhaust hood manufactured by Gaylord, H&K, and Franke.

GENERAL INFORMATION
Metal-Fab Model IPIC-3G Grease Duct is "Listed" by Underwriters Laboratories for kitchen exhaust duct applications for continuous operation at 500° F and intermittent operation at 2000° F. IPIC-3G is further "Classified" by Underwriters Laboratories as equivalent to a 2-hr. fire rated grease duct enclosure as per UL 203 test standard and listed for 7-0 inch clearance to combustibles for sizes up to and including 24-inch inside diameter.

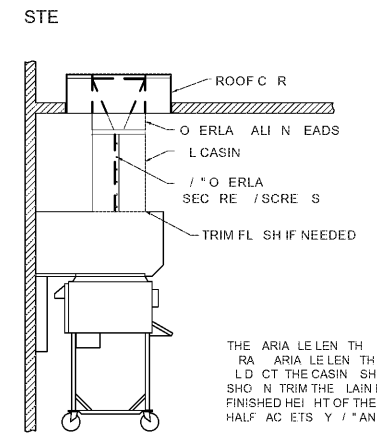
During installation, field application of factory-supplied insulation must be installed at joints and on variable length / Adjustable length components. Do not substitute insulation with other makes or brands. Upon completion of installation, 2 layers of 1.5-inch insulation (supplied by manufacturer) must be applied directly around the inner duct as described in these instructions in order to maintain the 7-0-inch clearance to combustibles rating as per the manufacturer's UL listing.

FOR QUESTIONS CALL METAL-FAB @ 1-800-835-2830 X 4165

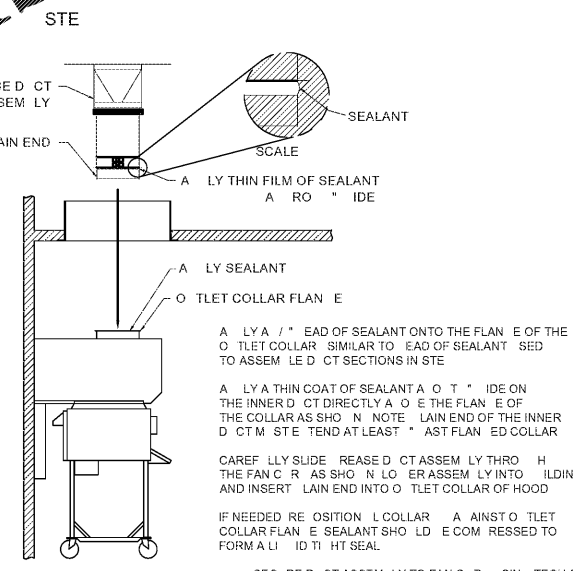
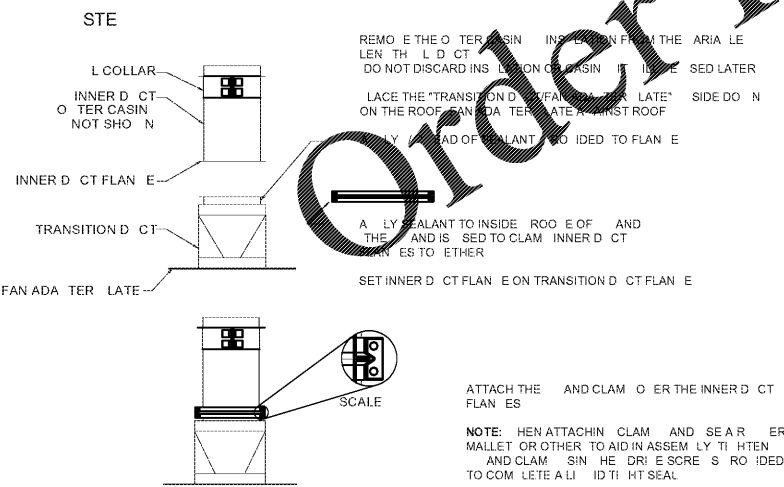


APPLY A BEAD OF SEALANT TO HOOD AND CLAMP AND ATTACH TO HOOD AS SHOWN REF TO STEP 1

TIGHTEN SCREWS ON L COLLAR FOR MORE POSITIVE SEAL. APPLY SEALANT TO L COLLAR SLOT AND FLARED OUT END OF COLLAR PRIOR TO TIGHTENING SCREWS



THE AREA BETWEEN L CASIN IS MADE OF HALF ACETES RARE AREA LENGTH L CASIN COME LATELY AROUND THE INSULATED L DUCT THE CASIN SHOULD BE ERLA THE DUCT AREA OF THE LAST SHOWN TRIM THE LAIN END OF L CASIN AS NEEDED TO FIT THE FINISHED HEIGHT OF THE AREA LENGTH L O ERLA SEAMS OF THE HALF ACETES Y / Y AND SECURE WITH SCREWS RIGID



SECTION 6. HVAC CONTRACTOR SHALL PROVIDE AND INSTALL HIGH TEMP SEALANT OR GASKET TO THE OUTER PERIMETER OF THE GREASE FLANGE.

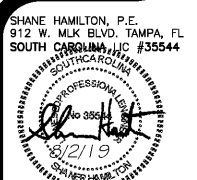
© Copyright 2019- Drawings, specifications, notes, database, computer files, field data, and reports as instruments of service prepared by the Design of Record. As instruments of services, these items remain the property of the Design of Record, who shall retain all statutory and other reserved rights, including the copyright thereto. Any use, reproduction or changes to these documents without written consent of NCA Consultants is a violation of federal copyright laws.

Order Plans @ WWW.DIline.com

DRAWINGS FOR:
BRUCE DANIELS
CAROLINA FRANCHISE
HOLDINGS, LLC
P.O. BOX 711
GREENWOOD, SC 29648



AKA
ARIE KOHN ARCHITECTS, P.C.
74 WOODSTOCK ROAD, ROSWELL, GA. 30075
TEL: (770) 642-8030 FAX: (770) 642-3755
EMAIL: arie@akohnarch.com



PROJECT: B1916
DATE: 07/22/2019
206 LONGSTREET ST.
KINGSTREE, SC 29556
BURGER KING RESTAURANT
HOOD DUCT INSTALLATION DETAILS