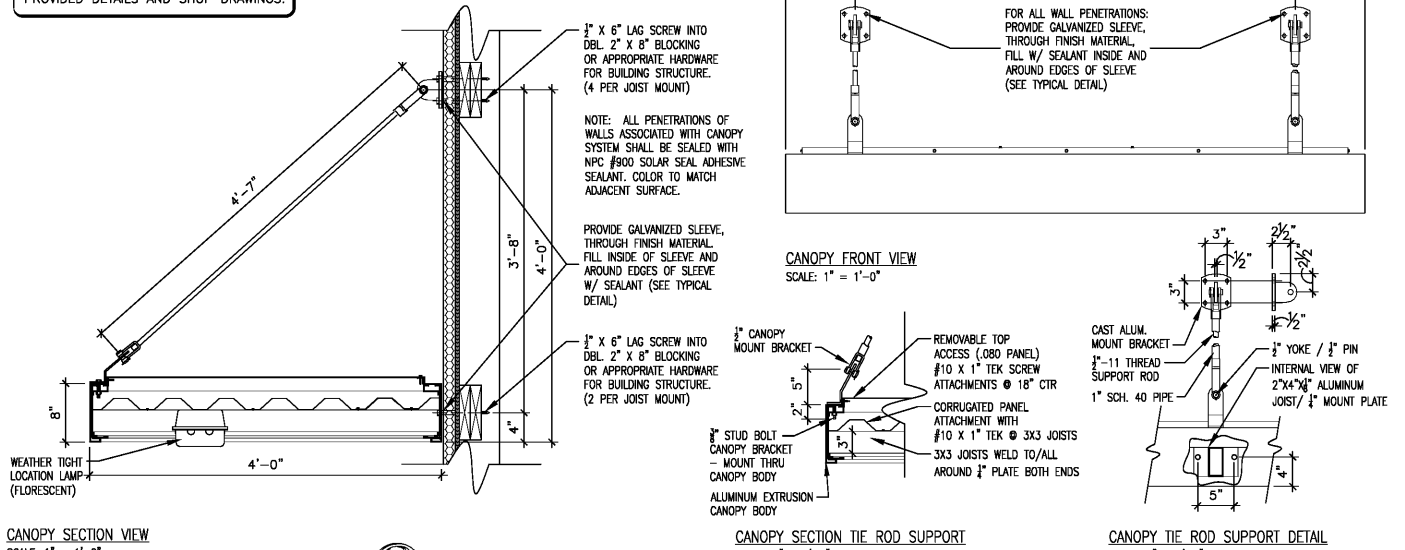


DATE	RELEASE
08.26.19	FOR CONSTRUCTION

CHECKED BY: AK
DRAWN BY: CY

NOTE: THESE DRAWINGS ARE THE PROPERTY OF ARIE KOHN ARCHITECTS, P.C. AND SHALL NOT BE USED, REPRODUCED, AND/OR MODIFIED WITHOUT WRITTEN CONSENT FROM ARIE KOHN ARCHITECTS, P.C.

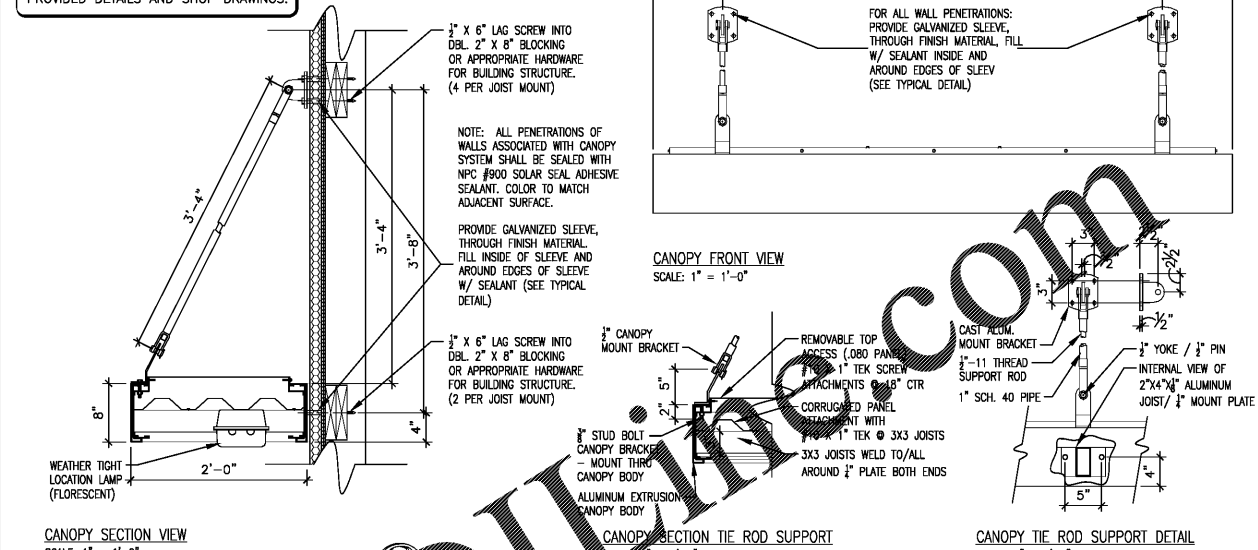
NOTE: CANOPY DETAILS FOR INFORMATION ONLY. CANOPY MANUFACTURER WILL PROVIDE DETAILS AND SHOP DRAWINGS.



 Uni-Structures, Inc. 8540 Cobb Center Dr., Ste 100 Kennesaw, GA 30152	CLIENT:	STORE #: ###	
	LOCATION: N/A	DWG #: 4969	
	FILE LOCATION: DWG\US\BURGER KING\JOBS 2010	SCALE: 1" = 1'-0"	DATE: 07-16-10
	SALES: N/A	DESIGNER: CJ MAYS	PAGE 3 OF 3

**4FT. 20/20
BURGER KING
BUILDING CANOPY**

NOTE: CANOPY DETAILS FOR INFORMATION ONLY. CANOPY MANUFACTURER WILL PROVIDE DETAILS AND SHOP DRAWINGS.



 Uni-Structures, Inc. 8540 Cobb Center Dr., Ste 100 Kennesaw, GA 30152	CLIENT:	STORE #: ###	
	LOCATION: N/A	DWG #: 4969	
	FILE LOCATION: DWG\US\BURGER KING\JOBS 2010	SCALE: 1" = 1'-0"	DATE: 07-16-10
	SALES: N/A	DESIGNER: CJ MAYS	PAGE 2 OF 3

**2FT. 20/20
BURGER KING
BUILDING CANOPY**

CANOPY DETAILS FOR INFORMATION ONLY. CANOPY MANUFACTURER WILL PROVIDE DETAILS AND SHOP DRAWINGS.

Order Plans @ WWW.ARIEKOHNARCHITECTS.COM

DRAWINGS FOR:
**BRUCE DANIELS
CAROLINA RE HOLDINGS, LLC**
P.O. BOX 711
GREENWOOD, SC 29649
646-462-5481

ARIE KOHN ARCHITECTS, PC
74 WOODSTOCK ROAD, ROSWELL, GA 30075
TEL: (770) 642-9030 FAX: (770) 642-3785
EMAIL: arie@akohmarch.com



PROJECT: B1916
DATE: 07/22/2019
**BURGER KING
RESTAURANT**
206 LONGSTREET, ST. KINGSTREE, SC 29556
CANOPY DETAILS (REFERENCE ONLY)