

WATER RESISTIVE BARRIER COATING TO BE "STO GOLD COAT" READY FLUID MIXED FLEXIBLE WATER PROOF AIR BARRIER OR EQUAL APPROVED BY EIFS/NICHIHA MANUFACTURER WHEN APPLICABLE. ALL PENETRATIONS TO BE SEALED WATER AND AIR TIGHT. PRODUCT TO BE INSTALLED FOLLOWING ALL MANUFACTURER'S INSTRUCTIONS AND TO INCLUDE ALL OTHER REQUIRED ACCESSORIES AND MATERIALS TO OBTAIN FULLY WATER PROOF AND AIR BARRIER SYSTEM.

NOTE:  
EIFS PRODUCT TO BE INSTALLED OVER WATER RESISTIVE BARRIER COATING PER EIFS SYSTEM

NOTE:  
1. PROVIDE R-19 INSULATION FROM FLOOR TO ROOF DECK IN ALL 2x6 EXT WALLS  
2. REFER TO DECOR SHEETS FOR WALL FINISHES

NOTE:  
HATCHING INDICATES EXISTING STRUCTURE TO REMAIN



**Arie Kohn Architects, P.C.**  
74 WOODSTOCK ROAD ROSWELL, GA 30075  
TEL (770) 642-9030 FAX (770) 642-3785  
EMAIL: arie@akmarch.com



PROJECT: B1916  
DATE: 07/27/2019  
206 LONGSTREET, ST. KINGSTREE, SC 29556

**BURGER KING RESTAURANT**



BRUCE DANIELS HOLDINGS, LLC  
CAROLINA RE HOLDINGS, LLC  
P.O. BOX 711  
GREENWOOD, SC 29649  
646-462-5481

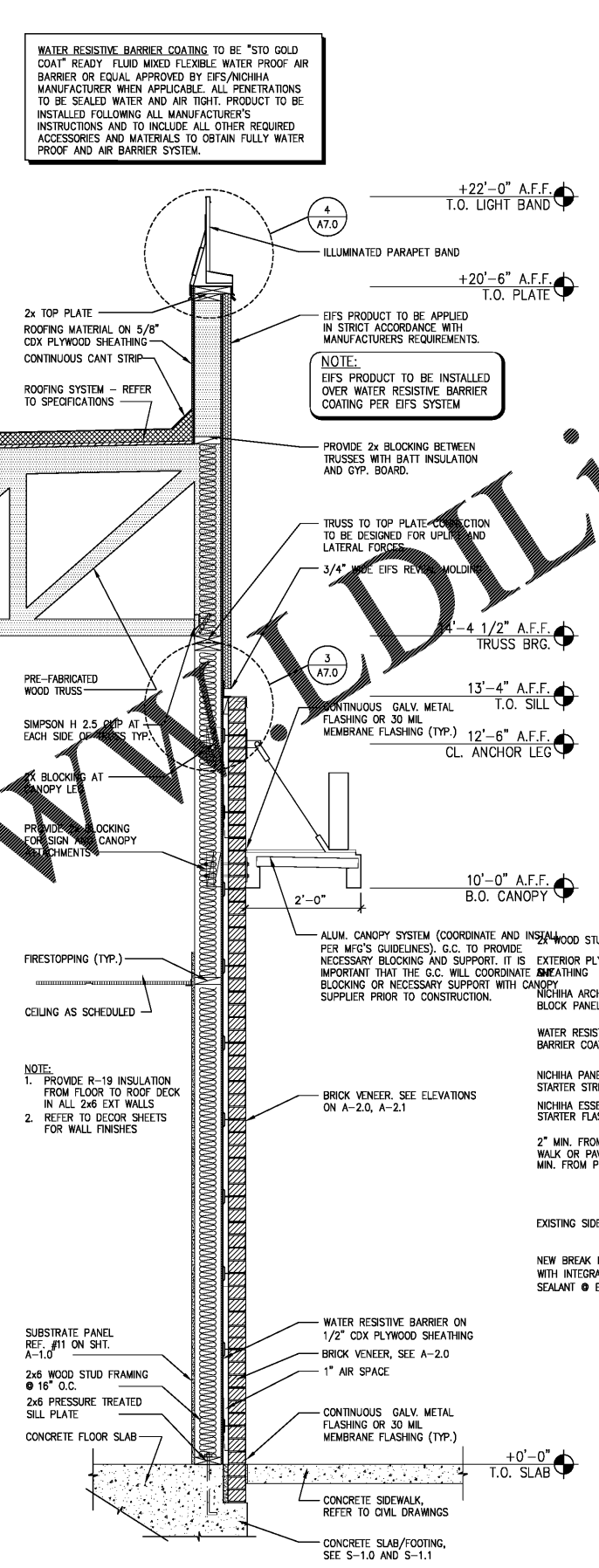
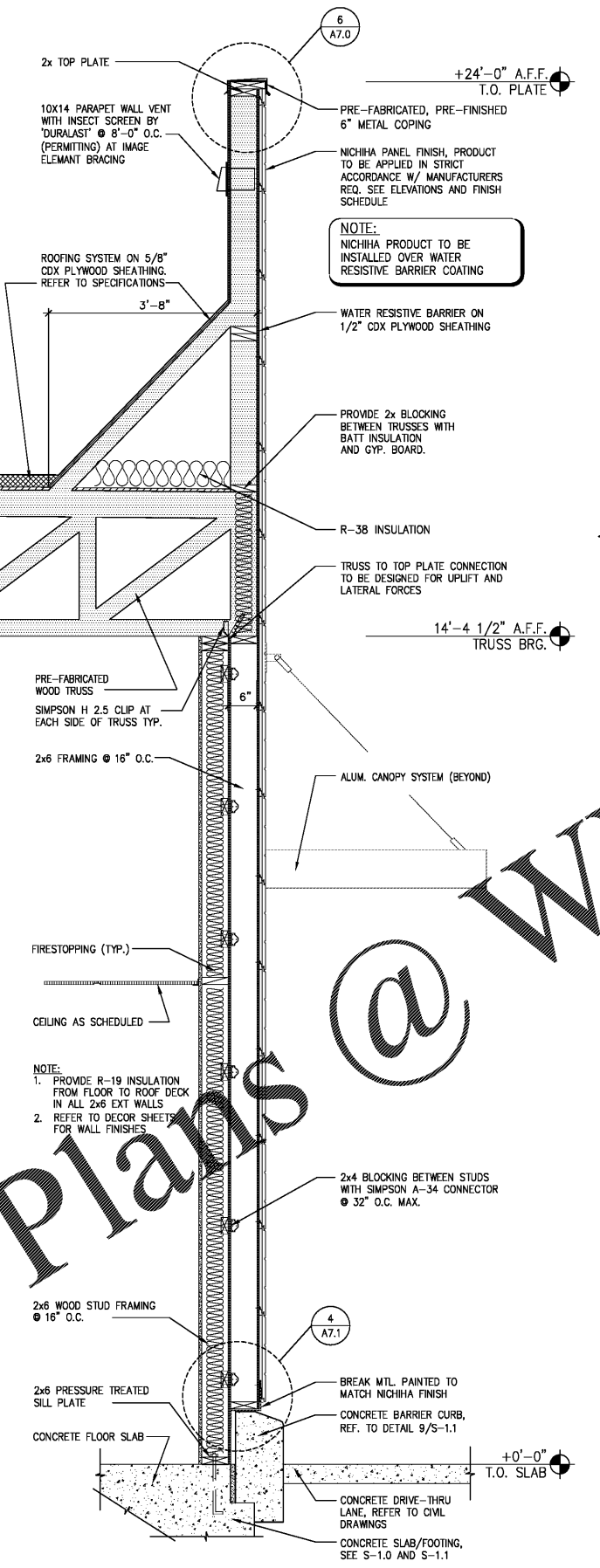
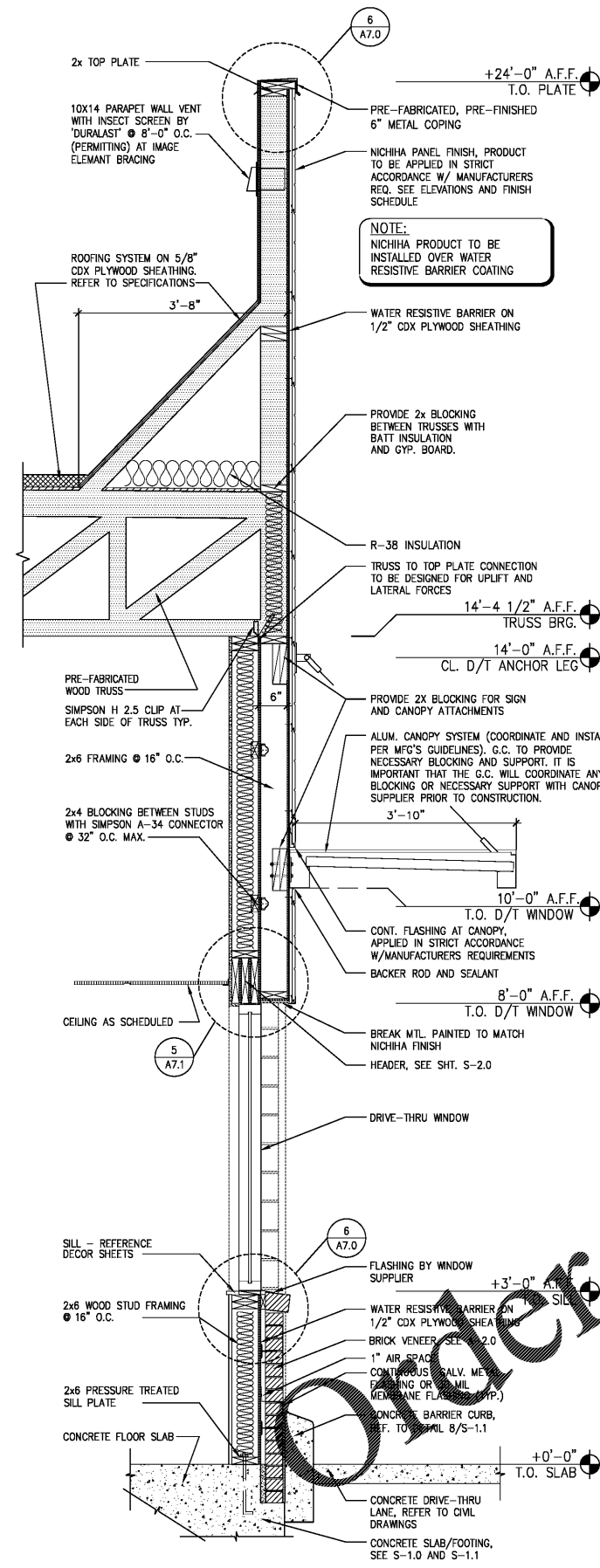
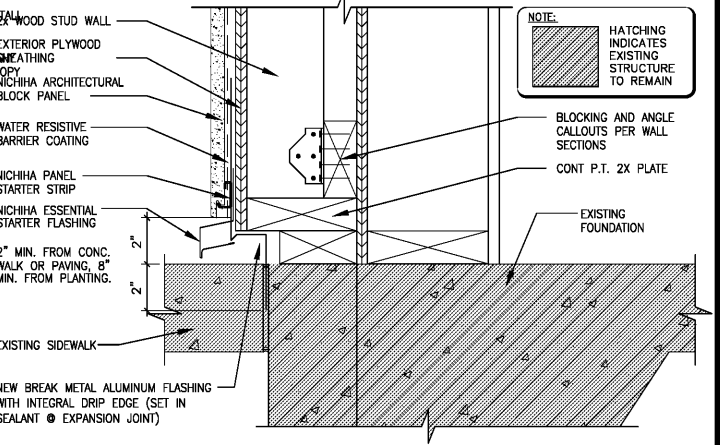
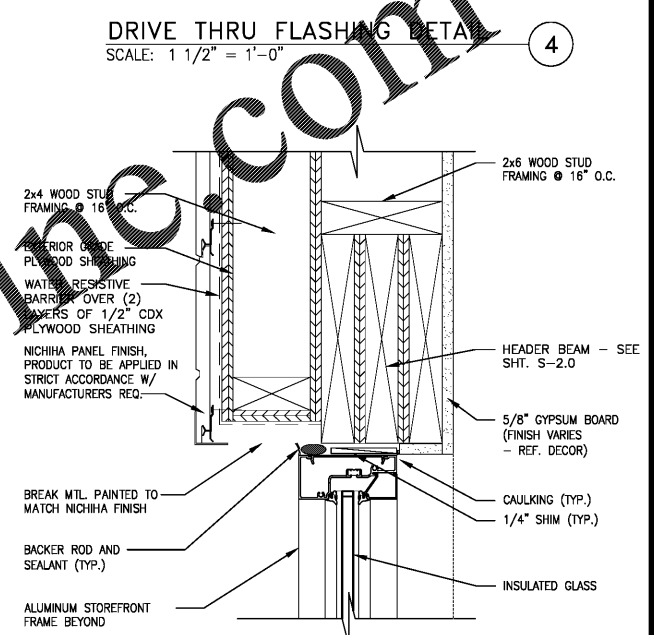
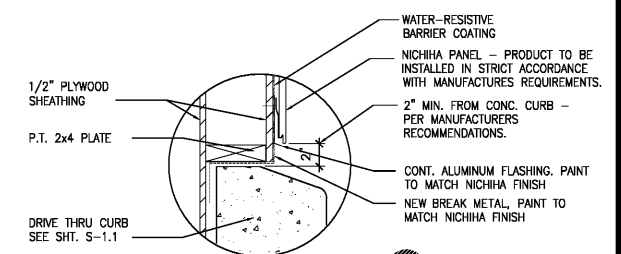
**A-7.1**

**B1916**

DATE	RELEASE
08.26.19	FOR CONSTRUCTION

CHECKED BY: AK  
DRAWN BY: CY

NOTE:  
THESE DRAWINGS ARE THE PROPERTY OF ARIE KOHN ARCHITECTS, P.C. AND SHALL NOT BE USED, REPRODUCED, AND/OR MODIFIED WITHOUT WRITTEN CONSENT FROM ARIE KOHN ARCHITECTS, P.C.



**DRIVE THRU FLASHING DETAIL 4**  
SCALE: 1 1/2" = 1'-0"

**NICHIHA WINDOW HEADER DETAIL 5**  
SCALE: 3" = 1'-0"

**NICHIHA PANEL TERMINATION DETAIL 6**  
SCALE: 3" = 1'-0"

**DRIVE THRU WALL SECTION 1**  
SCALE: 3/4" = 1'-0"

**DRIVE THRU WALL SECTION 2**  
SCALE: 3/4" = 1'-0"

**SECTION @ HIGH BRICK 3**  
SCALE: 3/4" = 1'-0"