

BURGER KING
2026 Longstreet St.
Kingstree, SC 29556

Design Loads per IBC 2012:
Floor Live = 100 psf
Floor Dead = 50 psf
Roof Top Chord Live = 20 psf
Roof Bottom Chord Live = 0 psf
Roof Top Chord Dead = 10 psf + HVAC load
Roof Bottom Chord Dead = 15 psf

Snow load data:
 $P_s = 10$ psf
 $C_s = .9$
 $I_s = 1.0$
 $C_t = 1.0$

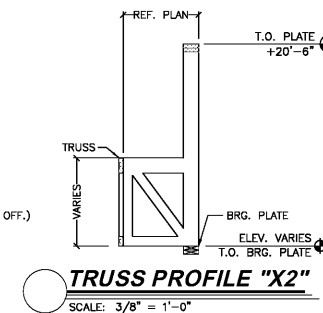
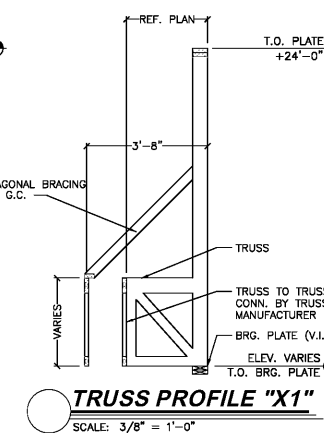
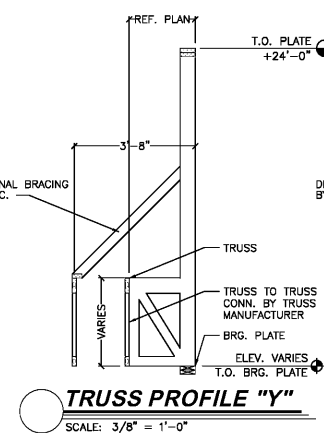
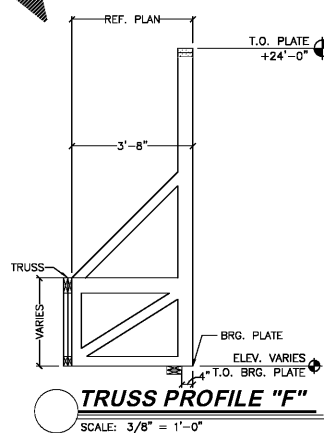
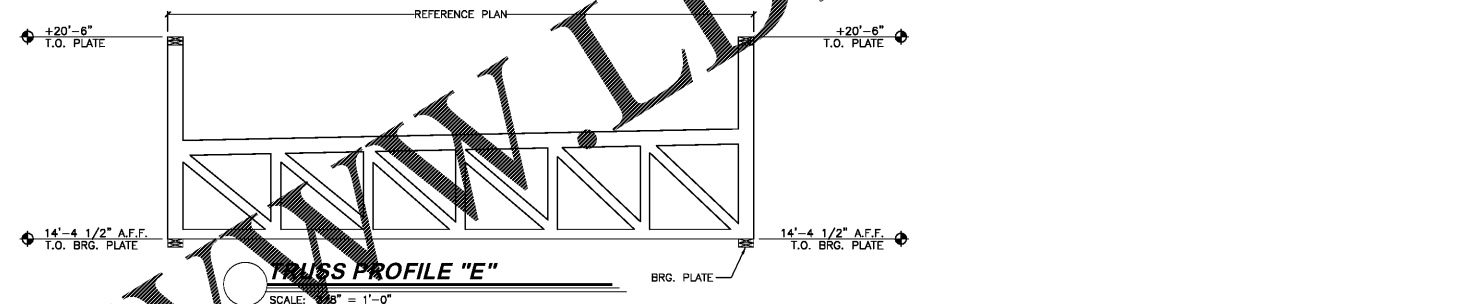
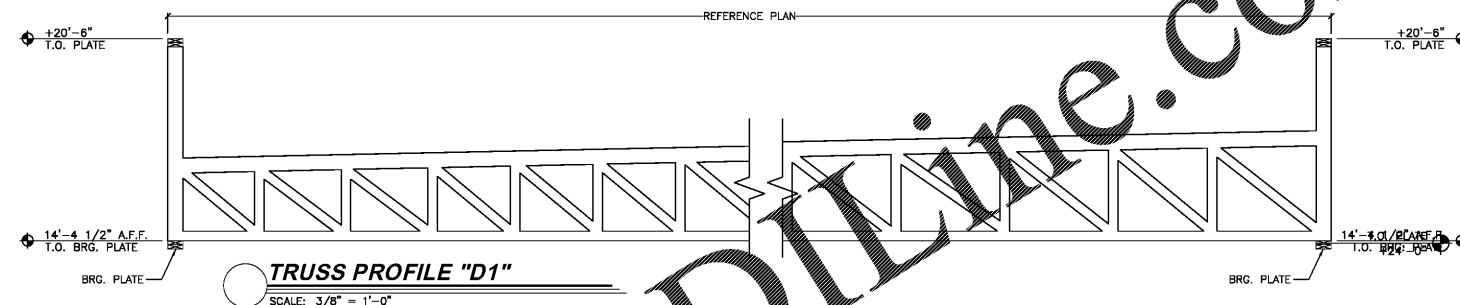
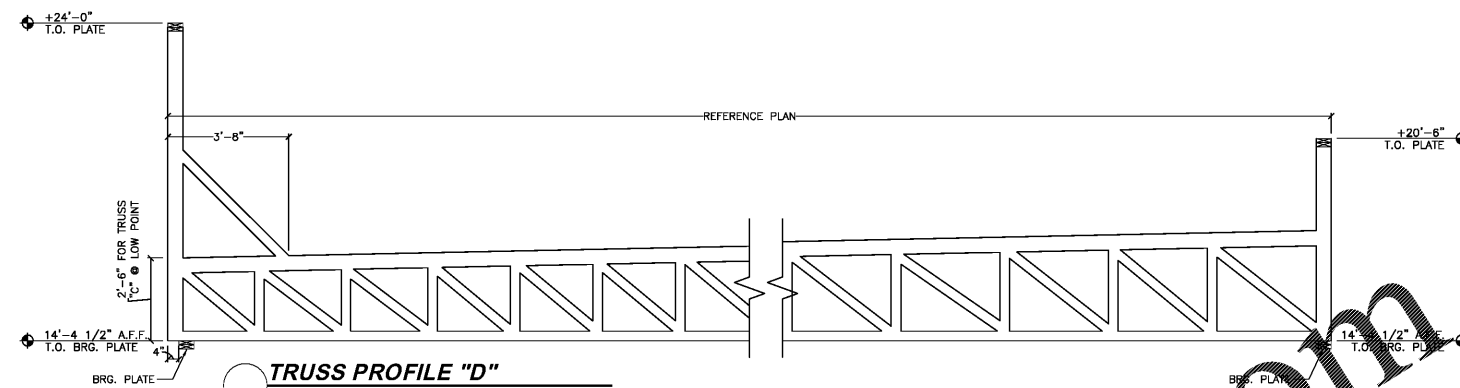
Wind design data:
 $V_{50} = 134$ psf
 $V_{30} = 104$ psf
Risk category = II
Internal pressure coef. = 18/-18

Component and cladding loads

	Zone 1	Zone 2	Zone 3	Zone 4	Zone 5
10 sqft	14.3/-35.3	14.3/-59.2	14.3/-89	35.3/-38.2	36.3/-47.2
20 sqft	13.4/-34.4	13.4/-52.9	12.3/-73.8	33.7/-36.7	33.7/-44.0
50 sqft	12.3/-33.2	12.3/-44.5	12.3/-53.5	31.6/-34.6	31.6/-39.8
100 sqft	11.4/-32.3	11.4/-38.2	11.4/-38.2	30.0/-33.0	30.0/-36.7
500 sqft				26.3/-29.3	26.3/-29.3

Seismic design data:
Risk category = II
 $I_e = 1.0$
 $S_s = 1.351$ g
 $S_d = 461$ g
Site class = D
 $S_w = .901$ g
 $S_{d1} = 473$ g
Design category = D

Order Plans @



B1916

DATE	RELEASE
08.26.19	FOR CONSTRUCTION

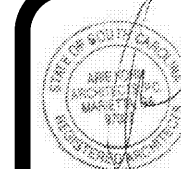
CHECKED BY: AK
DRAWN BY: CY

NOTE: THESE DRAWINGS ARE THE PROPERTY OF ARIE KOHN ARCHITECTS, P.C. AND SHALL NOT BE USED, REPRODUCED, AND/OR MODIFIED WITHOUT WRITTEN CONSENT FROM ARIE KOHN ARCHITECTS, P.C.

DRAWINGS FOR:
BRUCE DANIELS
CAROLINA RE HOLDINGS, LLC
P.O. BOX 711
GREENWOOD, SC 29649
646-462-5481



ARIE KOHN ARCHITECTS, P.C.
74 WOODSTOCK ROAD ROSWELL, GA 30075
TEL (770) 642-9030 FAX (770) 642-3785
EMAIL: arie@skharch.com



PROJECT: B1916
DATE: 07/22/2019
206 LONGSTREET ST.
KINGSTREE, SC 29556
BURGER KING RESTAURANT