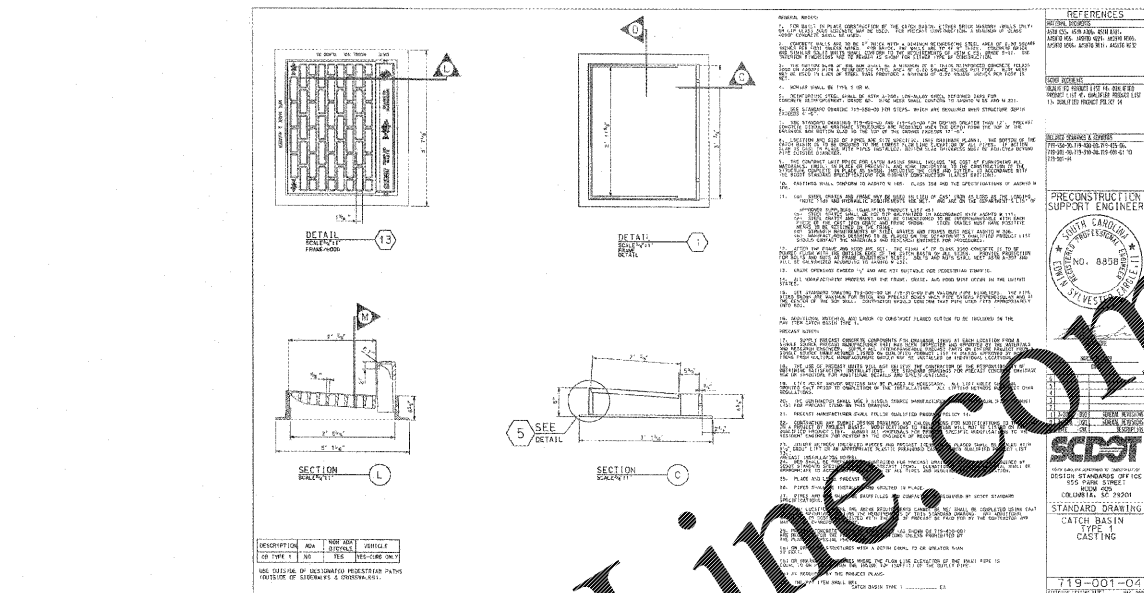
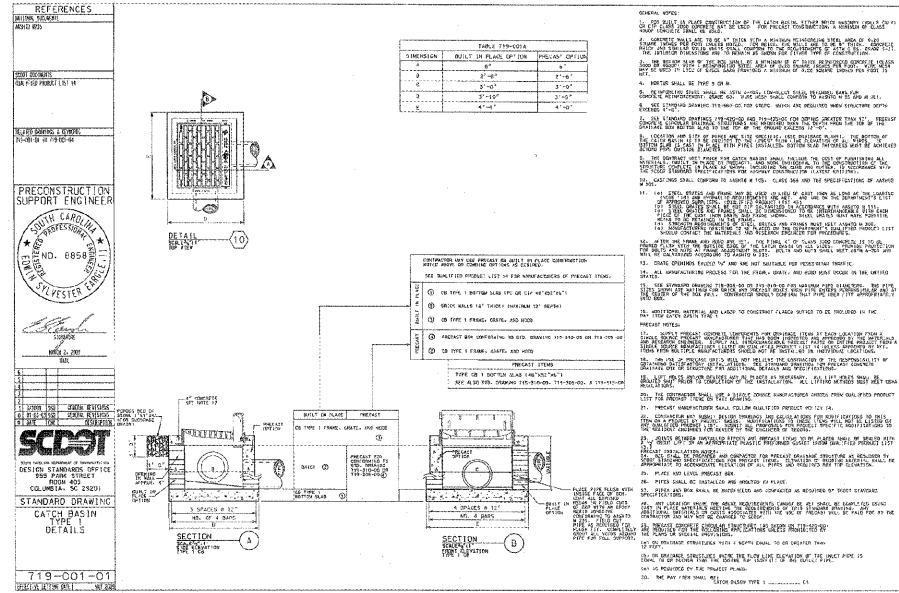
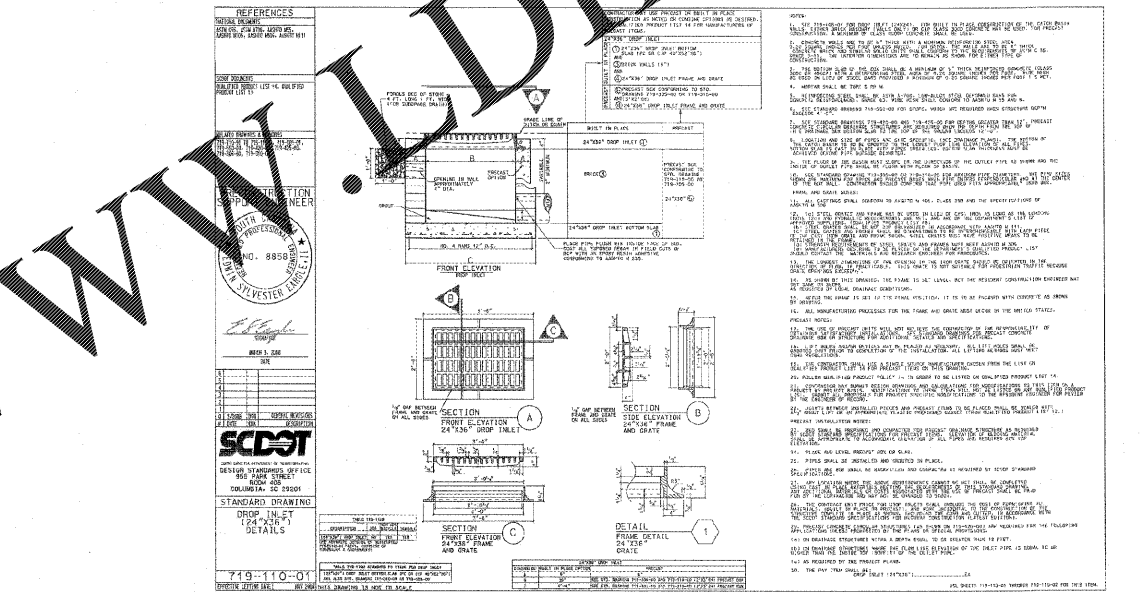
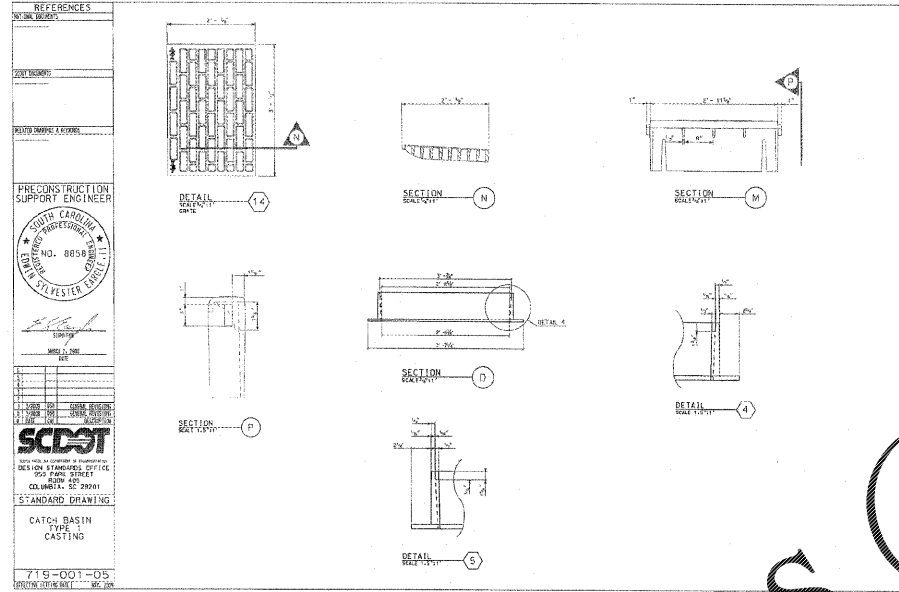


Drawing name: L:\201902 - Carolina RE Holdings, LLC - Burger King - Kingstree - SCDODCONSTRIB250002 - 10 - DETAILS.dwg CONSTRUCTION DETAILS - 2 Aug 27, 2019 1:14 pm By: michael.toback



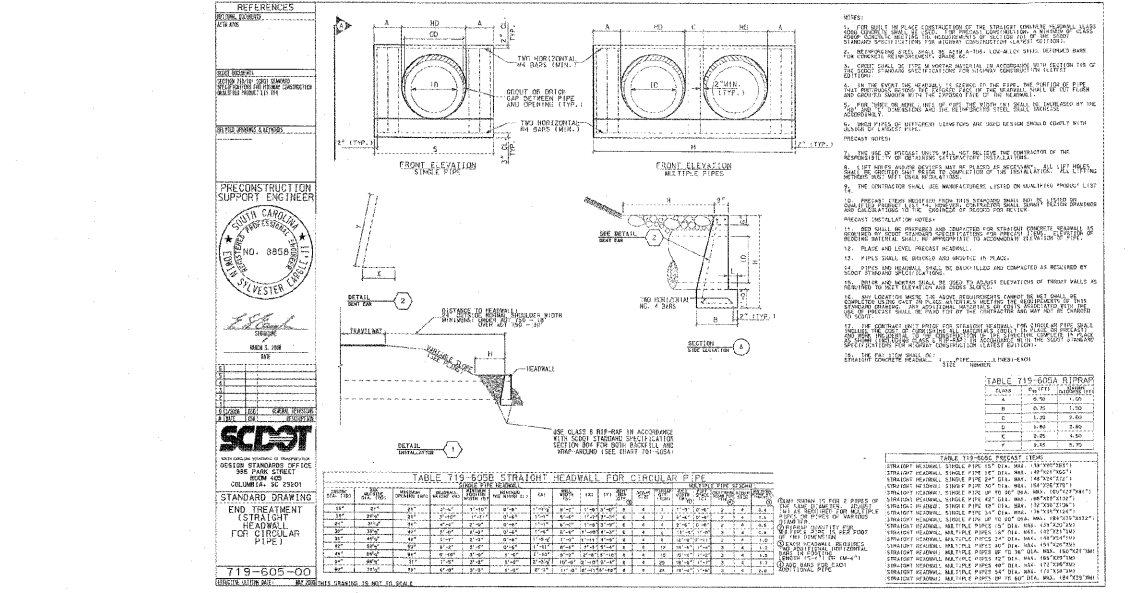
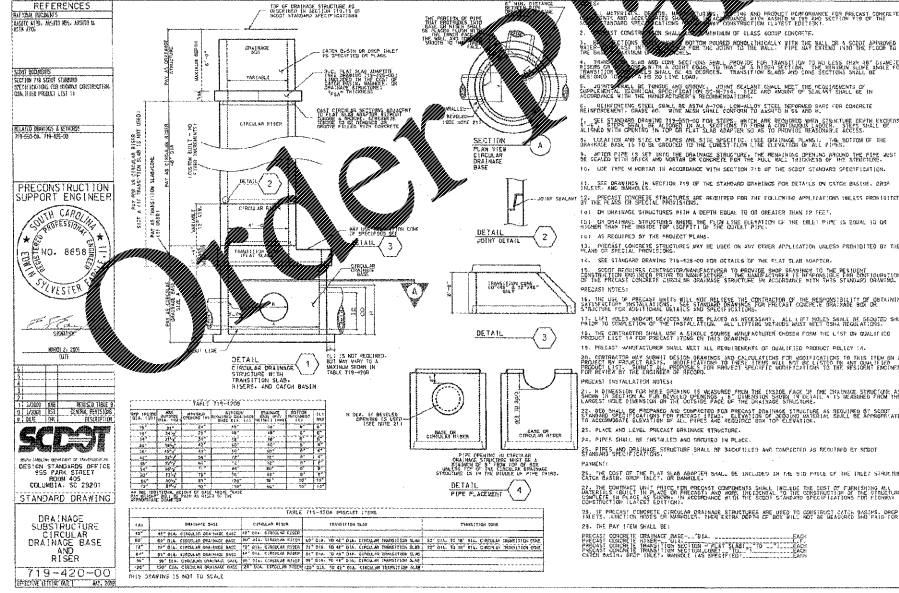
SCDOT DETAIL NOT TO SCALE

SCDOT DETAIL NOT TO SCALE



SCDOT DETAIL NOT TO SCALE

SCDOT DETAIL NOT TO SCALE



SCDOT DETAIL NOT TO SCALE

SCDOT DETAIL NOT TO SCALE

Order Plans @

WWW.IDDLINE.COM

PREPARED IN THE OFFICE OF:
LECRAW
 ENGINEERING
 © 2019 LECRAW ENGINEERING, INC.
 3475 CORPORATE WAY
 SUITE A
 DULUTH, GA 30096
 PH: 770-441-0280
 FAX: 770-441-0289
 WWW.LECRAWENGINEERING.COM
 COA: 4400

NO.	DATE	BY	CHKD	DESCRIPTION
1				SCDOT COMMENTS
2				SCDOT COMMENTS
3				SCDOT COMMENTS

CLIENT
CAROLINA RE HOLDINGS, LLC
 300 GALLERIA PARKWAY - ATLANTA, GA 30339

PROJECT
BURGER KING - KINGSTREE, SC
 206 LONGSTREET STREET
 KINGSTREE, WILLIAMSBURG COUNTY, SOUTH CAROLINA

FOR INFORMATIONAL PURPOSES ONLY

DESIGN TEAM:

DRAWN BY:	MAT
DESIGNED BY:	MAT
REVIEWED BY:	MSL

811
 Know what's below.
 Call before you dig.

DETAILS ARE NOT DRAWN TO SCALE

JOB #	250002
DATE	JUNE 26, 2019
CONSTRUCTION DETAILS - 2	

C-7.1