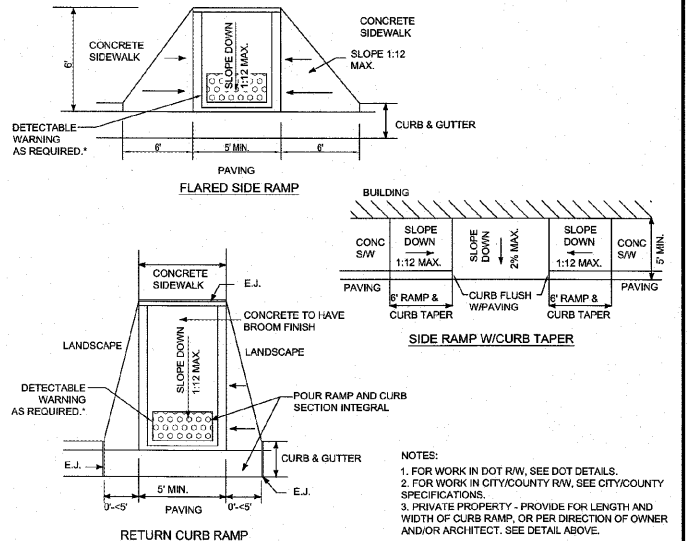
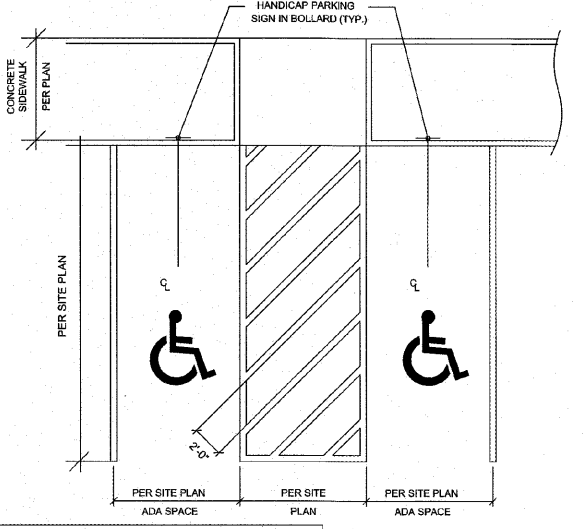


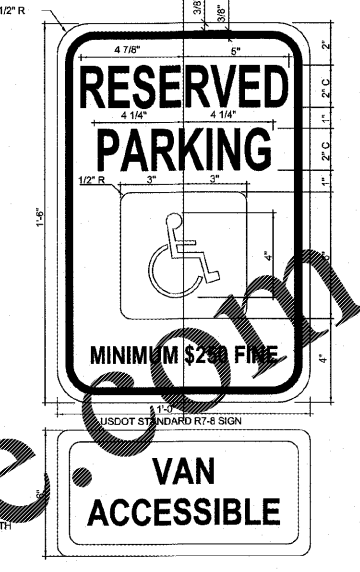
**BOLLARD DETAIL**  
NOT TO SCALE



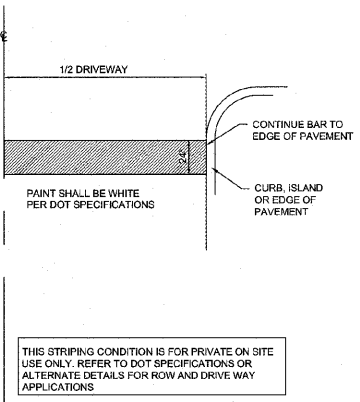
**ADA PARKING RAMP DETAIL**  
NOT TO SCALE



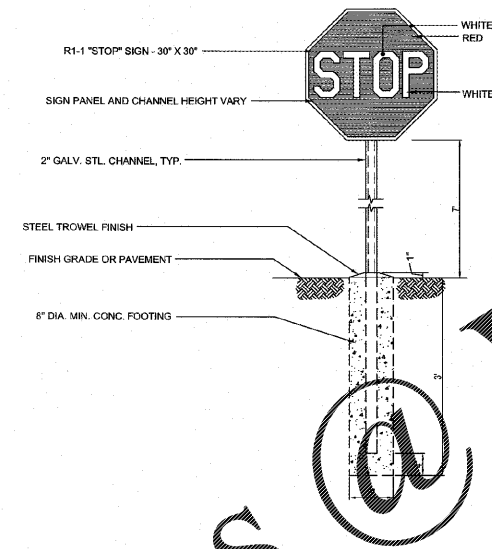
**ADA PARKING LAYOUT DETAIL**  
NOT TO SCALE



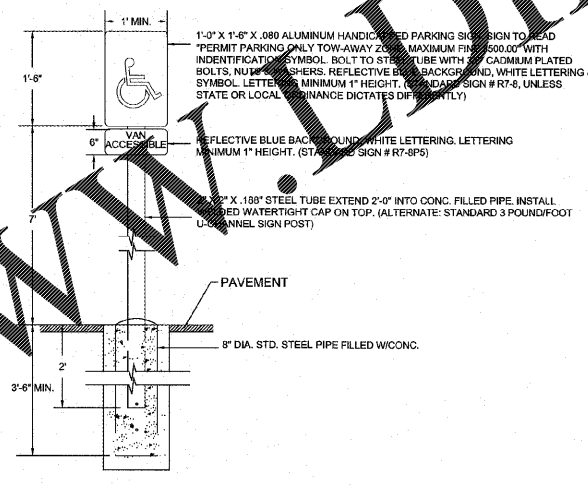
**ADA PARKING SIGN DETAIL**  
NOT TO SCALE



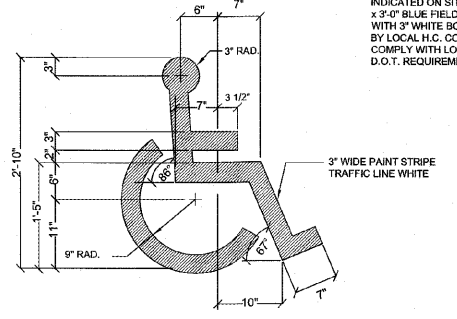
**STOP BAR DETAIL**  
NOT TO SCALE



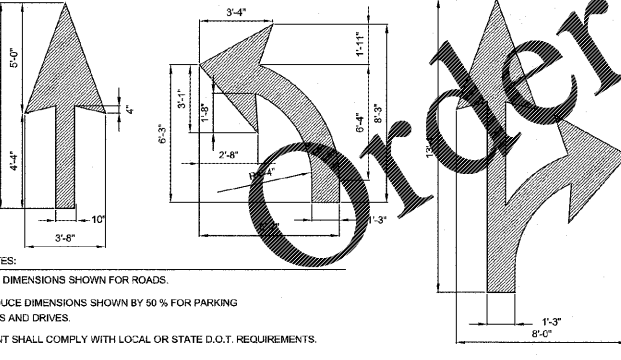
**TRAFFIC SIGN MOUNTING DETAIL**  
NOT TO SCALE



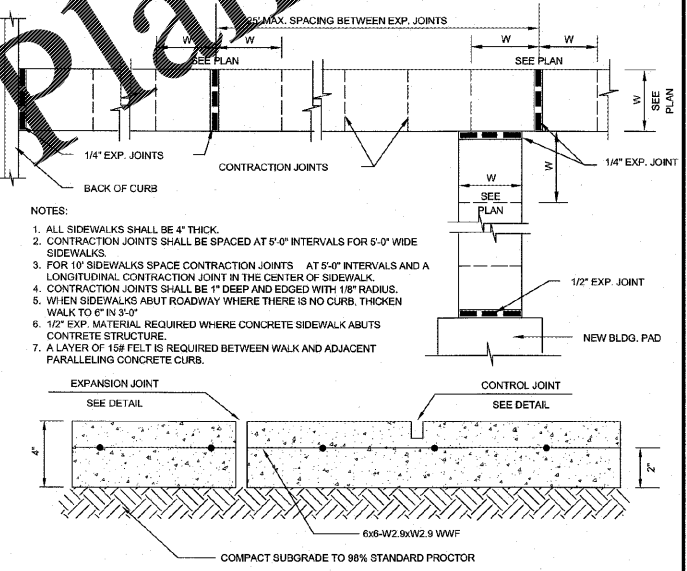
**ADA SIGN MOUNTING DETAIL**  
NOT TO SCALE



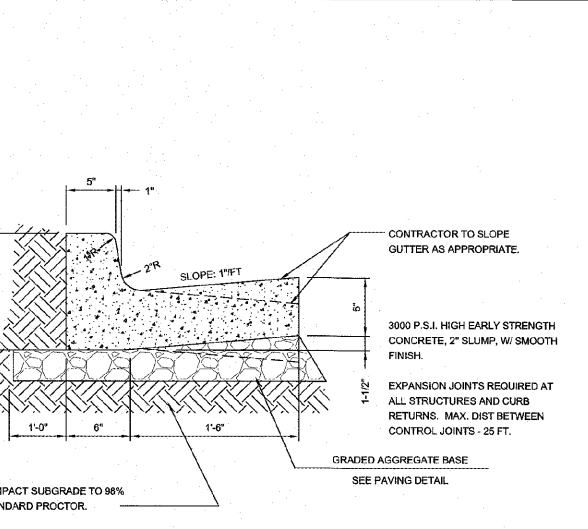
**ADA PARKING SYMBOL DETAIL**  
NOT TO SCALE



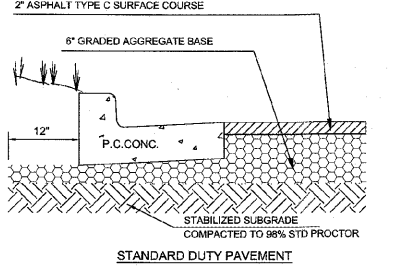
**PAVEMENT MARKING DETAIL**  
NOT TO SCALE



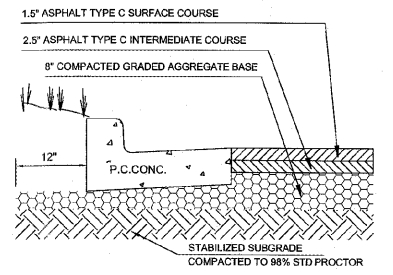
**SIDEWALK DETAIL**  
NOT TO SCALE



**CURB & GUTTER DETAIL**  
NOT TO SCALE



**PAVEMENT DETAIL**  
NOT TO SCALE



**PAVEMENT DETAIL**  
NOT TO SCALE

**LECRAW ENGINEERING**  
2019 LECRAW ENGINEERING, INC.  
3475 COBBLESTONE WAY  
SUITE 200  
DULUTH, GA 30096  
PHONE - 978.546.8100  
FAX - 770.441.0288  
WWW.LECRAWENGINEERING.COM  
CON. 4403

NO.	DATE	BY	CHK'D BY	REVISION
1				
2				
3				
4				

**CAROLINA RE HOLDINGS, LLC**  
300 GALLERIA PARKWAY - ATLANTA, GA 30339  
**BURGER KING - KINGSTREE, SC**  
206 LONGSTREET STREET  
KINGSTREE, WILLIAMSBURG COUNTY, SOUTH CAROLINA

**LeCraw Engineering, Inc.**  
No. 4400  
STATE OF SOUTH CAROLINA  
REGISTERED PROFESSIONAL ENGINEER

**Mark S. LeCraw**  
No. 29099  
08/01/19  
REGISTERED PROFESSIONAL ENGINEER  
STATE OF SOUTH CAROLINA

**DESIGN TEAM:**  
DRAWN BY: MAT  
DESIGNED BY: MAT  
REVIEWED BY: MSL

**811**  
Know what's below.  
Call before you dig.

**DETAILS ARE NOT DRAWN TO SCALE**

JOB #: 259002  
DATE: JUNE 26, 2019  
CONSTRUCTION DETAILS - 1

**C-7.0**

Drawing Name: L259002 - Carolina RE Holdings, LLC - Burger King - Kingstree, SC - CONSTRUCTION DETAILS - 10 - DETAILS.dwg CONSTRUCTION DETAILS - 1 Aug 28, 2019 5:30pm by: msl@lecraw.com

**Order Plans**

**WWW.WWJDLINE.COM**