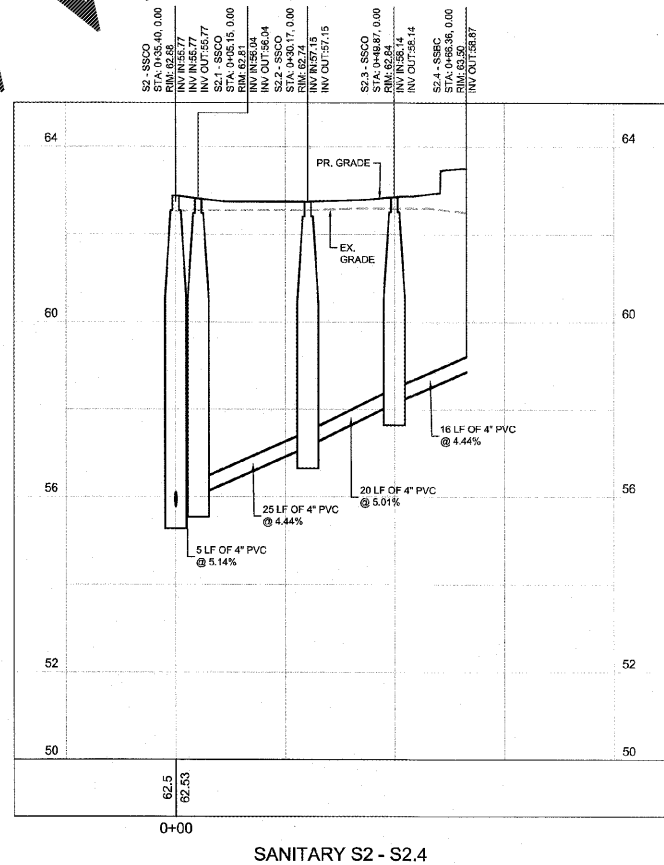
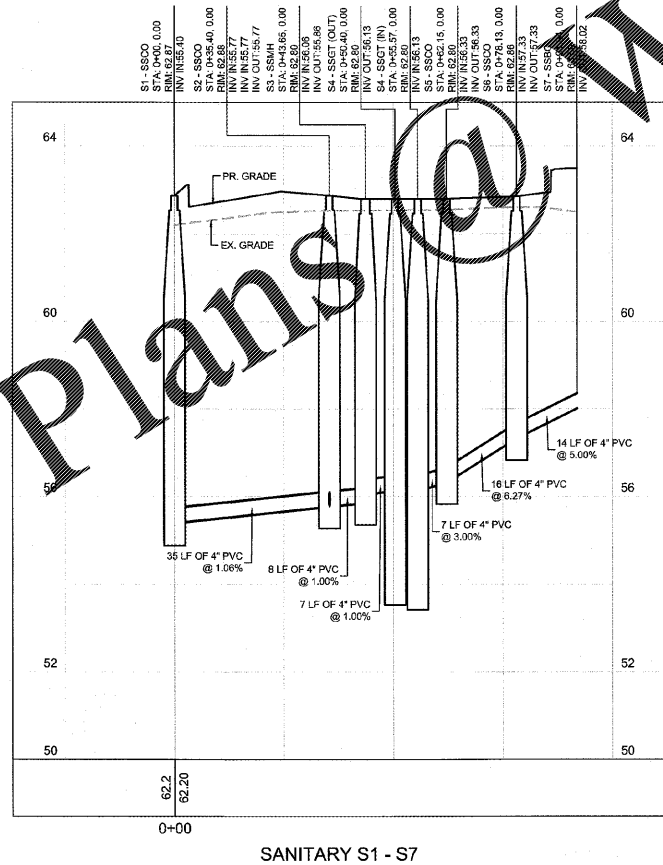
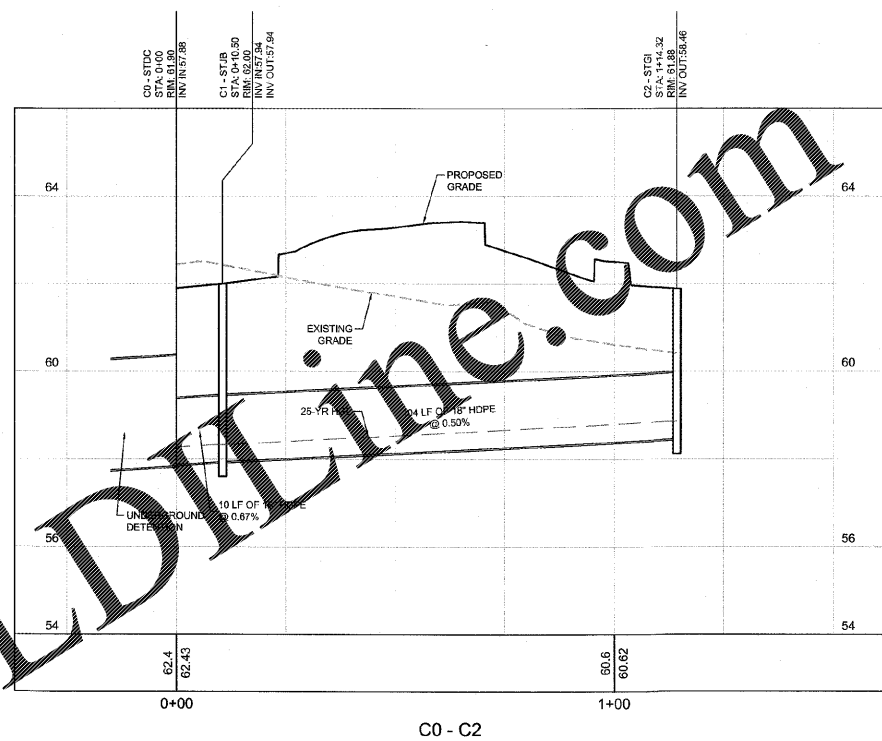
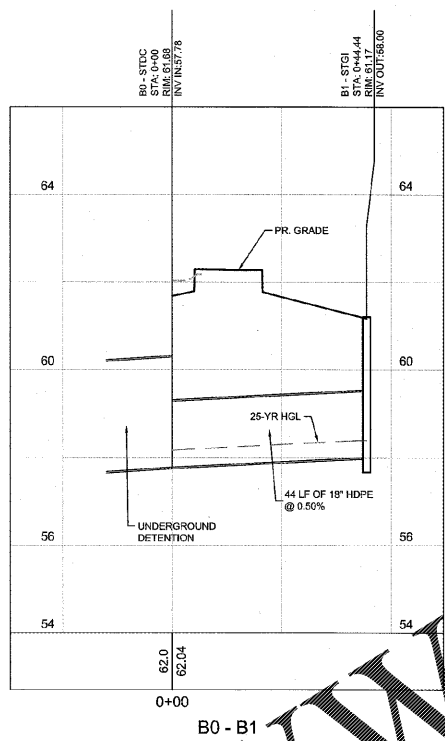
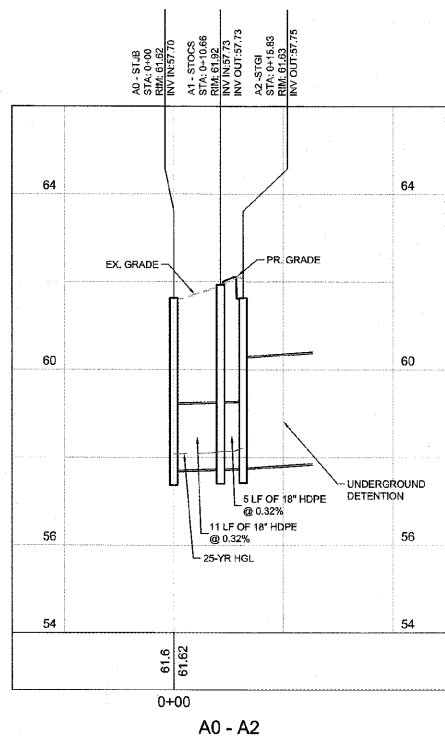


Drawing name: L:\259002 - Carolina RE Holdings, LLC - Burger King - Kingstree, SC\CAD\CONSTR\259002-06 - PROFILES.dwg, Aug 27, 2019 1:40pm by: michael.botolaker

Order Plans @



VERTICAL SCALE: IN FEET
SCALE: 1"=20'

PREPARED IN THE OFFICE OF:
LECRAW ENGINEERING, INC.
3475 CORPORATE WAY
SUITE A
DALLAS, TEXAS 75246
PHONE: 972.448.8100
FAX: 770.441.0299
WWW.LECRAWENGINEERING.COM
COA: 4400

REV. #	DATE	DESCRIPTION	DRAWN	CHECKED
1	07/20/19	SCOTT COMMENTS	MSL	MSL
2	08/25/19	RODIE BUILDING	MSL	MSL
3	08/27/19	SCOTT COMMENTS	MSL	MSL

CLIENT
CAROLINA RE HOLDINGS, LLC
300 GALLERIA PARKWAY - ATLANTA, GA 30339

PROJECT
BURGER KING - KINGSTREE, SC
206 LONGSTREET STREET
KINGSTREE, WILLIAMSBURG COUNTY, SOUTH CAROLINA

SEAL:

LeCraw Engineering, Inc.
No. 4400

Mark S. LeCraw
No. 29099
8/28/19

DESIGN TEAM:
DRAWN BY: MAT
DESIGNED BY: MAT
REVIEWED BY: MSL

811
Know what's below.
Call before you dig.

SCALE & NORTH ARROW:

NORTH ARROW

SCALE: 1"=20'

JOB #: 259002
DATE: JUNE 26, 2019
PROFILES
C-6.0