

NOTE: GC TO RELOCATE HVAC AS NEEDED TO ACCOMMODATE SOFFIT/PENDANT/DÉCOR PLACEMENT

NOTE: G.C TO CONTACT EIS IMMEDIATELY IF CEILING HEIGHT ARE MISREPRESENTED OR HAVE CHANGED DUE TO SITE CONDITIONS. IN THE EVENT THAT EIS IS NOT NOTIFIED OF CEILING HEIGHT DISCREPANCIES AND PRODUCT IS REQUIRED TO BE MODIFIED ON SITE, EIS RESERVES THE RIGHT TO BILL FOR EXTRA COSTS INCURRED

NOTE: G.C. TO SUPPLY LIGHT FIXTURE AND CUT OUT FOR ALL SOFFITS.

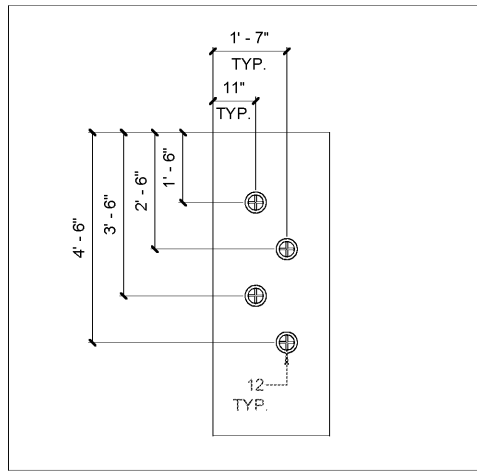
NOTE: G.C. RESPONSIBLE FOR INSTALLATION OF THE LIGHT FIXTURES AND TO PROVIDED AND INSTALL THE APPROPRIATE BULBS. ALL OTHER LIGHTING IS TO BE SUPPLIED AND INSTALLED BY G.C.

NOTE: PLEASE REFER TO BK ARCHITECTURAL PROVIDED LIGHTING PLAN FOR GENERAL LIGHTING LAYOUT. THIS PLAN SHOWS ONLY SUGGESTED PENDANT LIGHT LOCATIONS AND SOFFITS. EIS WILL NOT BE HELD LIABLE FOR ADDITIONAL COSTS DUE TO ADJUSTMENTS TO LIGHTING QUANTITIES OR LOCATIONS FOR PERSONAL REFERENCE, OR LOCAL CODES.

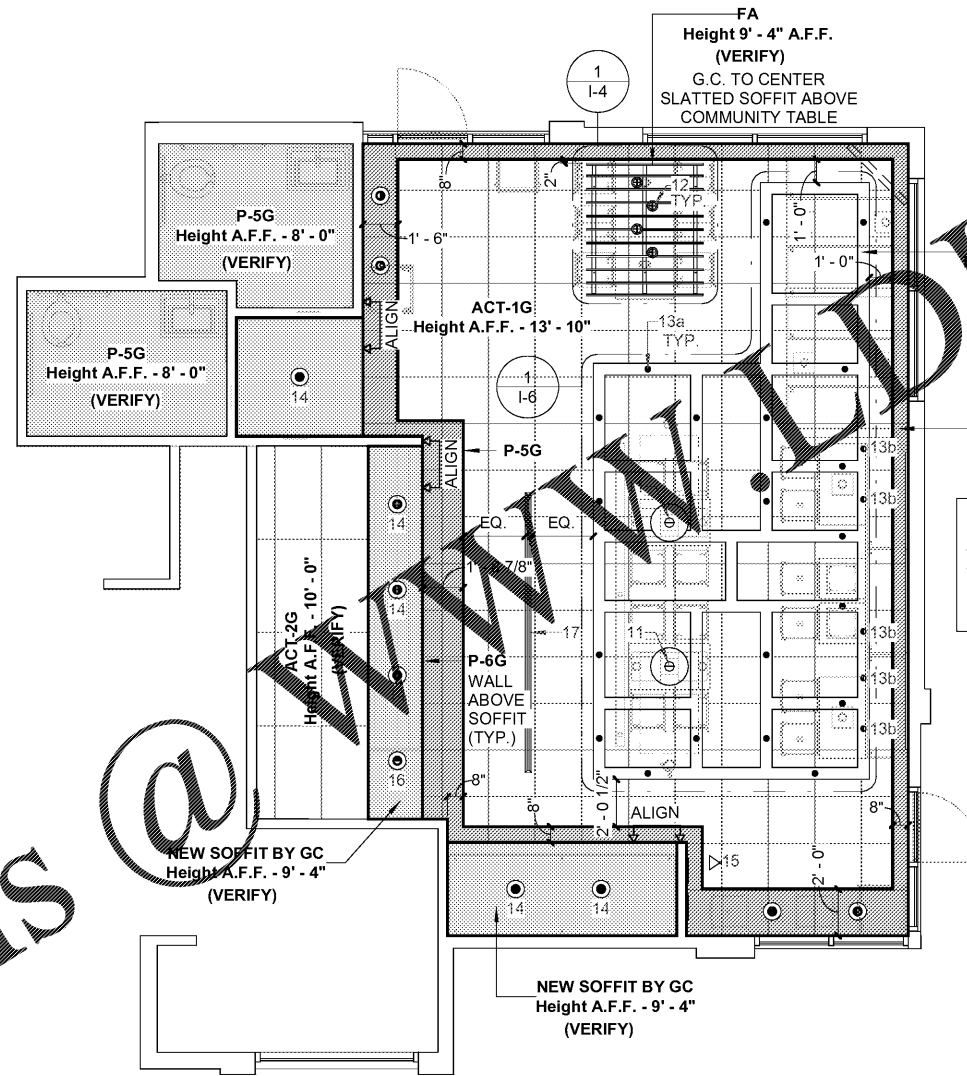
*ALL LIGHT BULBS TO BE SUPPLIED & INSTALLED BY THE G.C.
 *G.C. TO CONTACT BURGER KING'S CONSTRUCTION ENGINEER FOR THE FINAL HVAC PLACEMENT.
 *ALL ELECTRICAL FIXTURES, WIRING, & INSTALLATIONS TO BE UL APPROVED
 *JUNCTION BOXES REQUIRED FOR ALL WALL SCONES
 *G.C. TO NOTE AREA ABOVE THE CEILING TO BE KEPT CLEAR FOR EIS DÉCOR BLOCKING
 *ALL NEON TUBES & WIRING TO BE SUPPLIED & INSTALLED BY AN UL APPROVED SUPPLIER
 *TRANSFORMERS FOR NEON LIGHTING TO BE LOCATED ABOVE THE SUSPENDED CEILING

REFLECTED CEILING PLAN KEY	
SYMBOL	TAG
	11
	12
	13a
	13b
	14
	15
	16
	17

LIGHTING TAGS SHOWN IN RED



1 COMMUNITY TABLE PENDANTS LOCATION
 3/8" = 1'-0"



A Reflected Ceiling Plan
 3/16" = 1'-0"

GENERAL LIGHTING SHALL BE COORDINATED WITH ARCHITECT TO MEET REQUIRED LIGHTING LEVELS. HEIGHT REQUIRED INFORMATION

NOTE: GC TO REFER TO BURGER KING LIGHTING SPECIFICATIONS FOR ALL LIGHT FIXTURE SPECIFICATION. REFER BK LIGHTING STANDARDS FOR ILLUMINANCE, TEMPERATURE AND CONTRAST FOR LIGHTING.

Lighting Schedule							
Tag	BK Code	Item	Finish	Supplier	Contact	Type	Comments
11	A	BK304 & SP30S-18-60D-927-03	Faux Cast Aluminum Finish	Nautical Furnishings LLC	Michael Hoglund (954) 771-1100 or mhoglund@nauticalfurnishings.com	Shaker Pendant Light	--
12	B	BK305 & LED 8W Edison Incandescent	Antique Bronze	Nautical Furnishings LLC	Michael Hoglund (954) 771-1100 or mhoglund@nauticalfurnishings.com	Bronze Cage Pendant Light	--
13a	G	SP34378B-9-F1-SSN	Satin Nickel	Juno Lighting Group	Brett D. Kinzler (847) 813-8350 or brett.kinzler@acuitybrands.com	2" Diameter Down Light	--
13b	G1	SP34378A-930-F1-SN	Satin Nickel	Juno Lighting Group	Brett D. Kinzler (847) 813-8350 or brett.kinzler@acuitybrands.com	2" Diameter Wall Wash Light	--
14	C6w	P34505-930-6-WWH	White	Juno Lighting Group	Brett D. Kinzler (847) 813-8350 or brett.kinzler@acuitybrands.com	6" Diameter White Recessed Downlight	To be used with GWB Ceiling.
15	E	R600L3KNBZ	Bronze	Juno Lighting Group	Brett D. Kinzler (847) 813-8350 or brett.kinzler@acuitybrands.com	Single Track Light	--
16	D6w	SP34506-27K-6WWH	White	Juno Lighting Group	Brett D. Kinzler (847) 813-8350 or brett.kinzler@acuitybrands.com	6" Diameter White Recessed Downlight + Wallwash	To be used with GWB Ceiling.
17	F	PR1-BBD35A16SSM06	Aluminum	Hermitage Lighting	Wyatt Culver (615) 843-3379 or wyattc@hlg.com	Fluxwerx - 12" Aluminum Finish	--

FINAL PLANS

BURGER KING
 National #200397
 Garden Grill

Account Executive
 Donnie Harrelson
 706-604-7600
 donnie.harrelson@elkay.com

Drawn By
 MS.GRK
 Date:
 07/26/2019

Contact
 Bruce Daniels
 645-462-5481
 bruce.daniels@carolinatranchholdings.com

Designer
 Stephanie Rutledge
 414-847-0675
 stephanie.rutledge@elkay.com

Location
 Beech Island Drive and Atomic Road
Beech Island, SC
 29842

Project Manager
 Ryan Spannagle
 414-847-0668
 ryan.spannagle@elkay.com

INTERIOR SYSTEMS

REV	DATE	DESCRIPTION	BY	SR	JC/SR
	8/8/19	Bid Set Created			
	8/9/19	Brand Review Approved			
	8/15/19	Final Plan Set Created			

Project Number
113123

Sheet Title
Reflected Ceiling Plan

Sheet
I-4