

"MORNING ARRIVAL"

STEP 1

TURN THE KITCHEN UNOCCUPIED-OCCUPIED SWITCH TO THE UNOCCUPIED POSITION. THE KITCHENS AIR CONDITIONING SYSTEM WILL GO FROM NIGHT SETBACK MODE TO THE THERMOSTAT SET POINT.

NOTE: THE AIR CONDITIONING FAN WILL START AND RUN CONTINUOUSLY. EXHAUST FAN WILL NOT RUN UNTIL THIS SWITCH IS IN THE OCCUPIED POSITION.

STEP 2

TURN ON THE EXHAUST FAN SWITCH TO THE ON POSITION THIS WILL ALLOW YOU TO TURN ON THE FRYERS AND BROILER.

"RESTAURANT OPEN FOR BUSINESS"

STEP 1

TURN THE DINING UNOCCUPIED-OCCUPIED SWITCH TO THE OCCUPIED POSITION. THE DINING AIR CONDITIONING SYSTEM WILL GO FROM NIGHT SETBACK MODE TO THE THERMOSTAT SET POINT.

STEP 2

TURN THE SIGN AND PARKING LOT LIGHTING SWITCHES TO THE AUTO POSITION. THIS WILL ENGAGE THE LIGHTING PHOTOCELLS SO THAT THE LIGHTS WILL AUTOMATICALLY COME ON AFTER DARK. TURN THE SWITCH TO THE ON POSITION TO COVER RIDE THE PHOTOCELLS AT ANY TIME THE LIGHTING MUST REMAIN ON.

"RESTAURANT CLOSE FOR BUSINESS"

STEP 1

TURN THE DINING UNOCCUPIED-OCCUPIED SWITCH TO THE UNOCCUPIED POSITION. THE DINING AIR CONDITIONING SYSTEM WILL GO FROM THE THERMOSTAT SET POINT TO THE NIGHT SET BACK MODE.

STEP 2

TURN THE SIGN AND PARKING LOT LIGHTING SWITCHES TO THE OFF POSITION. THIS WILL DISENGAGE THE LIGHTING PHOTOCELLS.

STEP 3

TURN THE EXHAUST FAN SWITCH TO THE OFF POSITION THE BROILERS EXHAUST FAN WILL CONTINUE TO RUN FOR 15 MINUTES FOR A COOL DOWN CYCLE, AND THEN SHUT OFF AUTOMATICALLY.

NOTE: THE FRYERS AND BROILER SHOULD BE TURNED OFF AND ALLOWED TO COOL DOWN BEFORE TURNING THE HOOD OFF. TO PREVENT ACCIDENTAL ANSUL DISCHARGE, THE BROILERS HOOD WILL ALWAYS RUN 15 MINUTES AFTER THE EXHAUST FAN SWITCH IS TURNED TO THE OFF POSITION.

"EMPLOYEES LEAVING THE BUILDING"

STEP 1

WHEN READY TO EXIT THE BUILDING PUSH THE SECURITY DEPARTURES SWITCH. THE PARKING LOT LIGHTS WILL COME BACK ON FOR 15 MINUTES THEN SHUT OFF AUTOMATICALLY.

"MANAGER/LAST PERSON LEAVING THE BUILDING"

STEP 1

TURN THE KITCHEN UNOCCUPIED-OCCUPIED SWITCH TO THE UNOCCUPIED POSITION. THE KITCHENS AIR CONDITIONING SYSTEM WILL GO FROM THE THERMOSTAT SET POINT TO THE NIGHT SET BACK MODE.

STEP 2

WHEN READY TO EXIT THE BUILDING PUSH THE SECURITY DEPARTURE SWITCH. THE PARKING LOT LIGHTS WILL COME BACK ON FOR 15 MINUTES THEN SHUT OFF AUTOMATICALLY.

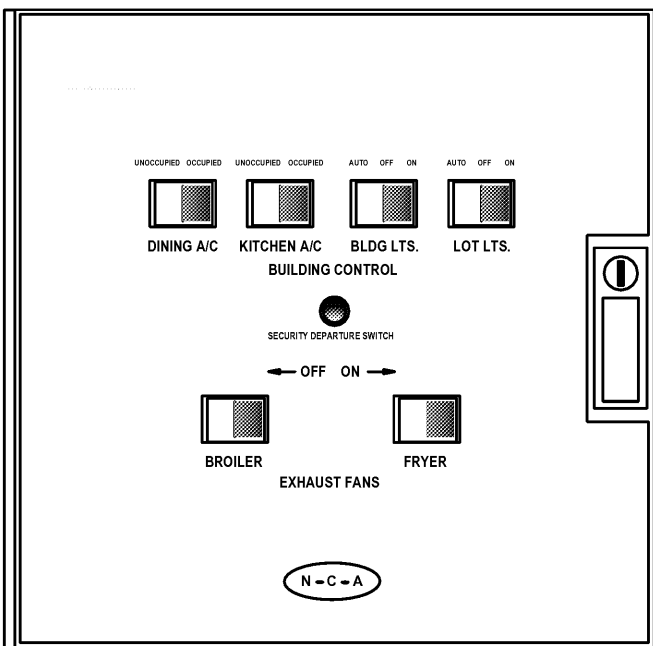
"HOOD VENTILATION SYSTEM NOTE"

WHEN THE HOOD EXHAUST FAN CURRENT SENSOR DETECTS A DROP IN AMPERAGE (SUCH AS A BELT BREAKING) IT WILL DISABLE THE LINE VOLTAGE TO THE EXHAUST FAN(S), FRYER AND BROILER APPLIANCES. THE EXHAUST FAN SWITCH SHOULD BE PLACED IN THE OFF POSITION AND THE FAN SHOULD BE CHECKED AND/OR REPAIRED BEFORE TURNING THE SWITCH TO THE ON POSITION.

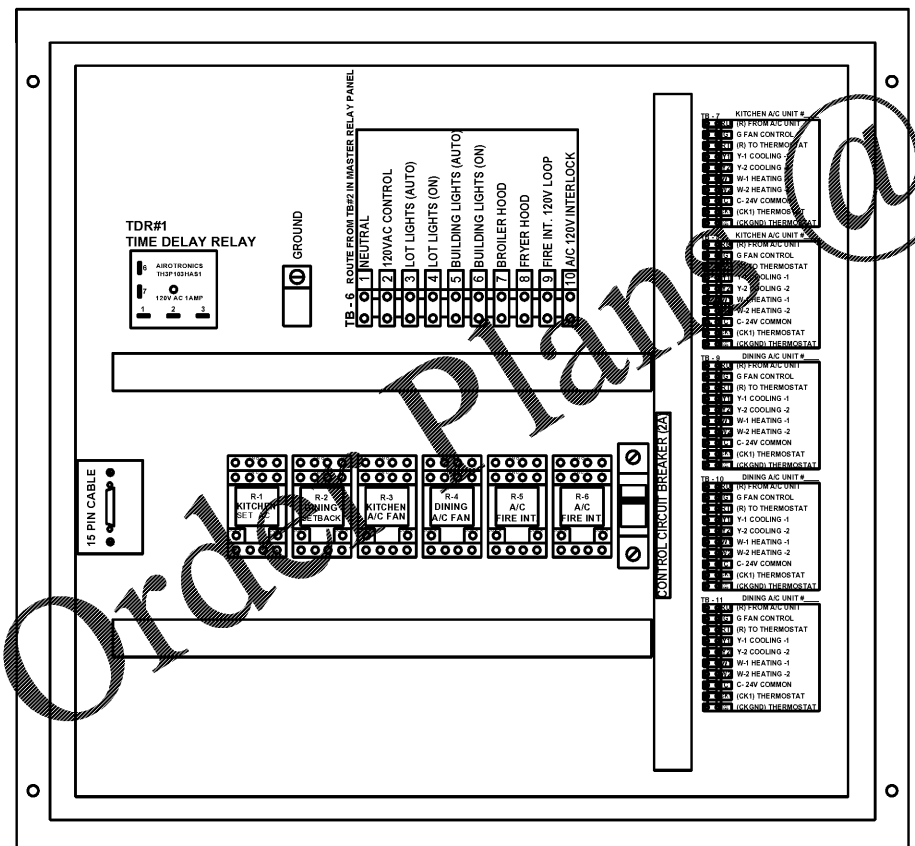
"PARKING LOT LIGHTING NOTE"

WHEN THE PARKING LOT LIGHTS ARE TURNED OFF, THEY MUST COOL DOWN FOR ABOUT 10 MINUTES BEFORE THEY WILL COME BACK ON.

*NOTE: IF IT IS NECESSARY TO ADJUST THE AMPERAGE OF THE BROILER EXHAUST HOOD FAN MOTOR, THE FAN MOTOR CURRENT SENSOR MUST BE RESET AS FOLLOWS: ADJUST UNDERCURRENT POTENTIOMETER TO MAXIMUM (CLOCKWISE IS MAXIMUM). APPLY CURRENT. ONCE CURRENT IS STABILIZED, DECREASE UNDERCURRENT POT UNTIL RED LIGHT TURNS OFF. WITHIN SEVEN SECONDS TURN UP UNTIL RED LIGHT TURNS ON. IF A LIGHT REMAINS OFF FOR MORE THAN TEN SECONDS, DISCONNECT SUPPLY VOLTAGE TO RESET. SEE INSTALLATION INSTRUCTIONS PN MRP COVER.



UL Underwriters Laboratories, Inc.



SEQUENCE OF OPERATION

MANUAL CONTROL SYSTEM
THE A/C UNITS UNOCCUPIED-OCCUPIED SWITCH IS USED TO: TURN THE STORE ON IN THE MORNING AND OFF IN THE EVENING.
WHEN A/C UNIT UNOCCUPIED-OCCUPIED SWITCH IS TURNED TO THE ON POSITION: THE AIR CONDITIONING SYSTEM WILL GO FROM NIGHT MODE TO SYSTEM ON.
THE AIR CONDITIONING FANS WILL START AND RUN CONTINUOUSLY.
THE OUTDOOR DAMPERS WILL OPEN TO A PRESET POSITION. (OPTIONAL)
DAMPERS WILL NOT OPEN DURING NIGHT SET BACK MODE. (OPTIONAL)
THE AIR CONDITIONERS WILL BEGIN TO COOL OR HEAT AT THE OCCUPIED TEMPERATURE SETPOINT.
THE COOKING EQUIPMENT AND EXHAUST FANS CAN NOW BE TURNED ON WHEN NEEDED.
WHEN A/C UNOCCUPIED-OCCUPIED SWITCH IS TURNED TO THE OFF POSITION: EXHAUST FANS, SUPPLY FANS, AND EVAPORATOR BLOWERS WILL SHUT DOWN.
THE HEATING AND COOLING OPERATION SHALL REVERT TO SYSTEM NIGHT SET BACK MODE.
THE COOKING EQUIPMENT SHALL BE DISABLED.
THE SIGNAGE LIGHTING & LOT LIGHTING SHALL BE DISABLED IF SWITCHES ARE IN THE OFF POSITION.
THE PARKING LOT POLE LIGHTS & SECURITY LIGHTS SHALL REMAIN ON FOR 15 MIN AFTER THE SECURITY DEPARTURE SWITCH IS ACTIVATED.
WHEN THE HOOD EXHAUST FAN CURRENT SENSOR DETECTS A DROP IN AMPERAGE IT WILL DISABLE THE LINE VOLTAGE TO THE FRYER AND BROILER APPLIANCES.

HOOD VENTILATION SYSTEM
IF THE HOOD VENTILATION SWITCH IS IN THE OPEN POSITION, THE HOOD VENTILATION SYSTEM CAN BE STARTED.
THE BROILER SYSTEM AND THE FRYER SYSTEM SHALL BE STARTED BY MOVING THE ON/OFF SWITCH TO THE ON POSITION. IF EITHER THE BROILER OR FRYER SWITCH IS IN THE ON POSITION, THE MAKE-UP AIR UNIT (IF APPLICABLE) SHALL START AUTOMATICALLY.
ACTIVATION OF THE HOOD FIRE SUPPRESSION SYSTEM SHALL DE-ENERGIZE THE MAKE UP AIR UNIT. ALL A/C UNITS, AND THE CONTROLLED COOKING EQUIPMENT, THE BROILER AND THE FRYER EXHAUST SYSTEM SHALL CONTINUE TO OPERATE. THE FIRE SUPPRESSION SYSTEM SHALL BE MANUALLY RESET.

EXTERIOR LIGHTING CONTROL
ALL OF THE EXTERIOR LIGHTING SHALL BE CONTROLLED, WITH THE EXCEPTION OF THE SECURITY LIGHTS WHICH SHALL OPERATED BY ITS OWN PHOTOCELL. SECURITY LIGHTING IS OPTIONAL.
THE SIGNAGE SELECTOR SWITCH (3-POS.) CONTROLS THE PRIME SIGN, ALL MARQUEE SIGNS, AND SIGNAGE LIGHTS.
ON POSITION: LIGHTING SHALL BE ON PERMANENTLY.
OFF POSITION: LIGHTING SHALL BE OFF PERMANENTLY.
AUTO POSITION: LIGHTING SHALL BE CONTROLLED BY THE PHOTO CELL.
THE LOT LIGHTS THREE POSITION SWITCH WORKS THE SAME AS THE SIGNAGE SWITCH.

NOTE: UNOCCUPIED-OCCUPIED / MASTER RELAY PANEL SHALL BE COMPLETE WHEN SHIPPED TO THE JOB SITE. NO INTERNAL WIRING SHALL BE REQUIRED. MAKE ALL EXTERNAL WIRING CONNECTIONS AS REQUIRED.

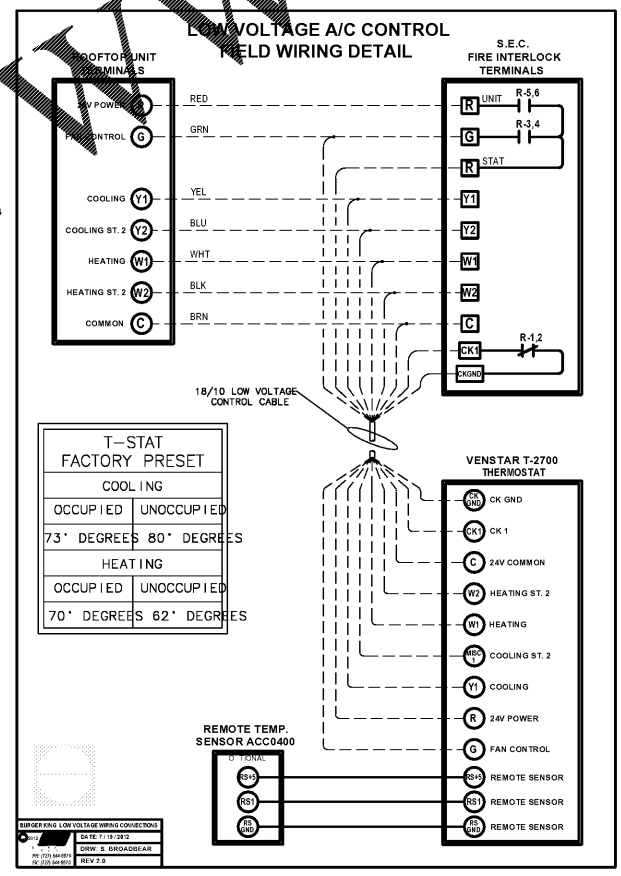
DRAWING INFORMATION table with columns for DATE, DESCRIPTION, and BY.

NCA CONSULTANTS / GROUP logo and address: 4585 140TH AVE. NORTH, SUITE #1001 CLEARWATER, FLORIDA. PHONE: (877) 530-0078. CALL NCA MARKETING FOR PRICING NCA JOB# 19-215

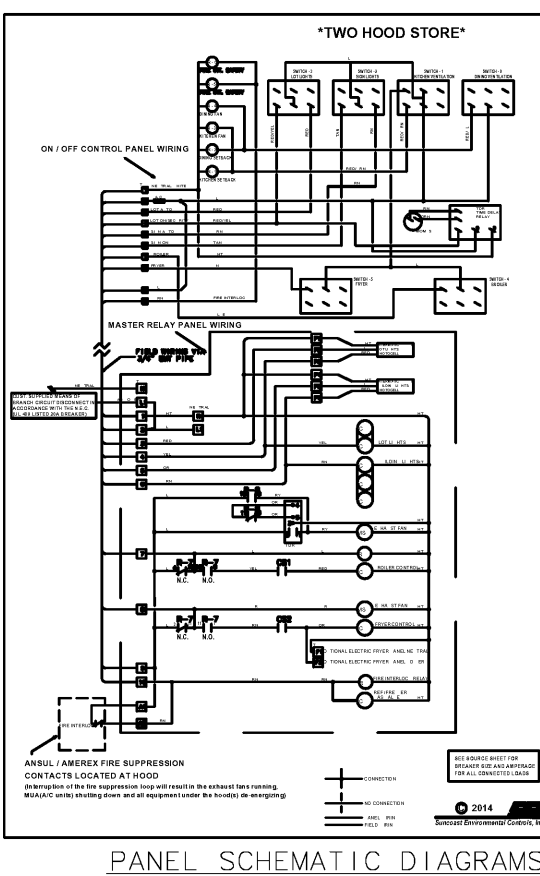
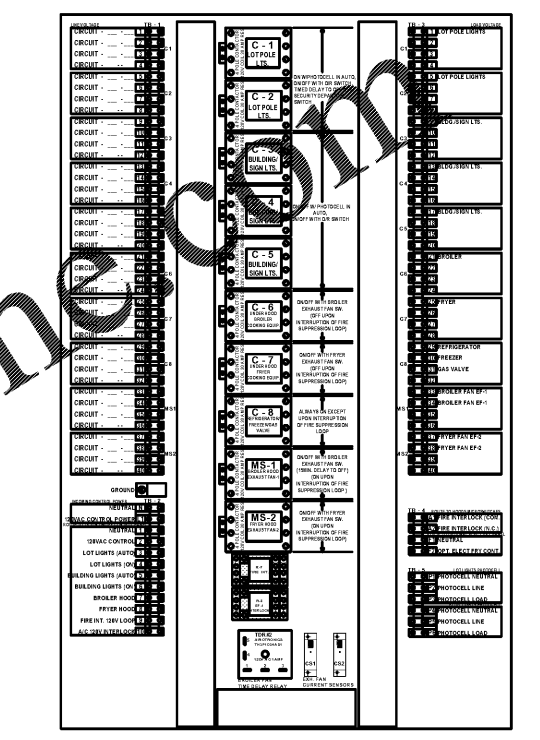
B1931 table with columns for DATE, RELEASE, and FOR CONSTRUCTION.

CHECKED BY: AK CY
DRAWN BY: AK CY
NOTE: THESE DRAWINGS ARE THE PROPERTY OF ARIE KOHN ARCHITECTS, P.C. AND SHALL NOT BE USED, REPRODUCED, AND/OR MODIFIED WITHOUT WRITTEN CONSENT FROM ARIE KOHN ARCHITECTS, P.C.

BRUCE DANIELS CAROLINA FRANCHISE HOLDINGS, LLC P.O. BOX 711 GREENWOOD, SC 29648
AKA ARIE KOHN ARCHITECTS, P.C.
74 WOODSTOCK ROAD, ROSWELL, GA. 30075
TEL: (770) 642-8030 FAX: (770) 642-3755
EMAIL: arie@akohnarch.com



ELECTRICAL CONTRACTOR NOTES:
1. RUN ONE (10) CONDUCTOR 18 GAUGE THERMOSTAT CABLE FROM THE ROOFTOP AIR CONDITIONING UNIT TO THE "UNOCCUPIED-OCCUPIED" PANEL.
2. RUN ONE (10) CONDUCTOR 18 GAUGE THERMOSTAT CABLE FROM THE "UNOCCUPIED-OCCUPIED" PANEL TO THE THERMOSTAT LOCATION.
3. RUN ONE (10) CONDUCTOR 18 GAUGE THERMOSTAT CABLE FROM THE ROOFTOP AIR CONDITIONING UNIT TO THE NIGHT SETBACK THERMOSTAT LOCATION. # NOT CONTROLLED WITH P-314-2700 T-STAT. REFER TO SHEET M-1
4. TERMINATION OF ALL 24 VOLT AIR CONDITIONING CONTROL WIRING SHALL BE DONE BY THE MECHANICAL CONTRACTOR.
5. ELECTRICAL CONTRACTOR SHALL RUN LINE VOLTAGE FROM THE CURRENT SENSOR LOCATED IN THE BROILER HOOD EXHAUST FAN TO THE CONTACTOR PANEL LOCATED BY THE SWITCHGEAR.



© Copyright 2019- Drawings, specifications, notes, database, computer files, field data, and reports as instruments of service prepared by the Design of Record. As instruments of services, these items remain the property of the Design of Record, who shall retain all statutory and other reserved rights, including the copyright thereto. Any use, reproduction or changes to these documents without written consent of NCA Consultants is a violation of federal copyright laws.

PROJECT: B1931
DATE: 07/22/2019
SC HWY. S-781 & SC HWY. 125
BEECH ISLAND, SC 29942
BURGER KING RESTAURANT
#026-20-03-003
INTERLOCK PANEL DETAILS (FOR REFERENCE ONLY)
E-5