

DATE	RELEASE
	FOR CONSTRUCTION

CHECKED BY: AK
DRAWN BY: CY

NOTE:
THESE DRAWINGS ARE THE
PROPERTY OF ARIE KOHN
ARCHITECTS, P.C. AND SHALL
NOT BE USED, REPRODUCED,
AND/OR MODIFIED WITHOUT
WRITTEN CONSENT FROM ARIE
KOHN ARCHITECTS, P.C.

DRAWING INFORMATION

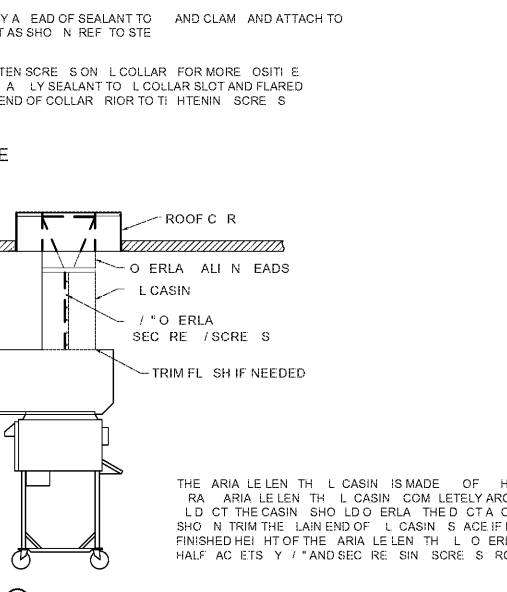
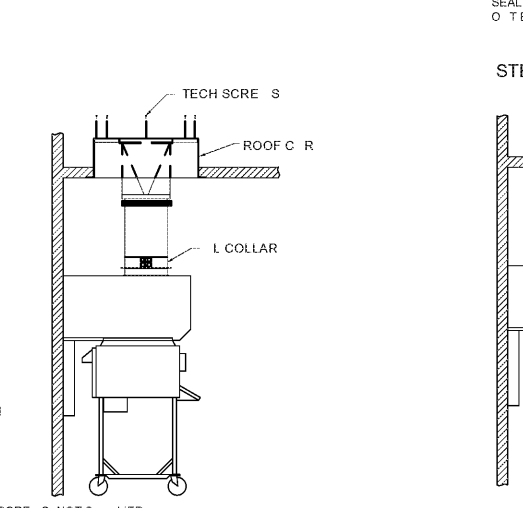
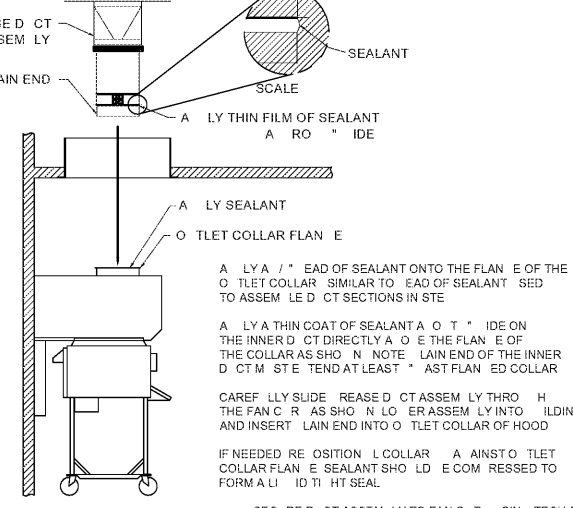
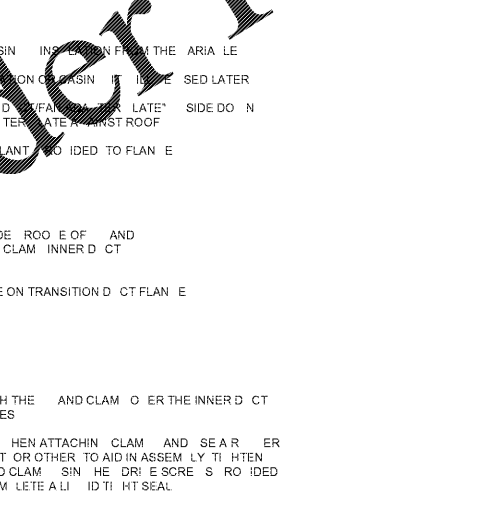
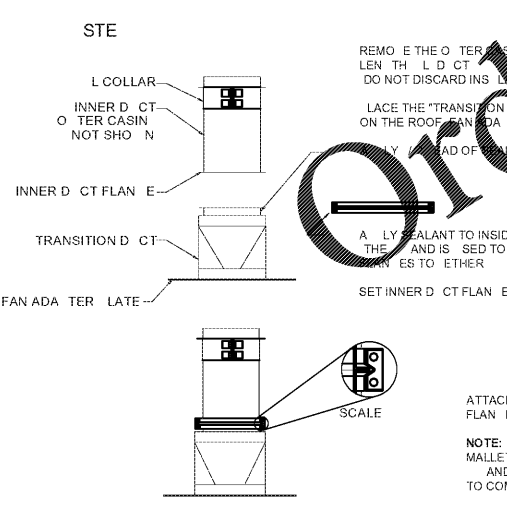
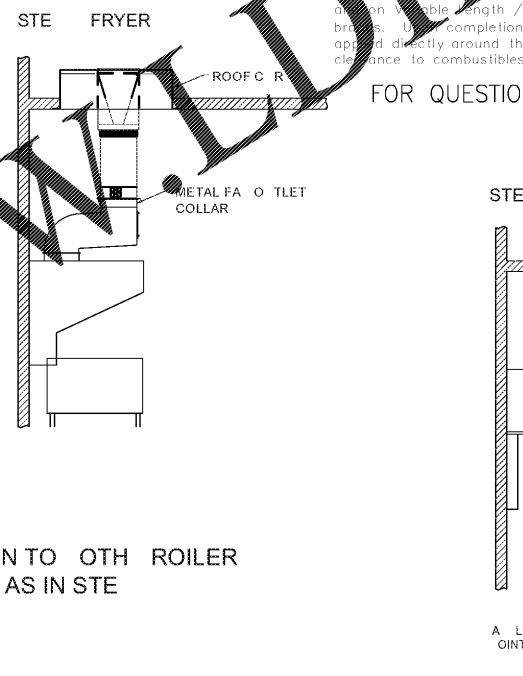
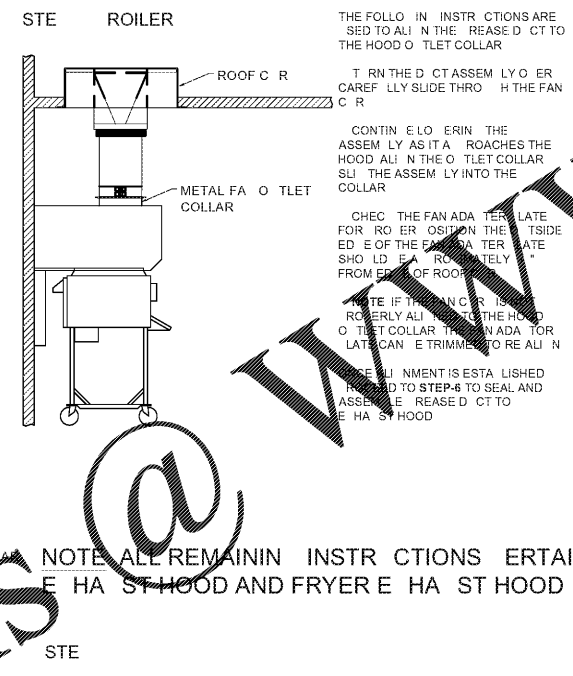
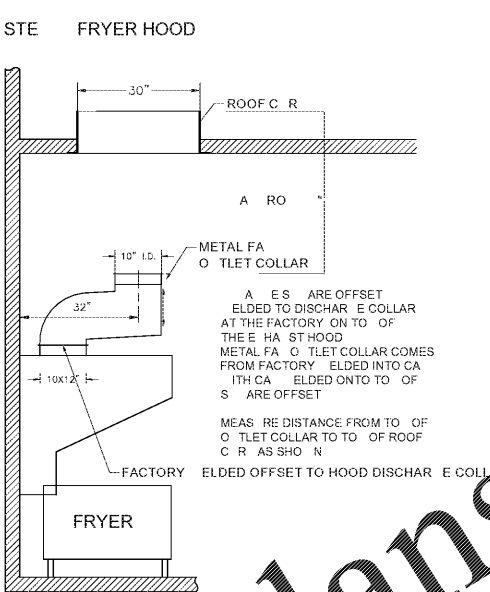
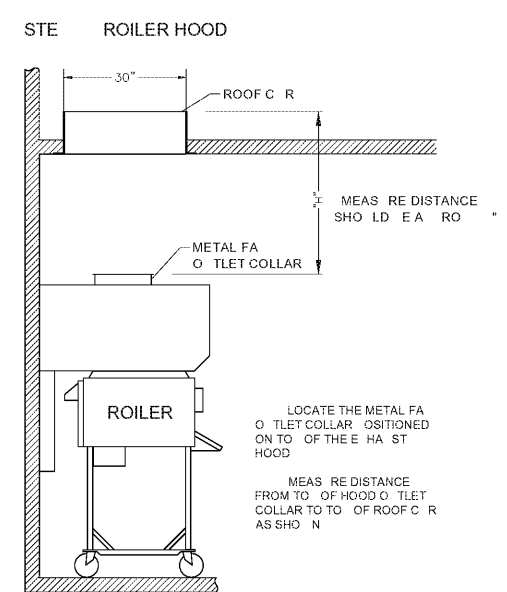
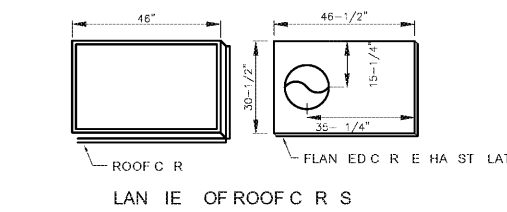
DATE	DESCRIPTION	BY
08-01-19	FOR CONSTRUCTION	KM

N C A
CONSULTANTS / GROUP

4585 140TH AVE. NORTH, SUITE #1001
CLEARWATER, FLORIDA
PHONE: (877) 530-0078
CALL NCA MARKETING FOR PRICING
NCA JOB# 19940

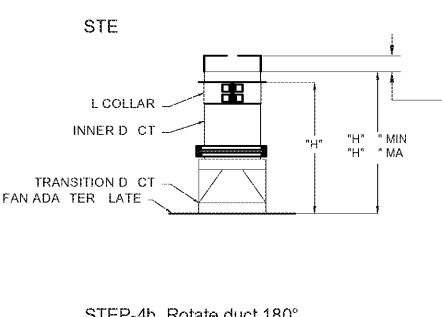
- A COORDINATE WITH THE LATEST FITCHEN'S ELEMENTS PRIOR TO INSTALLATION OF CURB VERIFY WITH GENERAL CONTRACTOR (G.C.) AND L.M.C. THE LOCATION OF THE ROOF AND ENIN FROM FLOOR TO DEC
- C LACE CURB ENIN WITH SIN DIMENSION IN EN ELO
- D WHEN REASE PLAN EARRIES LACE ON CURB WITH ROOF ENIN ENIN IN DEC

HVAC CONTRACTOR SHALL NOT DISASSEMBLE THE EXHAUST FAN TO RECONFIGURE THE EXHAUST DISCHARGE



NOTE: ALL REMAINING INSTRUCTIONS PERTAIN TO OTHER ROILER EXHAUST HOOD AND FRYER EXHAUST HOOD AS IN STEP 6.

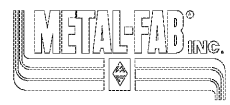
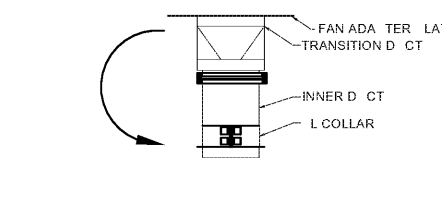
6. HVAC CONTRACTOR SHALL PROVIDE AND INSTALL HIGH TEMP SEALANT OR GASKET TO THE OUTER PERIMETER OF THE GREASE FLANGE.



LOOSEN AND RELOCATE L COLLAR TO "H" DIMENSION AS MEASURED IN STEP 5. REMOVE THE SCREWS ON COLLAR. DO NOT REMOVE COLLAR FROM 1" SECTION.

IF NEEDED TRIM EXCESS DUCT LENGTH TO FINISHED LENGTH OF "H" SINCE "H" LENGTH MEASURED IN STEP 5.

NOTE: FINISHED LENGTH OF "H" * MINIMUM TO "H" * MAXIMUM IS ACCEPTABLE.



IPIC-3G Factory-Made Grease Duct Installation Instructions Specific for Burger King Restaurant Installation (Forward Discharge Assembly)

Note: These instructions have been developed in coordination for use with kitchen exhaust hood manufactured by Gaylord, H&K, and Franklin.

GENERAL INFORMATION

Metal-Fab Model IPIC-3G grease duct is "Listed" by Underwriters Laboratories for kitchen exhaust duct application for continuous operation at 500° F and intermittent operation at 2000° F. IPIC-3G is further "Classified" by Underwriters Laboratories as equivalent to a 2-hr. fire rated grease duct enclosure as per UL 268 test standard and listed for 70 inch clearance to combustibles for sizes up to and including 24-inch inside diameter.

During installation, field application of factory-supplied insulation must be installed at joints application of continuous insulation at 500° F and intermittent operation at 2000° F. IPIC-3G is further "Classified" by Underwriters Laboratories as equivalent to a 2-hr. fire rated grease duct enclosure as per UL 268 test standard and listed for 70 inch clearance to combustibles for sizes up to and including 24-inch inside diameter.

FOR QUESTIONS CALL METAL-FAB @ 1-800-835-2830 X 4165

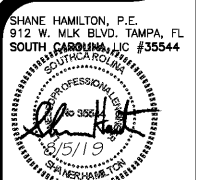
Order Plans @ WWW.DIYLine.com

Shane R. Hamilton P.E. CONSULTING ENGINEER
912 W. Dr. Martin Luther King Jr. Blvd Tampa, FL 33603 (813) 251-8848

DRAWINGS FOR:
BRUCE DANIELS
CAROLINA FRANCHISE
HOLDINGS, LLC
P.O. BOX 711
GREENWOOD, SC 29648



AKA
ARIE KOHN ARCHITECTS, P.C.
74 WOODSTOCK ROAD, ROSWELL, GA. 30075
TEL. (770) 642-8030 FAX. (770) 642-3765
EMAIL: arie@akoharch.com



PROJECT: B1931
DATE: 07/22/2019
SC HWY. S-781 & SC HWY. 125
BEECH ISLAND, SC 29842
BURGER KING RESTAURANT
#026-20-03-003
HOOD DUCT INSTALLATION DETAILS

© Copyright 2019- Drawings, specifications, notes, database, computer files, field data, and reports as instruments of service prepared by the Design of Record. As instruments of services, these items remain the property of the Design of Record, who shall retain all statutory and other reserved rights, including the copyright thereto. Any use, reproduction or changes to these documents without written consent of NCA Consultants is a violation of federal copyright laws.