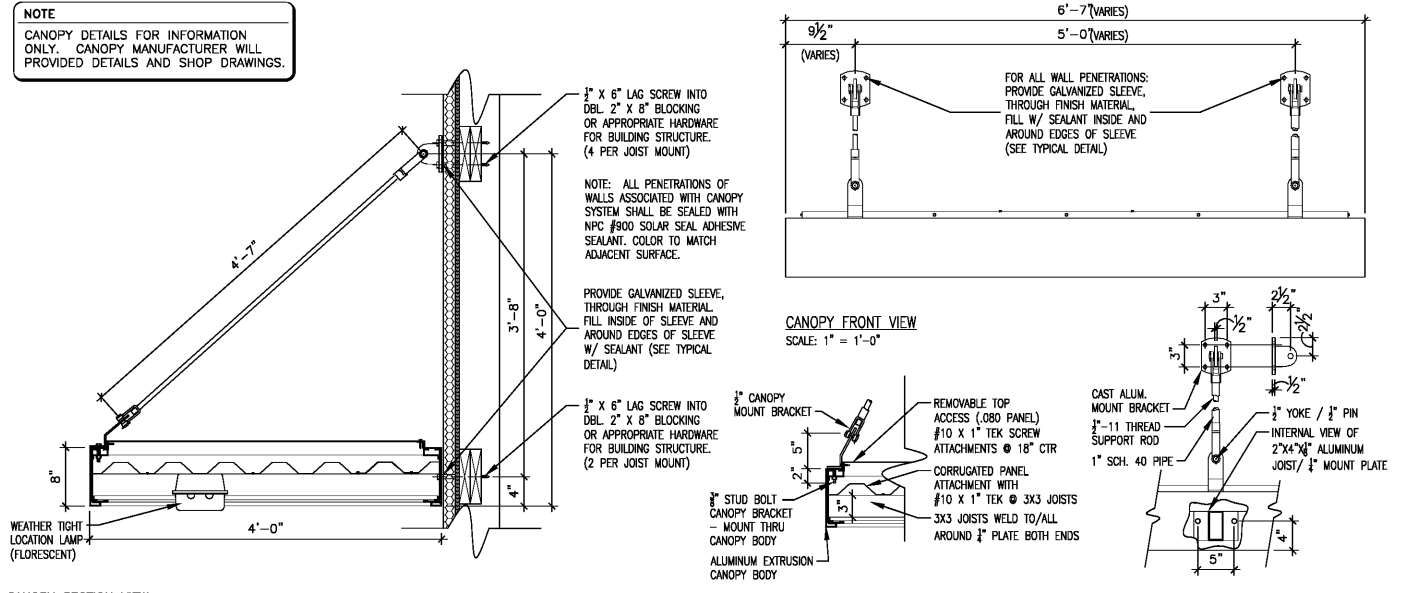


**NOTE**  
CANOPY DETAILS FOR INFORMATION ONLY. CANOPY MANUFACTURER WILL PROVIDE DETAILS AND SHOP DRAWINGS.



CANOPY SECTION VIEW SCALE: 1" = 1'-0"

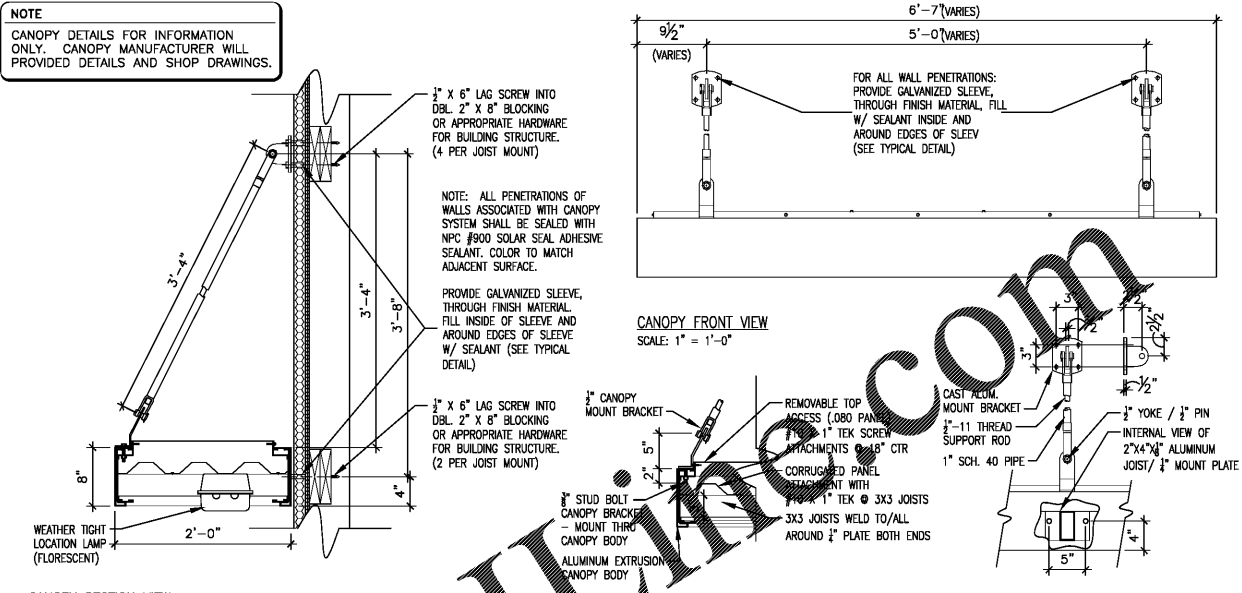
CANOPY FRONT VIEW SCALE: 1" = 1'-0"

CANOPY SECTION TIE ROD SUPPORT SCALE: 1" = 1'-0"

CANOPY TIE ROD SUPPORT DETAIL SCALE: 1" = 1'-0"

 <b>Uni-Structures, Inc.</b> 8540 Cobb Center Dr., Ste 100 Kennesaw, GA 30152	CLIENT:	STORE #: ####	<b>4FT. 20/20</b> <b>BURGER KING</b> <b>BUILDING CANOPY</b>	
	LOCATION: N/A	DWG #: 4969		
	FILE LOCATION: DWG\US\BURGER KING\JOBS 2010	SCALE: 1" = 1'-0"		DATE: 07-16-10
	SALES: N/A	DESIGNER: CJ MAYS		PAGE 3 OF 3

**NOTE**  
CANOPY DETAILS FOR INFORMATION ONLY. CANOPY MANUFACTURER WILL PROVIDE DETAILS AND SHOP DRAWINGS.



CANOPY SECTION VIEW SCALE: 1" = 1'-0"

CANOPY FRONT VIEW SCALE: 1" = 1'-0"

CANOPY SECTION TIE ROD SUPPORT SCALE: 1" = 1'-0"

CANOPY TIE ROD SUPPORT DETAIL SCALE: 1" = 1'-0"

 <b>Uni-Structures, Inc.</b> 8540 Cobb Center Dr., Ste 100 Kennesaw, GA 30152	CLIENT:	STORE #: ####	<b>2FT. 20/20</b> <b>BURGER KING</b> <b>BUILDING CANOPY</b>	
	LOCATION: N/A	DWG #: 4969		
	FILE LOCATION: DWG\US\BURGER KING\JOBS 2010	SCALE: 1" = 1'-0"		DATE: 07-16-10
	SALES: N/A	DESIGNER: CJ MAYS		PAGE 2 OF 3

CANOPY DETAILS FOR INFORMATION ONLY. CANOPY MANUFACTURER WILL PROVIDE DETAILS AND SHOP DRAWINGS.

Order Plans @ WWW.WORKINGDRAWINGS.COM

**B1931**

DATE	RELEASE
08.26.19	FOR CONSTRUCTION

CHECKED BY: AK  
DRAWN BY: CY

**NOTE:**  
THESE DRAWINGS ARE THE PROPERTY OF ARIE KOHN ARCHITECTS, P.C. AND SHALL NOT BE USED, REPRODUCED, AND/OR MODIFIED WITHOUT WRITTEN CONSENT FROM ARIE KOHN ARCHITECTS, P.C.

**DRAWINGS FOR:**  
**BRUCE DANIELS**  
**CAROLINA RE HOLDINGS, LLC**  
P.O. BOX 711  
GREENWOOD, SC 29649  
**646-462-5481**

**ARIE KOHN ARCHITECTS, PC**  
74 WOODSTOCK ROAD ROSWELL, GA 30075  
TEL: (770) 642-9030 FAX: (770) 642-3785  
EMAIL: arie@akohmarch.com



SC HWY. S-781 & SC HWY. 125  
BEECH ISLAND, SC 29642

PROJECT: B1931  
DATE: 07/22/2019

**BURGER KING**  
**RESTAURANT**  
#026-20-03-003

CANOPY DETAILS (REFERENCE ONLY)

**A-7.3**