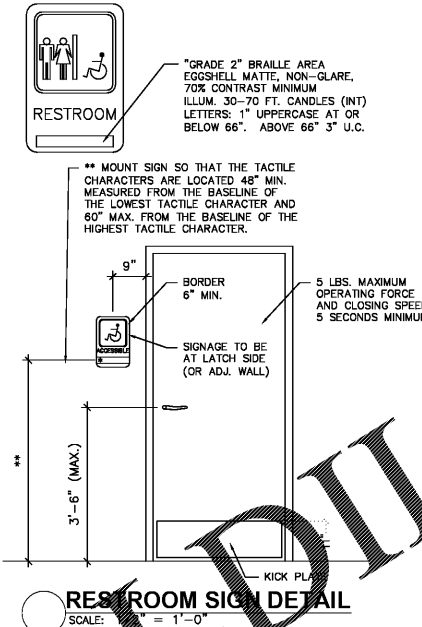
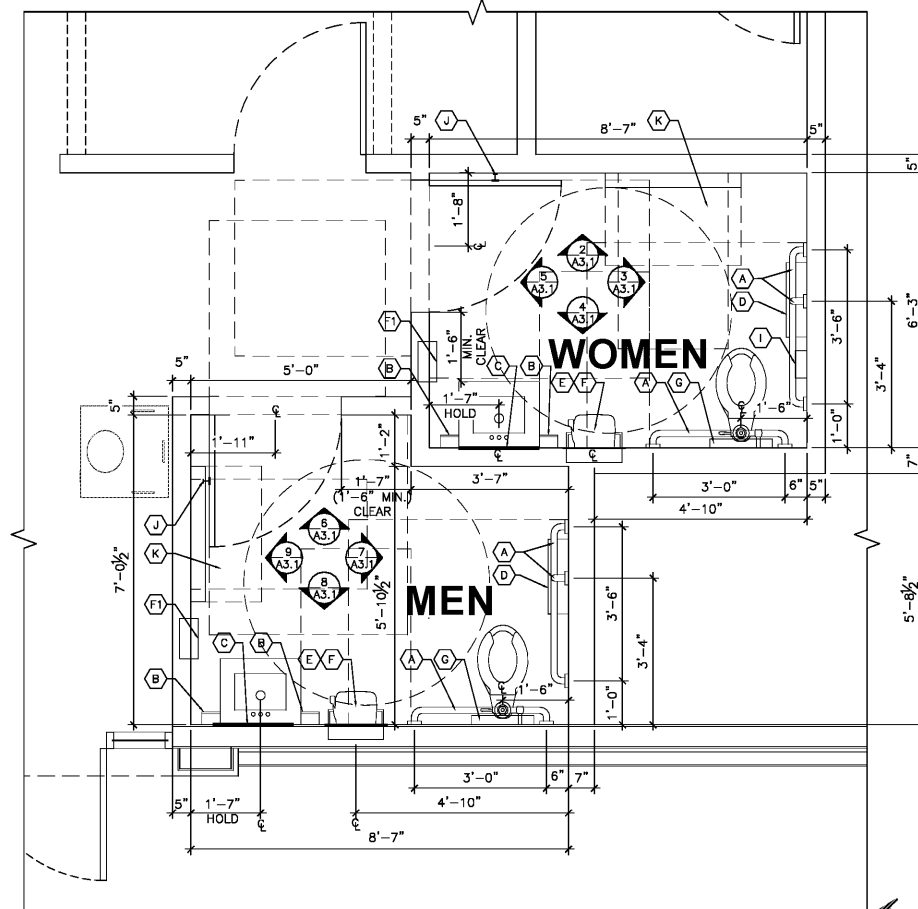


NOTE:
G.C. TO ENSURE THAT ALL DIMENSIONS BETWEEN FINISH WALLS AS SHOWN ON SHEET A-1.0 AND ALL OTHER DIMENSIONS SPELLED OUT ARE MET. DIMENSIONS ARE CRITICAL IN ORDER TO COMPLY TO ACCESSIBILITY.



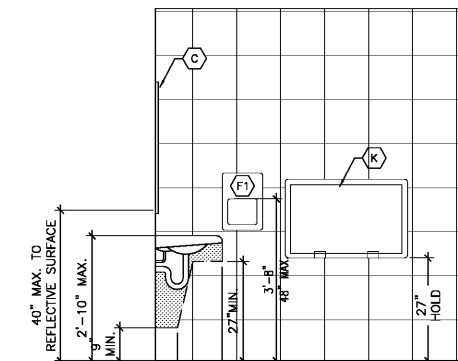
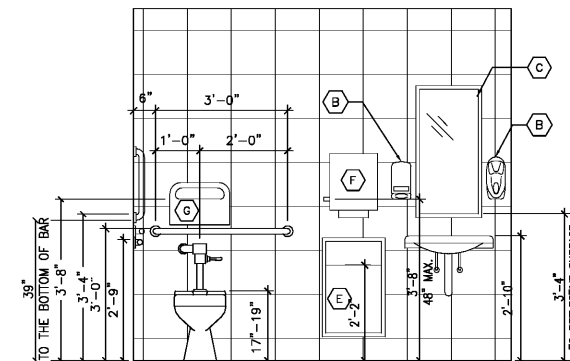
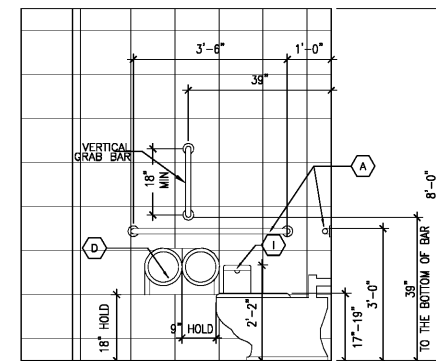
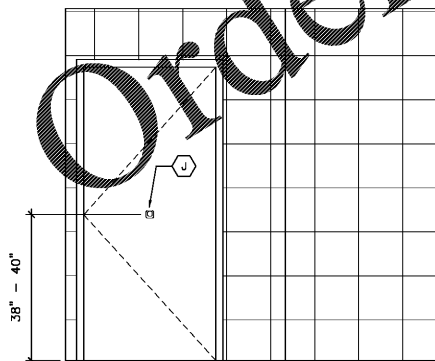
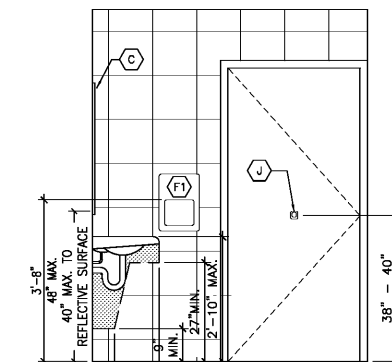
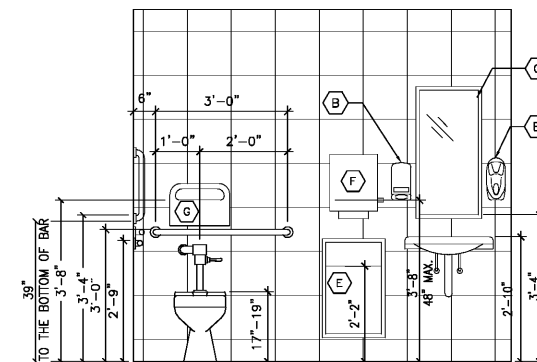
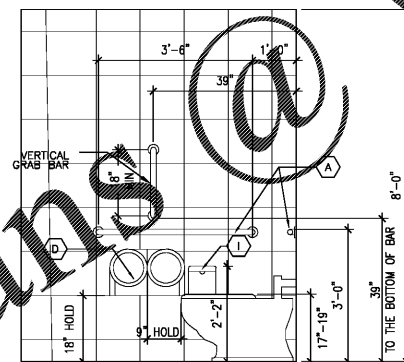
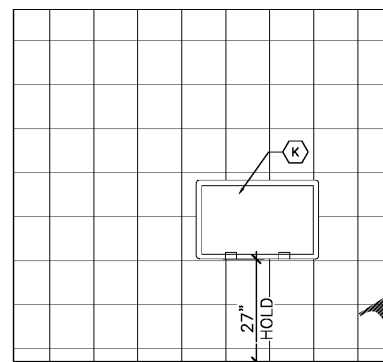
GENERAL NOTES:

- A. FOR INTERIOR FINISHES, REFER TO INTERIOR DECOR SHEETS.
- B. PLUMBING FIXTURES TO BE PROVIDED BY THE GENERAL CONTRACTOR.
- C. ALL PLUMBING FIXTURES, FAUCETS AND ACCESSORIES TO BE ADA COMPLIANT.
- D. ALL EXPOSED PIPING UNDER LAVATORIES TO BE INSULATED TO PROTECT FROM CONTACT. THERE SHALL BE NO SHARP OR ABRASIVE SURFACES UNDER LAVATORIES.

RESTROOM / KITCHEN ACCESSORIES:

- A. GRAB BAR: BOBRICK 250 LBF. MINIMUM 33" MIN. TO 36" MAX. HEIGHT TO THE TOP OF THE GRIPPING SURFACE. PROVIDE THE REQUIRED QUANTITY AND LENGTH AS INDICATED ON THE DRAWINGS OR AS REQUIRED BY THE GOVERNING CODE. THE BAR SHALL BE 1-1/2" IN DIAMETER AND MOUNTED WITH 1-1/2" CLEARANCE FROM THE WALL.
- B. WALL MOUNTED SOAP DISPENSER AND HAND SANITIZER DISPENSER (36" MAX. HEIGHT) SUPPLIED BY "ECOLAB" AND INSTALLED BY THE G.C. NOTE: SOAP AND HAND SANITIZER DISPENSERS TO BE PROVIDED AT EACH KITCHEN HANDSINK.
- C. MIRROR: (BOTTOM OF REFLECTIVE SURFACE AT 48" MAXIMUM HEIGHT) MODEL B-165-1836 (18"x36") STAINLESS STEEL CHANNEL FRAME MIRROR WITH THEFT RESISTANT SCREWS BY BOBRICK OR APPROVED EQUIVALENT.
- D. TOILET PAPER HOLDER: OPTION 1: BOBRICK B-388 SUPPLIER - HAINES JONES & CADBURY OPTION 2: 9" TWIN RING MODEL #56220 BY NORTH AMERICAN CORPORATION.
- E. PAPER WASTE RECEPTACLE: (MOUNTED) MODEL B-3644 AS MANUFACTURED BY BOBRICK OR APPROVED EQUIVALENT. (ROUGH OPENING 17-3/16"W x 30-5/8"H x 8-1/8"D MIN.)
- F. REQUIRED: - PAPER TOWEL DISPENSER: BOBRICK B-359 SUPPLIED BY HAINES JONES & CADBURY AND INSTALLED BY THE G.C.
- G. REQUIRED: - ELECTRIC HAND DRYER: ASI ROVAL SERIES AUTOMATIC TOUCH-FREE SENSITIVE HAND DRYER. ASI ROVAL 20199
- H. NOTE: HAND DRYER TO BE INSTALLED AT A MAXIMUM HEIGHT OF 48" FROM FINISH FLOOR ELEVATION TO TOP OF SENSOR OR PER ADA REQUIREMENTS. NOTE: PROVIDE PAPER TOWEL DISPENSER "SAN JAMAR" MODEL #1-1490BK AT EACH HAND SINK IN KITCHEN.
- I. TOILET SEAT COVER DISPENSER: BOBRICK B-3013, SUPPLIER - HAINES JONES & CADBURY
- J. SANITARY NAPKIN DISPOSAL: BOBRICK B-353, RECESSED.
- K. COAT HOOK: BOBRICK MODEL B-8717 TO BE MOUNTED ON INSIDE OF EACH RESTROOM DOOR FOR SINGLE OCCUPANCY RESTROOMS AND EACH RESTROOM STALL DOOR FOR MULTIPLE OCCUPANCY RESTROOMS. MOUNT AT 38"-40" A.F.F. FOR ADA ACCESSIBLE LOCATIONS AND AT 48" A.F.F. MAXIMUM FOR NON-ADA ACCESSIBLE LOCATIONS.
- L. BABY CHANGING STATION: KOALA KARE #KB110-SSWM (HORIZONTAL) WALL MOUNTED OR #KB200-01 (HORIZONTAL) WALL MOUNTED IN GREY. SANITARY BED LINERS FOR BABY CHANGING STATION: KOALA KARE #KB150-99
- M. NOTE: CHANGING STATION OPTION TO COMPLY WITH ALL ACCESSIBILITY REQUIREMENTS. PROVIDE BLOCKING AS REQUIRED FOR STATION SUPPORT.

1 ENLARGED RESTROOM PLAN
SCALE: 1/2" = 1'-0"



6 ELEVATION
SCALE: 1/2" = 1'-0"

7 ELEVATION
SCALE: 1/2" = 1'-0"

8 ELEVATION
SCALE: 1/2" = 1'-0"

9 ELEVATION
SCALE: 1/2" = 1'-0"

DATE	RELEASE
08.26.19	FOR CONSTRUCTION

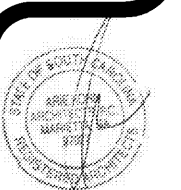
CHECKED BY: AK
DRAWN BY: CY

NOTE: THESE DRAWINGS ARE THE PROPERTY OF ARIE KOHN ARCHITECTS, P.C. AND SHALL NOT BE USED, REPRODUCED, AND/OR MODIFIED WITHOUT WRITTEN CONSENT FROM ARIE KOHN ARCHITECTS, P.C.

DRAWINGS FOR:
BRUCE DANIELS HOLDINGS, LLC
CAROLINA RE HOLDINGS, LLC
P.O. BOX 711
GREENWOOD, SC 29649
646-462-5481



ARIE KOHN ARCHITECTS, PC
74 WOODSTOCK ROAD ROSWELL, GA 30075
TEL (770) 642-9030 FAX (770) 642-3785
EMAIL: arie@skharch.com



PROJECT: B1931
DATE: 07/22/2019

SC HWY. S-781 & SC HWY. 125
BEECH ISLAND, SC 29642

BURGER KING RESTAURANT
#026-20-03-003

ENLARGED RESTROOM PLAN AND ELEVATIONS