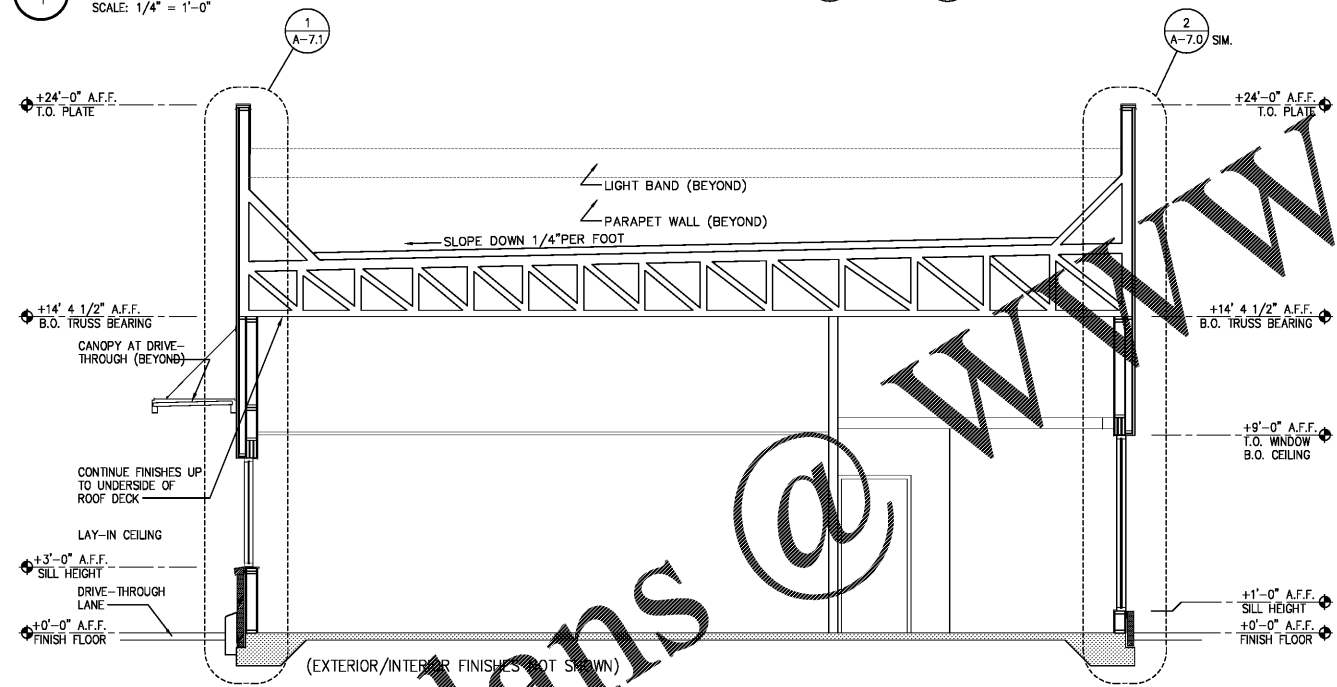
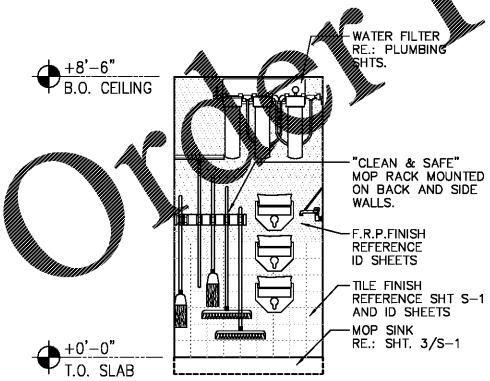


1 BUILDING SECTION
SCALE: 1/4" = 1'-0"



2 BUILDING SECTION
SCALE: 1/4" = 1'-0"



3 INTERIOR ELEVATION
SCALE: 3/8" = 1'-0"

B1931

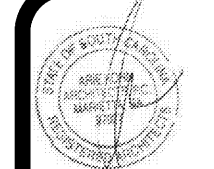
| DATE | RELEASE |
|----------|------------------|
| 08.26.19 | FOR CONSTRUCTION |
| | |
| | |
| | |
| | |
| | |
| | |
| | |
| | |
| | |
| | |
| | |
| | |
| | |
| | |

CHECKED BY: AK
DRAWN BY: CY

NOTE:
THESE DRAWINGS ARE THE PROPERTY OF ARIE KOHN ARCHITECTS, P.C. AND SHALL NOT BE USED, REPRODUCED, AND/OR MODIFIED WITHOUT WRITTEN CONSENT FROM ARIE KOHN ARCHITECTS, P.C.

DRAWINGS FOR:
BRUCE DANIELS
CAROLINA RE HOLDINGS, LLC
P.O. BOX 711
GREENWOOD, SC 29649
646-462-5481

ARIE KOHN ARCHITECTS, P.C.
74 WOODSTOCK ROAD ROSWELL, GA 30075
TEL (770) 642-9030 FAX (770) 642-3785
EMAIL: arie@akohmarch.com



SC HWY. 5-781 & SC HWY. 125 PROJECT: B1931
BEECH ISLAND, SC 29642 DATE: 07/22/2019

BURGER KING RESTAURANT
#026-20-03-003

BUILDING SECTIONS AND INTERIOR ELEVATIONS

A-3.0