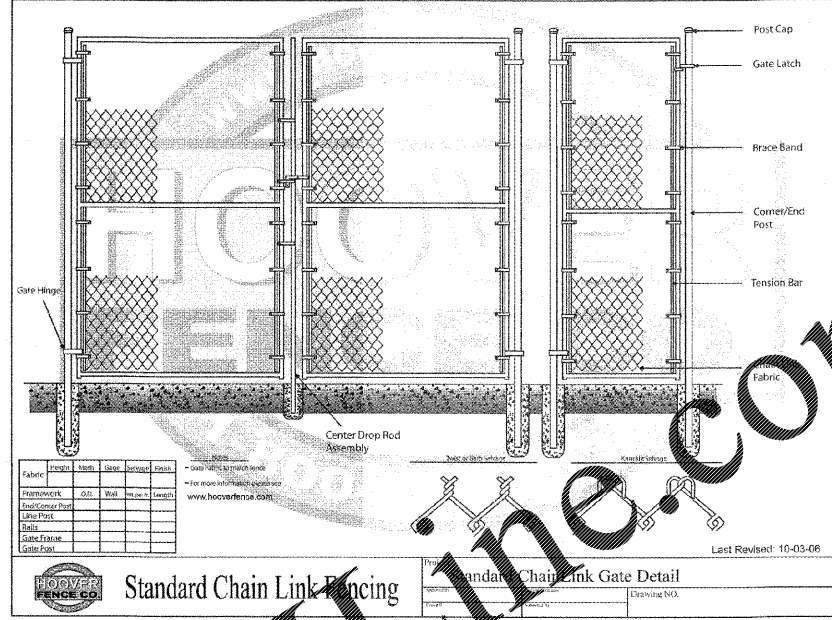
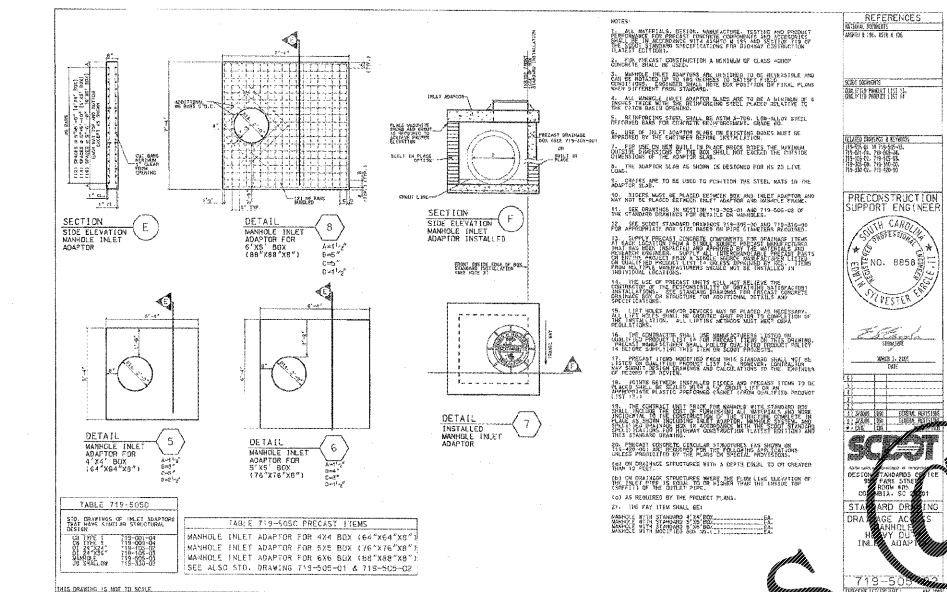


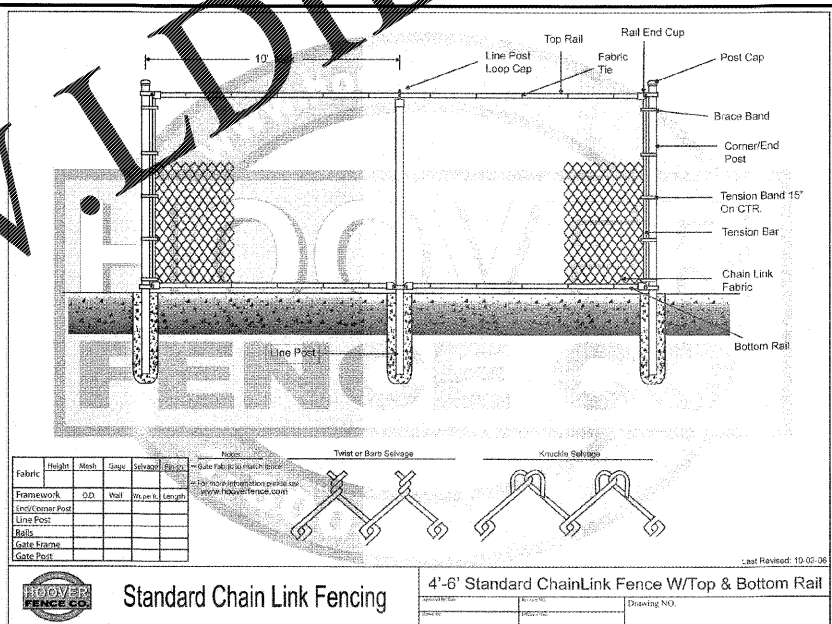
SCDOT DETAIL  
NOT TO SCALE



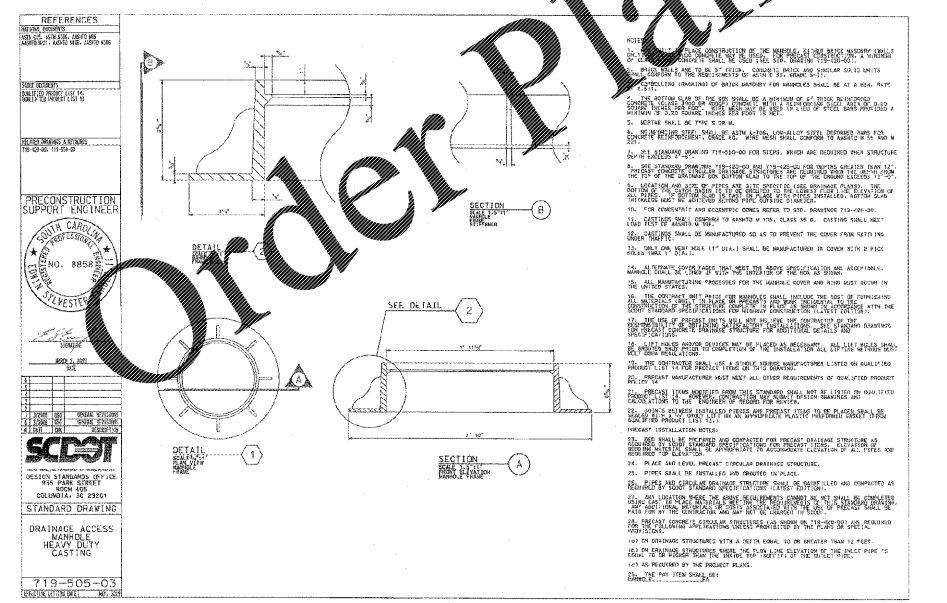
DOUBLE SWING GATE DETAIL  
NOT TO SCALE



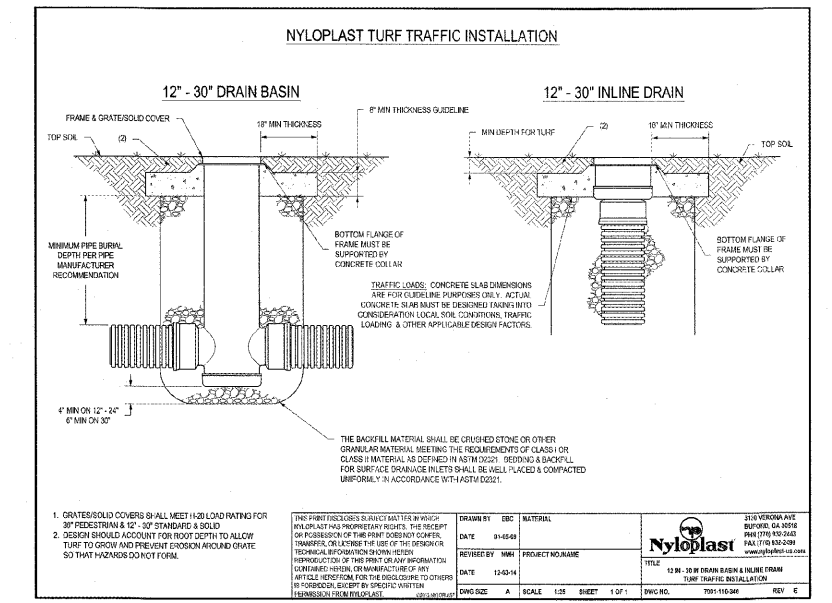
SCDOT DETAIL  
NOT TO SCALE



CHAIN LINK FENCE DETAIL  
NOT TO SCALE



SCDOT DETAIL  
NOT TO SCALE



NYLOPLAST DRAIN DETAIL  
NOT TO SCALE

LECRAW ENGINEERING, INC.  
© 2016 LECRAW ENGINEERING, INC.  
SUITE A  
DULUTH, GA 30098  
PHONE - 404.448.8100  
WWW.LECRAWENGINEERING.COM  
COA-440

NO.	DATE	BY	CHKD	COMMENTS
1				

CLIENT  
CAROLINA RE HOLDINGS, LLC  
300 GALLERIA PARKWAY - ATLANTA, GA 30339

PROJECT  
BURGER KING - BEECH ISLAND, SC  
BEECH ISLAND AVENUE & ATOMIC DRIVE  
AIKEN COUNTY, SOUTH CAROLINA

FOR INFORMATIONAL PURPOSES ONLY

DESIGN TEAM:  
DRAWN BY: MAT  
DESIGNED BY: MAT  
REVIEWED BY: MSL



DETAILS ARE NOT DRAWN TO SCALE

JOB #: 255004  
DATE: JULY 18, 2019  
CONSTRUCTION DETAILS - 4

Drawing name: L:\200904 - Carolina RE Holdings, LLC - Burger King - Beech Island\_SCDOT\CONSTR\TR030004 - 10 - DETAILS.dwg CONSTRUCTION DETAILS - 4 - Aug 28, 2019 8:56am by: michael.tootaker