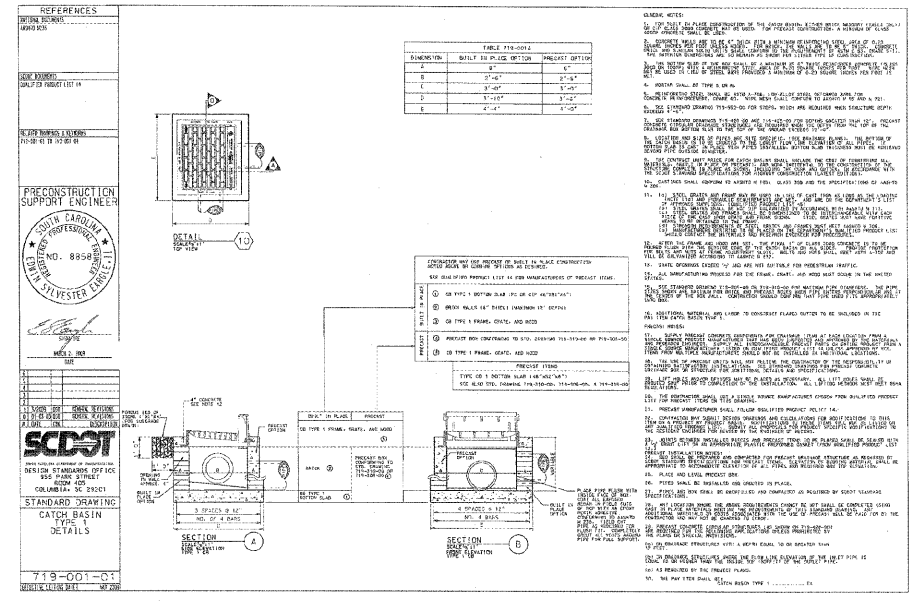
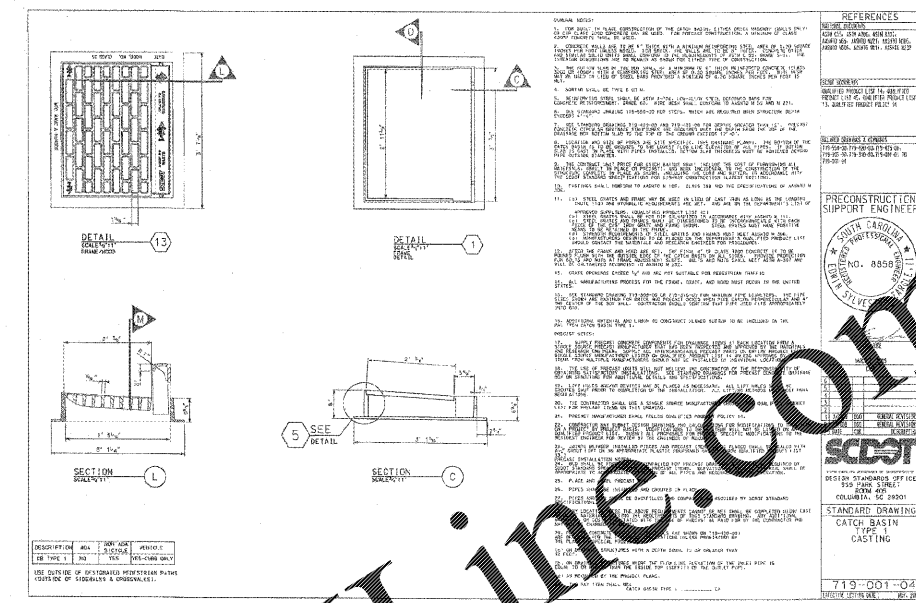


Drawing name: L:\200504 Carolina RE Holdings, LLC - Burger King - Beech Island\_SCDODCONSTRDETAILS - 2 - DETAILS.dwg CONSTRUCTION DETAILS - 2 - Aug 28, 2019 9:58am by: michael.koontzer



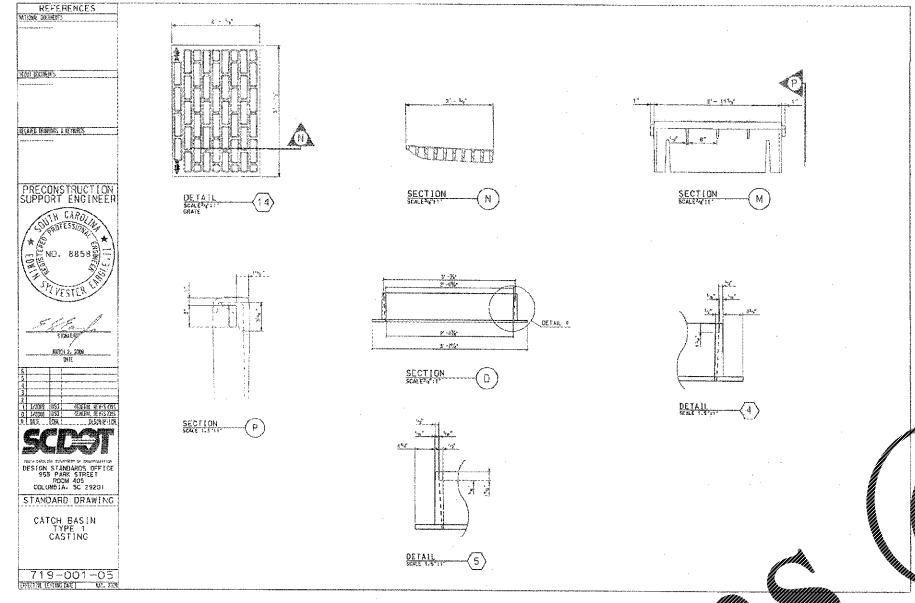
SCDOT DETAIL NOT TO SCALE

1



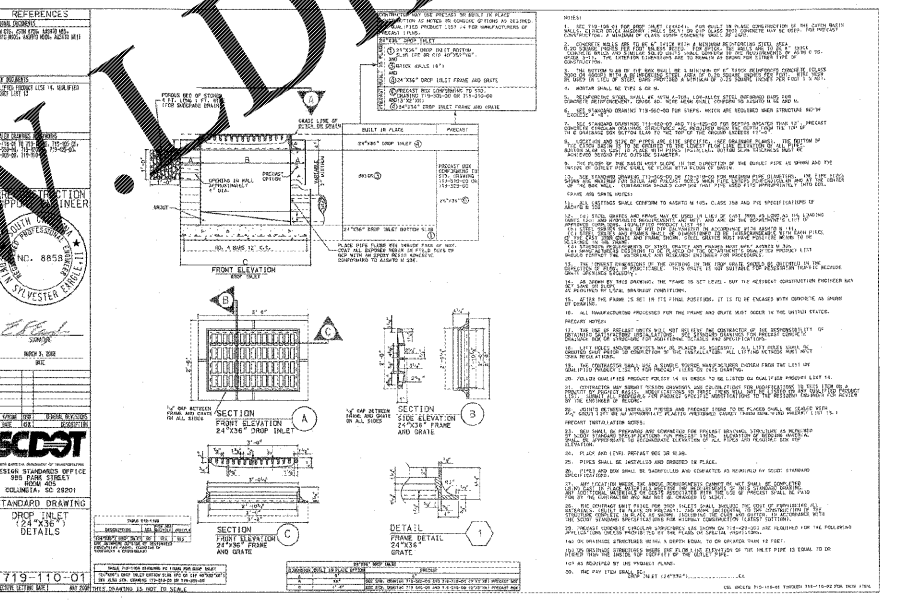
SCDOT DETAIL NOT TO SCALE

2



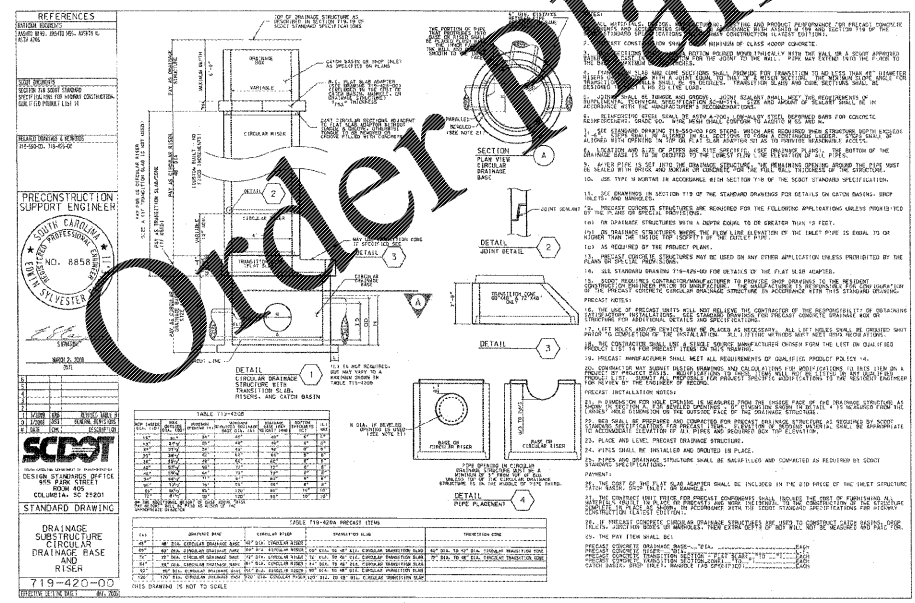
SCDOT DETAIL NOT TO SCALE

3



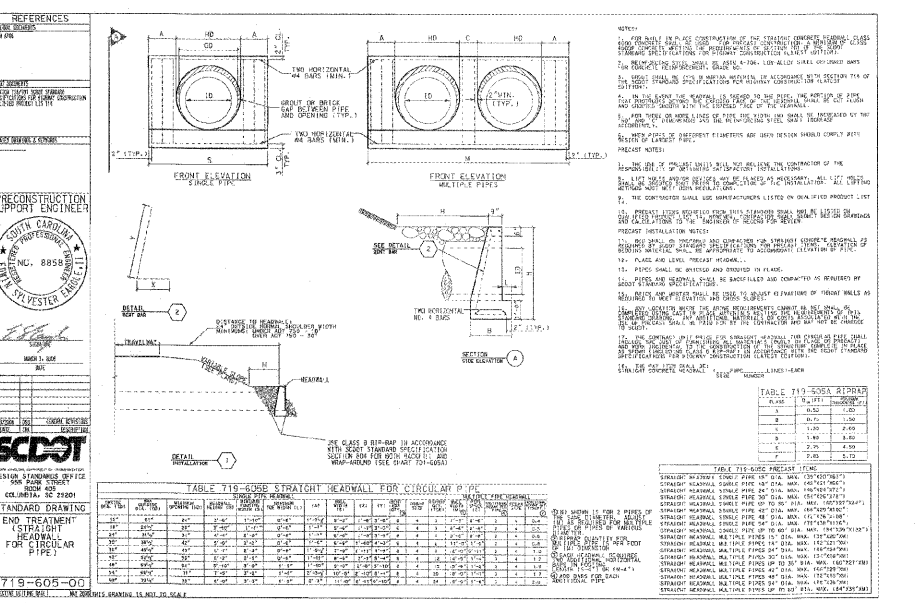
SCDOT DETAIL NOT TO SCALE

4



SCDOT DETAIL NOT TO SCALE

5



SCDOT DETAIL NOT TO SCALE

6

Order Plans @

WWW.LDILLINE.COM

PREPARED IN THE OFFICE OF:  
**LECRAW ENGINEERING**  
 ENGINEERING  
 3475 CORPORATE WAY  
 SUITE A  
 DULUTH, GA 30096  
 PHONE: 770.441.0280  
 FAX: 770.441.0282  
 WWW.LECRAWENGINEERING.COM  
 COA-4400

NO.	DATE	BY	CHECKED
1			

CLIENT:  
**CAROLINA RE HOLDINGS, LLC**  
 300 GALLERIA PARKWAY - ATLANTA, GA 30339

PROJECT:  
**BURGER KING - BEECH ISLAND, SC**  
 BEECH ISLAND AVENUE & ATOMIC DRIVE  
 AIKEN COUNTY, SOUTH CAROLINA

FOR INFORMATIONAL PURPOSES ONLY

DESIGN TEAM:

DRAWN BY:	MAT
DESIGNED BY:	MAT
REVIEWED BY:	MSL

**811**  
 Know what's below.  
 Call before you dig.

DETAILS ARE NOT DRAWN TO SCALE

JOB #:	250004
DATE:	JULY 18, 2019
CONSTRUCTION DETAILS - 2	

C-7.1