

DATE	RELEASE
08.26.19	FOR CONSTRUCTION

CHECKED BY: AK
 DRAWN BY: CY

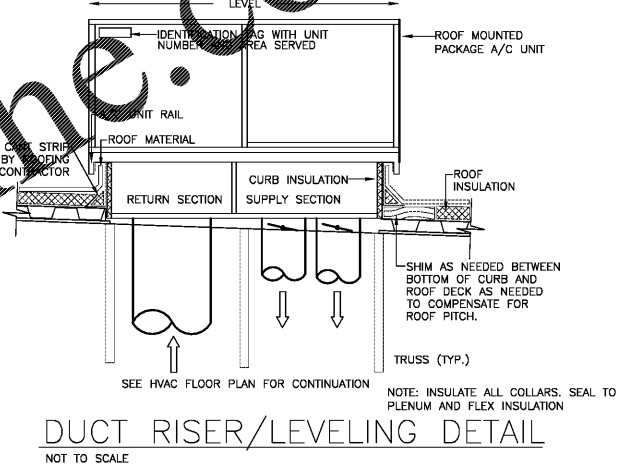
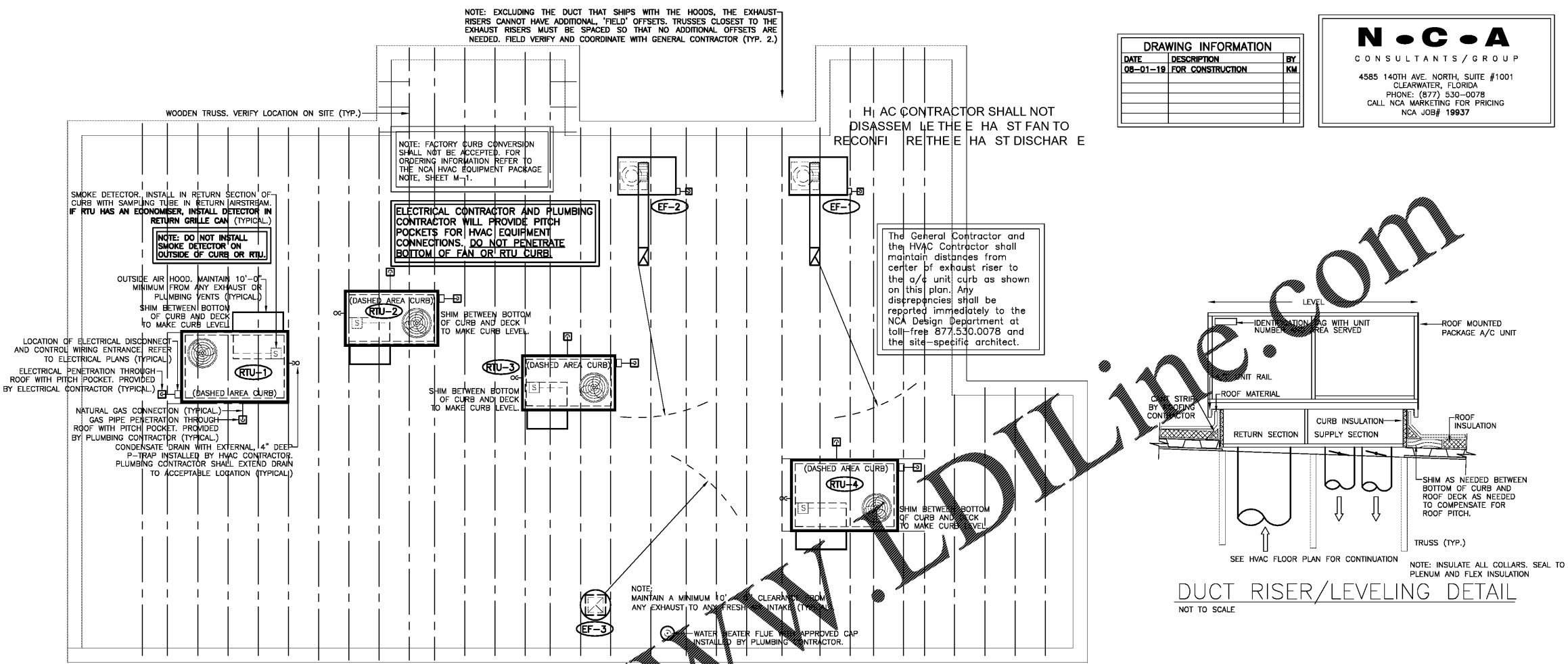
NOTE:
 THESE DRAWINGS ARE THE PROPERTY OF ARIE KOHN ARCHITECTS, P.C. AND SHALL NOT BE USED, REPRODUCED, AND/OR MODIFIED WITHOUT WRITTEN CONSENT FROM ARIE KOHN ARCHITECTS, P.C.

DRAWING INFORMATION

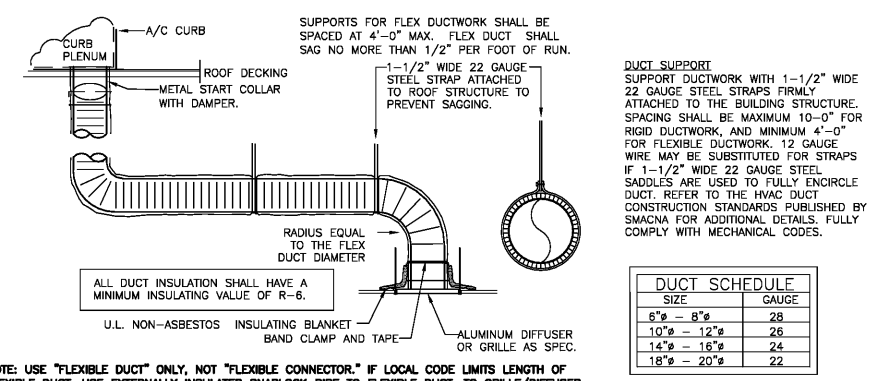
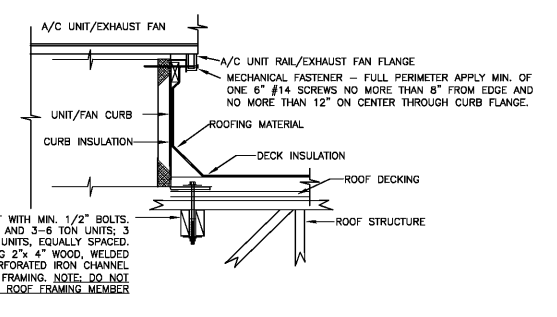
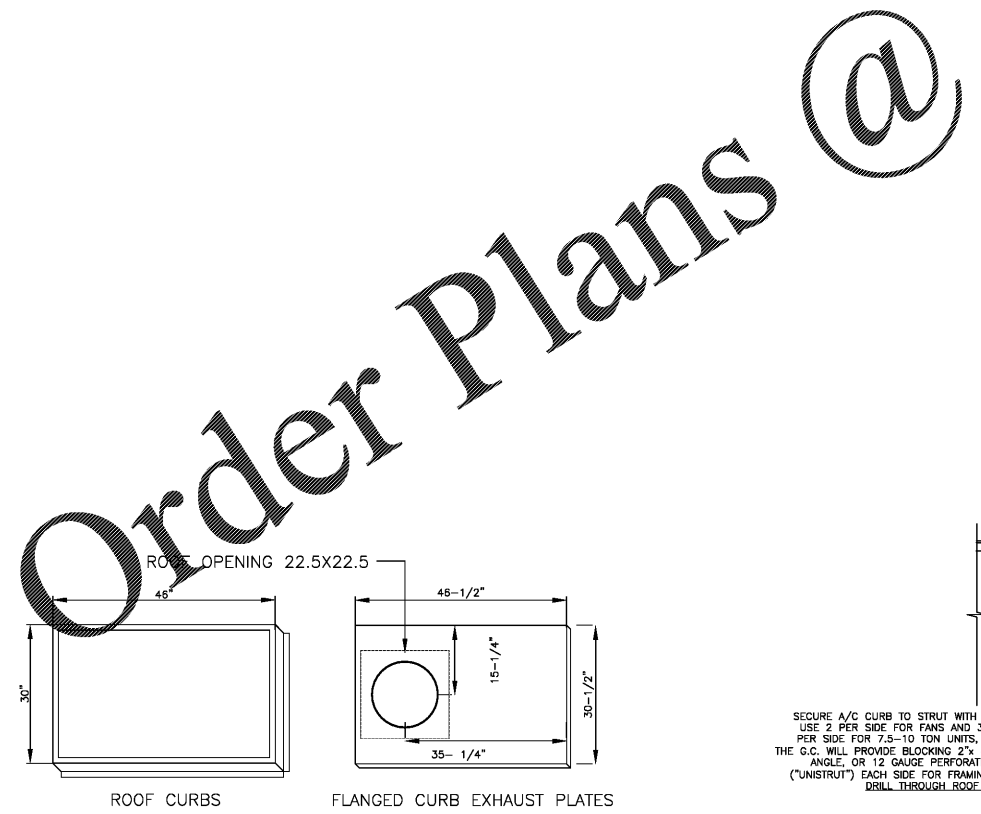
DATE	DESCRIPTION	BY
08-01-19	FOR CONSTRUCTION	KM

N·C·A
 CONSULTANTS / GROUP

4585 140TH AVE. NORTH, SUITE #1001
 CLEARWATER, FLORIDA
 PHONE: (877) 530-0078
 CALL NCA MARKETING FOR PRICING
 NCA JOB# 19937



ROOF PLAN - HVAC
 SCALE 1/4" = 1'-0" WHEN PLOTTED 36" X 24"



NCA PLENUMIZED AC CURB DETAIL
 NOT TO SCALE

FLEXDUCT CONNECTION/INSTALL DETAIL
 NOT TO SCALE

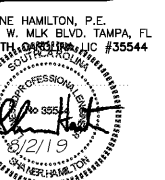
EXHAUST FAN CURB/CURB PLATE
 NOT TO SCALE

ROOF EQUIP. CURB MOUNTING DETAIL
 NOT TO SCALE ACCEPTABLE FOR 140 MPH ZONE

© Copyright 2019- Drawings, specifications, notes, database, computer files, field data, and reports as instruments of service prepared by the Design of Record. As instruments of services, these items remain the property of the Design of Record, who shall retain all statutory and other reserved rights, including the copyright thereto. Any use, reproduction or changes to these documents without written consent of NCA Consultants is a violation of federal copyright laws.



AKA
 ARIE KOHN ARCHITECTS, P.C.
 74 WOODSTOCK ROAD, ROSWELL, GA. 30075
 TEL: (770) 642-8030 FAX: (770) 642-3755
 EMAIL: arie@akoharch.com



PROJECT: B1914
 DATE: 07/22/2019

BURGER KING RESTAURANT
 #06-0008-021-00-00
 HVAC ROOF PLAN AND HVAC DETAILS

