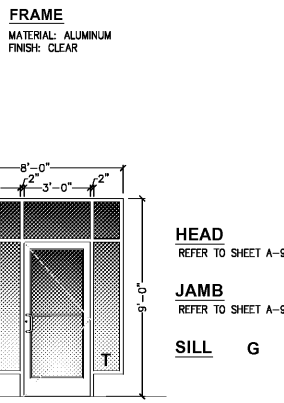


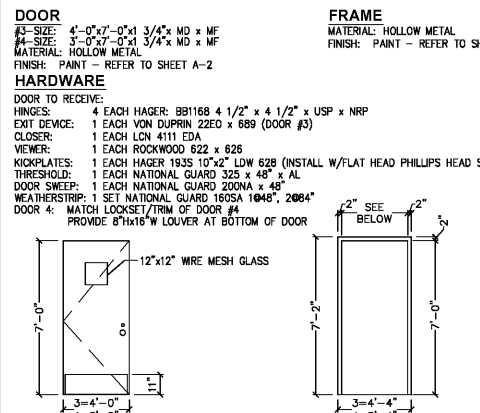
DOOR ①
SCALE: 1/4" = 1'-0"
T = TEMPERED

DOOR FRAME
SCALE: 1/4" = 1'-0"



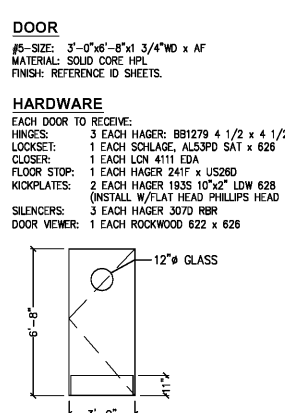
DOOR ②
SCALE: 1/4" = 1'-0"
T = TEMPERED

DOOR FRAME
SCALE: 1/4" = 1'-0"



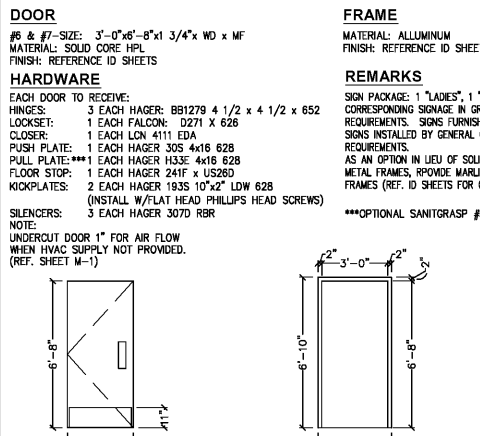
DOOR ③
SCALE: 1/4" = 1'-0"

DOOR FRAME
SCALE: 1/4" = 1'-0"



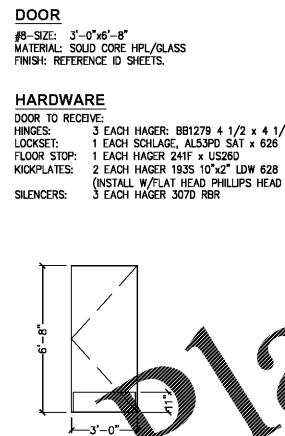
DOOR ⑤
SCALE: 1/4" = 1'-0"

DOOR FRAME
SCALE: 1/4" = 1'-0"



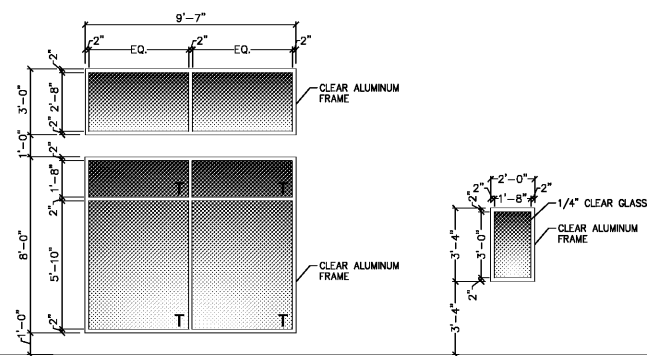
DOOR ⑥
SCALE: 1/4" = 1'-0"

DOOR FRAME
SCALE: 1/4" = 1'-0"



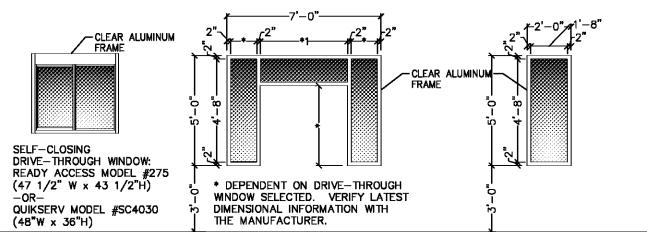
DOOR ⑧
SCALE: 1/4" = 1'-0"

DOOR FRAME
SCALE: 1/4" = 1'-0"



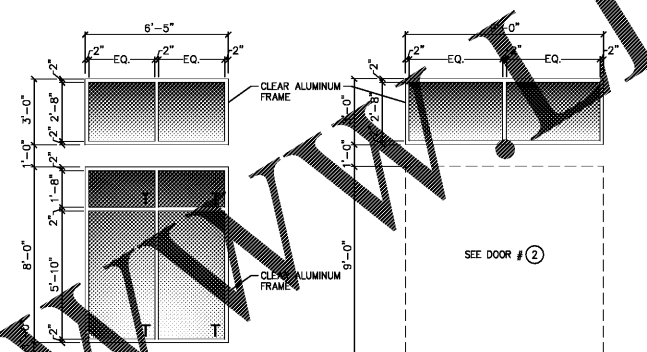
WINDOW A
SCALE: 1/4" = 1'-0"

WINDOW F
SCALE: 1/4" = 1'-0"



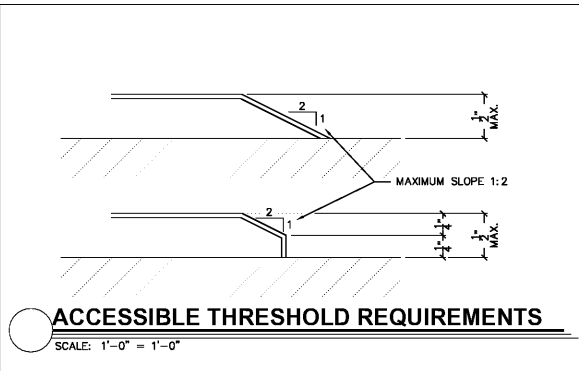
WINDOW B
SCALE: 1/4" = 1'-0"

WINDOW C
SCALE: 1/4" = 1'-0"



WINDOW D
SCALE: 1/4" = 1'-0"

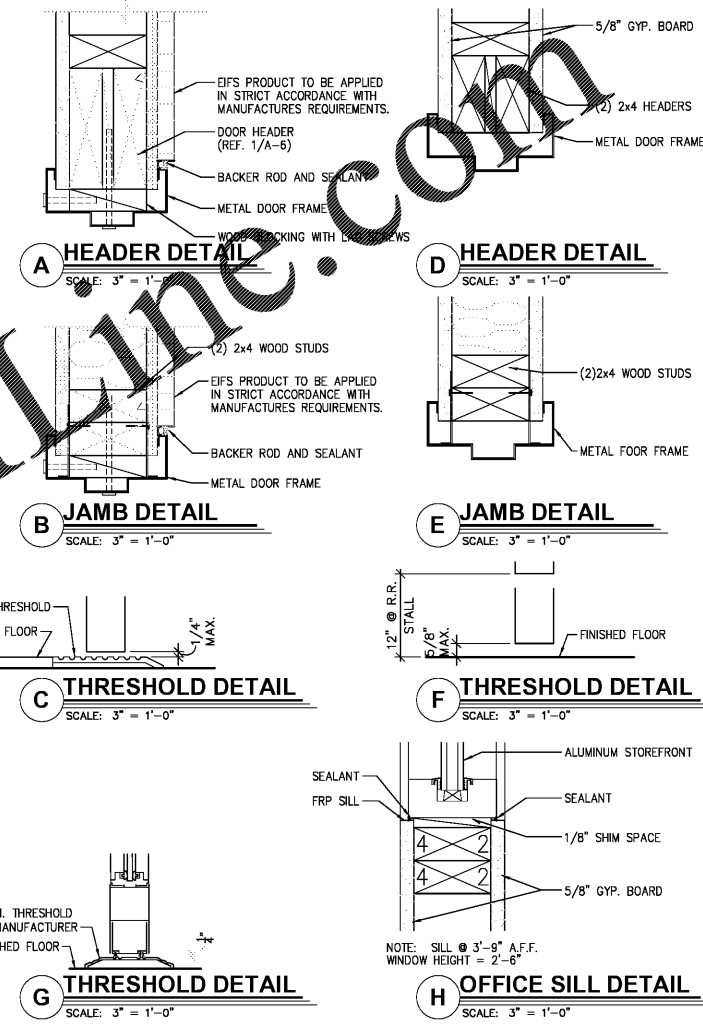
WINDOW E
SCALE: 1/4" = 1'-0"



EXIT DOORS IN PUBLIC AREAS DO NOT REQUIRE EMERGENCY EGRESS DEVICES PER IBC 1010.1.9.3 EX#2:
A READILY VISIBLE DURABLE SIGN IS POSTED ON THE EGRESS SIDE ON OR ADJACENT TO THE DOOR STATING:

"THIS DOOR TO REMAIN UNLOCKED WHEN BUILDING IS OCCUPIED"

THE SIGN SHALL BE IN LETTERS 1 INCH (25 MM) HIGH ON A CONTRASTING BACK-GROUND



Specified Products and Approved Equals			
Hinges - Provide features, functions, size and finish as shown in hardware sets.			
HAGER	BB1279	BB1166	253
MCKINNEY	TA2714	TA43766	
BOMMER	BB5000	BB5004	
Locks - Provide features, functions and finish as shown in hardware sets.			
FALCON - DEADLOCK	D871		NO SUBSTITUTIONS
SCHLAGE	AL53PD	AL405	
YALE	AUS307LN	AUS302LN	
FALCON	B511D	B301D	
Exit Device - Provide features, functions and finish as shown in hardware sets.			
VON DUFFRIN	22 EO		
YALE	2100 EO		
SARGENT	3628 EO		
Closers - Provide features, functions and finish as shown in hardware sets.			
LCN	1461	4115 H-CUSH	
YALE	3301	4428T / 4421T	
DORMA	8616	8916 D8T / 8956 D5T	
Push/Pull, KP, Stops, Etc. - Provide features, functions, size and finish as shown in hardware sets.			
HAGER	KICKPLT 1935	FULL PLT H33E	PUSH PLT 305
ROCKWOOD	K1050 B3E	BFL06 X 70C	70C
TRAMCO	K0050	1017.3-2 PROJ.	1001-3
			1211
			1270WV
			976U
Weatherstripping, Thresholds, Etc. - provide features, functions, size and finish as shown in hardware sets.			
NATIONAL GUARD	THRESHOLD 325A	SWEEP 200NA	WEATHERSTRIP 1605A
FEMKO	229A	31 SCN	303AS
ZERO	1675A	35A	99A

Order Plans @

B1914

DATE	RELEASE
08.26.19	FOR CONSTRUCTION

CHECKED BY: AK
DRAWN BY: CY

NOTE: THESE DRAWINGS ARE THE PROPERTY OF ARIE KOHN ARCHITECTS, P.C. AND SHALL NOT BE USED, REPRODUCED, AND/OR MODIFIED WITHOUT WRITTEN CONSENT FROM ARIE KOHN ARCHITECTS, P.C.

DRAWINGS FOR:
BRUCE DANIELS
CAROLINA RE HOLDINGS, LLC
P.O. BOX 711
GREENWOOD, SC 29649
646-462-5481

ARIE KOHN ARCHITECTS, PC
74 WOODSTOCK ROAD, ROSWELL, GA 30075
TEL: (770) 642-9630 FAX: (770) 642-3785
EMAIL: arie@akarch.com

PROJECT: B1914
DATE: 07/22/2019

BURGER KING RESTAURANT
#06-0008-021-00-00

DOOR AND WINDOW SCHEDULE

A-8.0