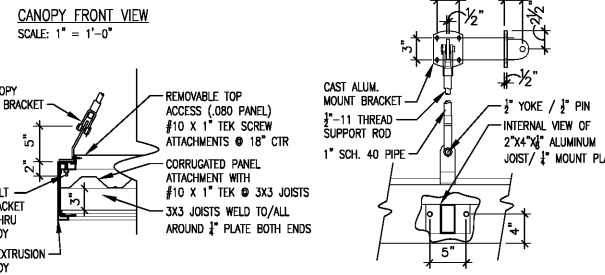
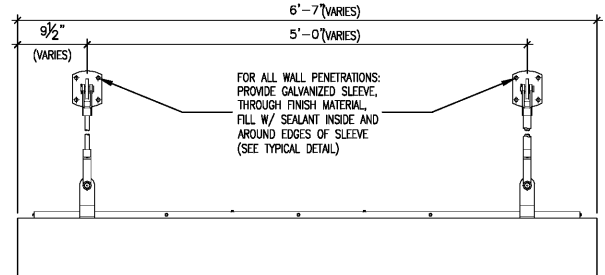
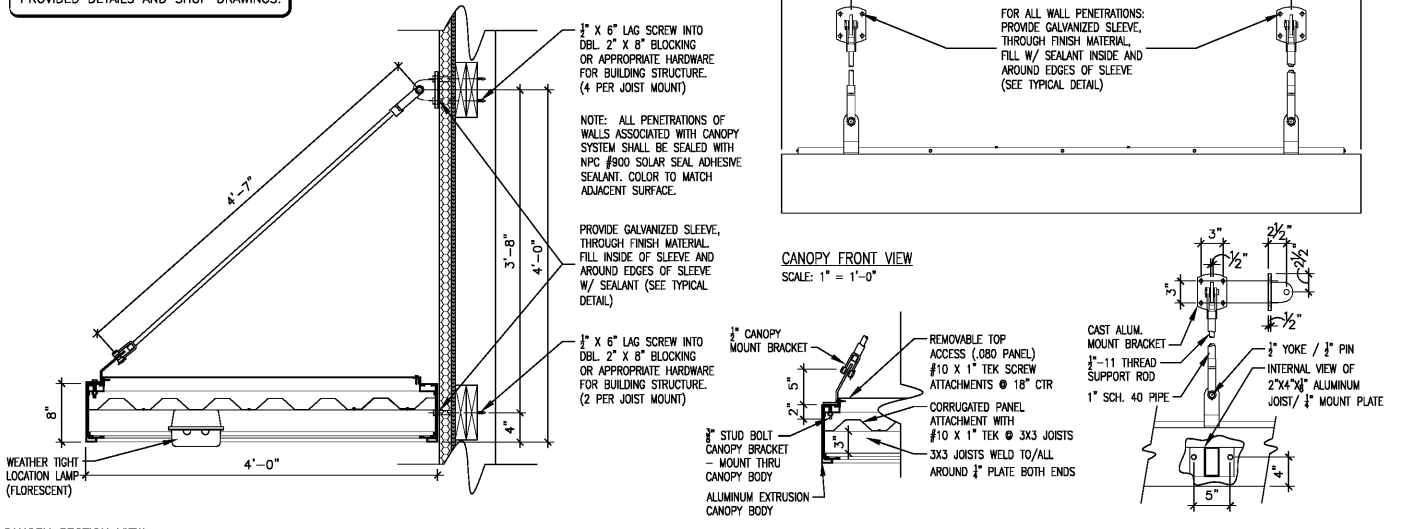


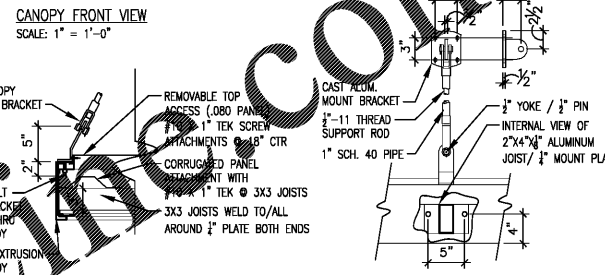
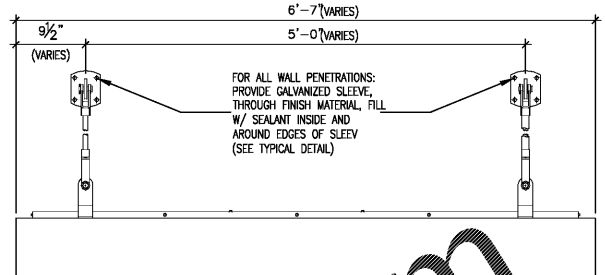
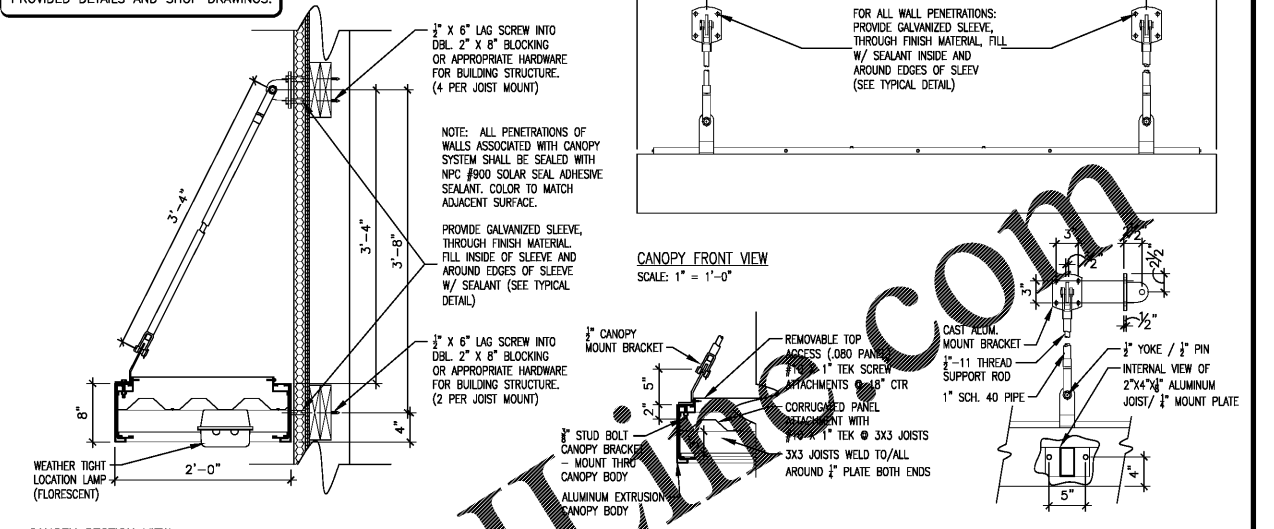
NOTE
CANOPY DETAILS FOR INFORMATION ONLY. CANOPY MANUFACTURER WILL PROVIDE DETAILS AND SHOP DRAWINGS.



CANOPY SECTION VIEW SCALE: 1" = 1'-0"
CANOPY FRONT VIEW SCALE: 1" = 1'-0"
CANOPY TIE ROD SUPPORT SCALE: 1" = 1'-0"

<p>Uni-Structures, Inc. 8540 Cobb Center Dr., Ste 100 Kennesaw, GA 30152</p>	CLIENT:	STORE #: ####	<p>4FT. 20/20 BURGER KING BUILDING CANOPY</p>	
	LOCATION: N/A	DWG #: 4969		
	FILE LOCATION: DWG\US\BURGER KING\JOBS 2010	SCALE: 1" = 1'-0"		DATE: 07-16-10
	SALES: N/A	DESIGNER: CJ MAYS		PAGE 3 OF 3
	<small>NOTE: THIS IS AN ORIGINAL DRAWING BY Uni-Structures, Inc. and SUBMITTED FOR YOUR PERSONAL USE IN CONNECTION WITH A PROJECT BEING PLANNED FOR YOU BY Uni-Structures, Inc. and IS NOT TO BE SHOWN TO ANYONE OUTSIDE YOUR ORGANIZATION, NOR IS IT TO BE USED, COPIED, REPRODUCED, OR EXHIBITED IN ANY MANNER.</small>			

NOTE
CANOPY DETAILS FOR INFORMATION ONLY. CANOPY MANUFACTURER WILL PROVIDE DETAILS AND SHOP DRAWINGS.



CANOPY SECTION VIEW SCALE: 1" = 1'-0"
CANOPY FRONT VIEW SCALE: 1" = 1'-0"
CANOPY TIE ROD SUPPORT SCALE: 1" = 1'-0"

<p>Uni-Structures, Inc. 8540 Cobb Center Dr., Ste 100 Kennesaw, GA 30152</p>	CLIENT:	STORE #: ####	<p>2FT. 20/20 BURGER KING BUILDING CANOPY</p>	
	LOCATION: N/A	DWG #: 4969		
	FILE LOCATION: DWG\US\BURGER KING\JOBS 2010	SCALE: 1" = 1'-0"		DATE: 07-16-10
	SALES: N/A	DESIGNER: CJ MAYS		PAGE 2 OF 3
	<small>NOTE: THIS IS AN ORIGINAL DRAWING BY Uni-Structures, Inc. and SUBMITTED FOR YOUR PERSONAL USE IN CONNECTION WITH A PROJECT BEING PLANNED FOR YOU BY Uni-Structures, Inc. and IS NOT TO BE SHOWN TO ANYONE OUTSIDE YOUR ORGANIZATION, NOR IS IT TO BE USED, COPIED, REPRODUCED, OR EXHIBITED IN ANY MANNER.</small>			

CANOPY DETAILS FOR INFORMATION ONLY. CANOPY MANUFACTURER WILL PROVIDE DETAILS AND SHOP DRAWINGS.

Order Plans @ WWW.BUILDING.COM

B1914

DATE	RELEASE
08.26.19	FOR CONSTRUCTION

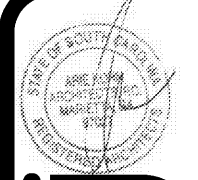
CHECKED BY: AK
DRAWN BY: CY

NOTE:
THESE DRAWINGS ARE THE PROPERTY OF ARIE KOHN ARCHITECTS, P.C. AND SHALL NOT BE USED, REPRODUCED, AND/OR MODIFIED WITHOUT WRITTEN CONSENT FROM ARIE KOHN ARCHITECTS, P.C.

DRAWINGS FOR:
BRUCE DANIELS HOLDINGS, LLC
CAROLINA RE HOLDINGS, LLC
P.O. BOX 711
GREENWOOD, SC 29649
646-462-5481



ARIE KOHN ARCHITECTS, PC
74 WOODSTOCK ROAD ROSWELL, GA 30075
TEL (770) 642-9030 FAX (770) 642-3785
EMAIL: arie@kohnarch.com



PROJECT: B1914
DATE: 07/22/2019

BURGER KING RESTAURANT
#06-0006-021-00-00
CANOPY DETAILS (REFERENCE ONLY)



A-7.3