

B1914	
DATE	RELEASE
08.26.19	FOR CONSTRUCTION

CHECKED BY: AK
DRAWN BY: CY

NOTE: THESE DRAWINGS ARE THE PROPERTY OF ARIE KOHN ARCHITECTS, P.C. AND SHALL NOT BE USED, REPRODUCED, AND/OR MODIFIED WITHOUT WRITTEN CONSENT FROM ARIE KOHN ARCHITECTS, P.C.

DRAWINGS FOR:
BRUCE DANIELS
CAROLINA RE HOLDINGS, LLC
P.O. BOX 711
GREENWOOD, SC 29649
646-462-5481

ARIE KOHN ARCHITECTS, PC
74 WOODSTOCK ROAD ROSWELL, GA 30075
TEL (770) 642-9030 FAX (770) 642-3785
EMAIL: arie@skharch.com

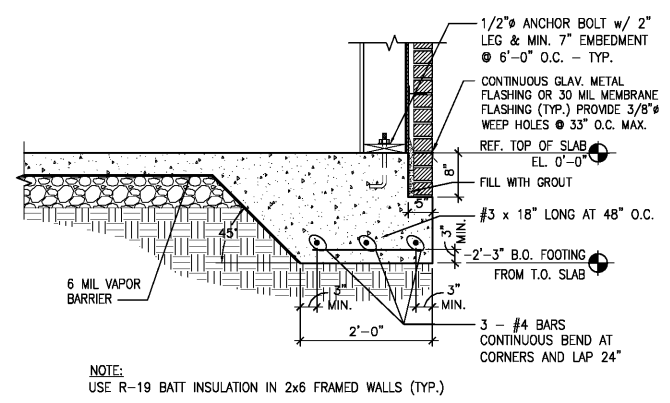


PROJECT: B1914
DATE: 07/22/2019

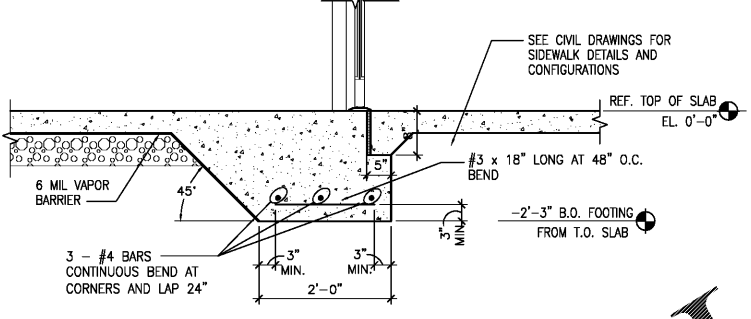
406 S. EAST MAIN ST.
ANDREWS, SC 29510

BURGER KING RESTAURANT
#06-00068-021-00-00

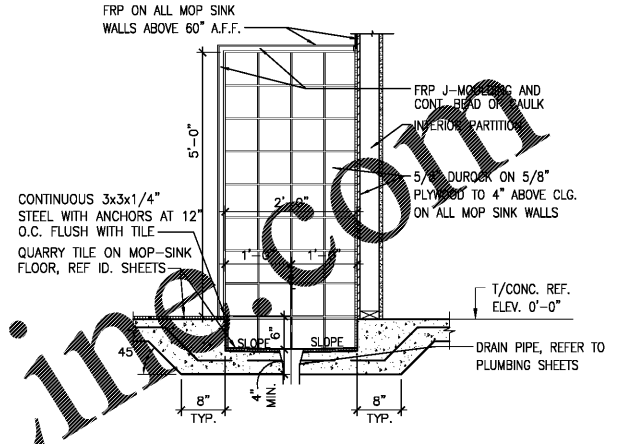
FOUNDATION PLAN DETAILS



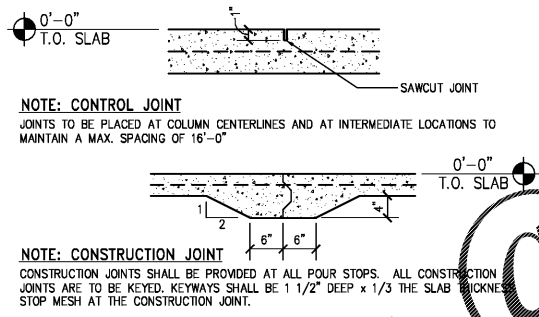
TYPICAL FOOTING DETAIL
SCALE: 3/4" = 1'-0"



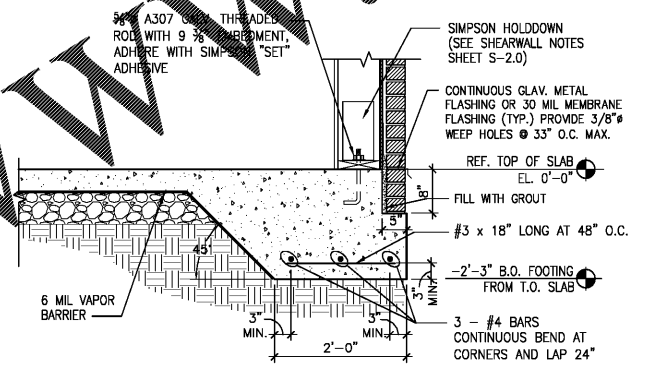
TYP. EXT. DOOR SLAB DETAIL
SCALE: 3/4" = 1'-0"



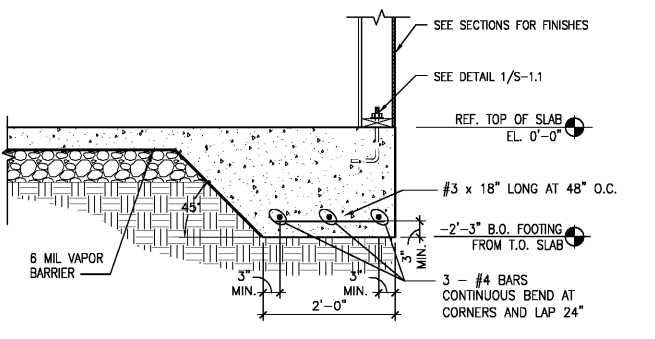
MOP SINK SLAB DETAIL
SCALE: 3/4" = 1'-0"



CONSTRUCTION/CONTROL JOINT
SCALE: 3/4" = 1'-0"



SHEAR WALL HOLDDOWN DETAIL
SCALE: 3/4" = 1'-0"



D/T TOWER SLAB DETAIL
SCALE: 3/4" = 1'-0"

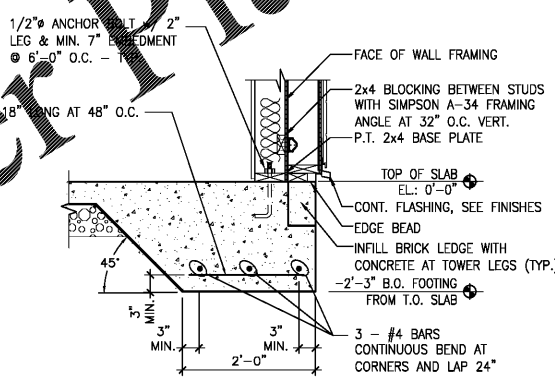
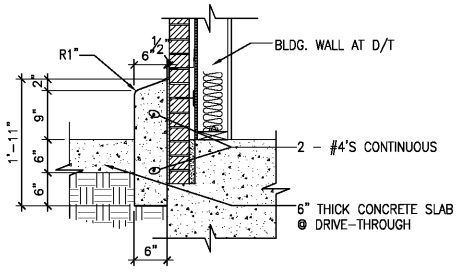
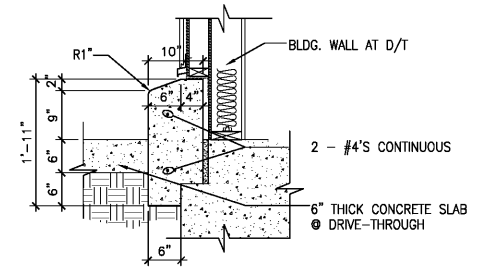


IMAGE ELEMENT FOOTING DETAIL
SCALE: 3/4" = 1'-0"



BARRIER CURB DETAIL
SCALE: 3/4" = 1'-0"



BARRIER CURB DETAIL
SCALE: 3/4" = 1'-0"

Order Plans @

WWW.LDILine.com