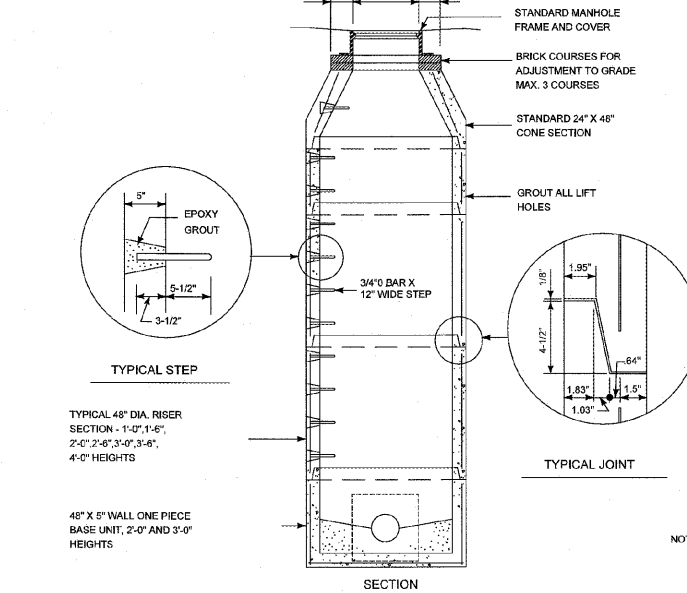
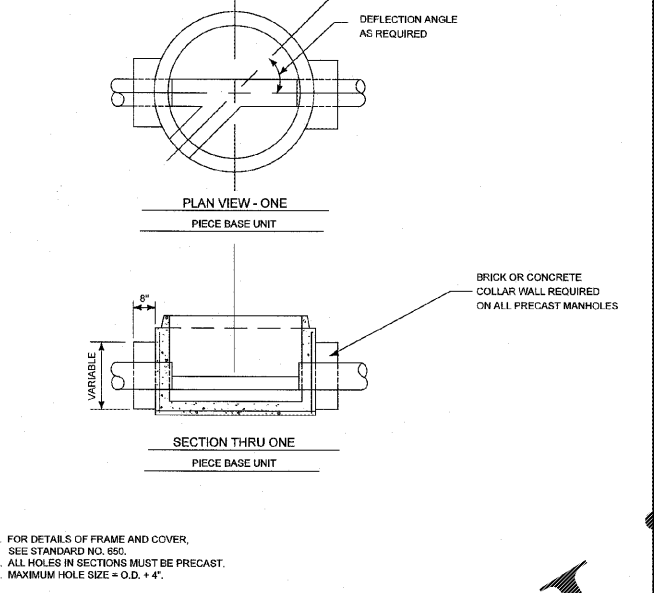


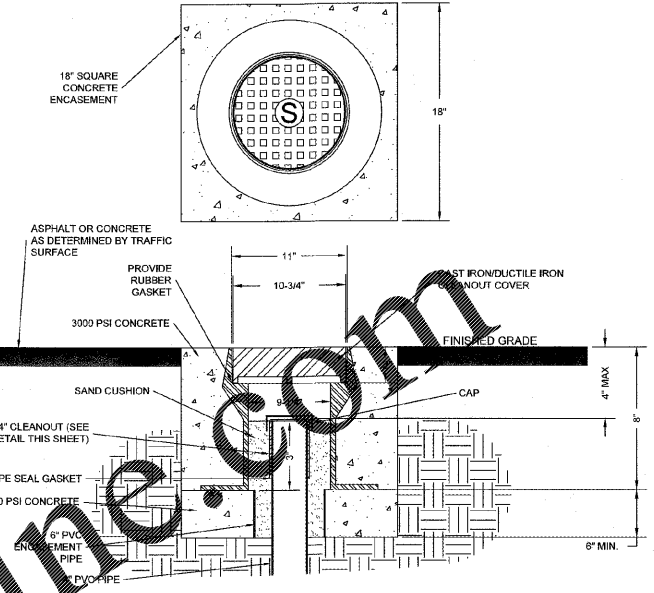
**FIRE HYDRANT DETAIL**  
NOT TO SCALE



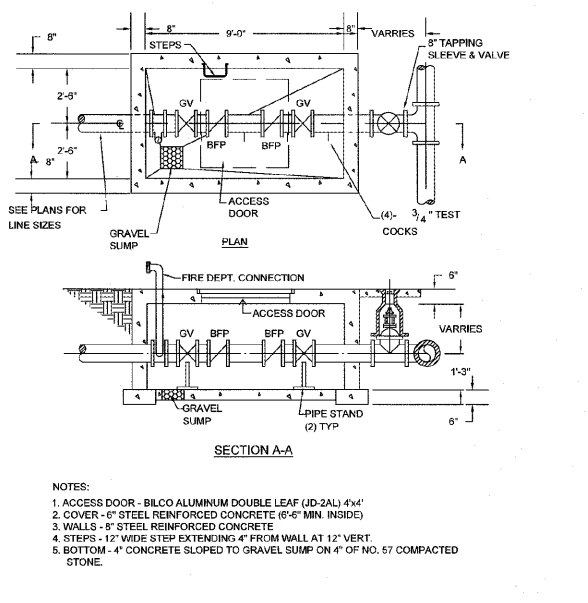
**PRECAST MANHOLE DETAIL**  
NOT TO SCALE



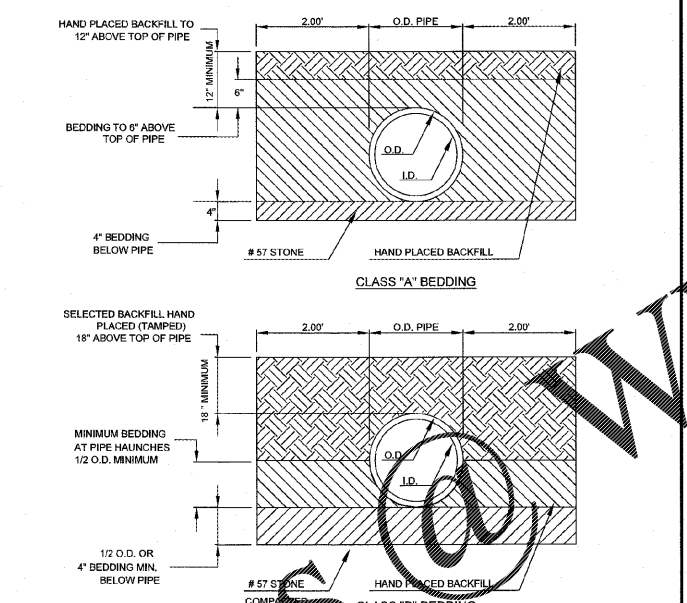
**SANITARY CLEANOUT DETAIL**  
NOT TO SCALE



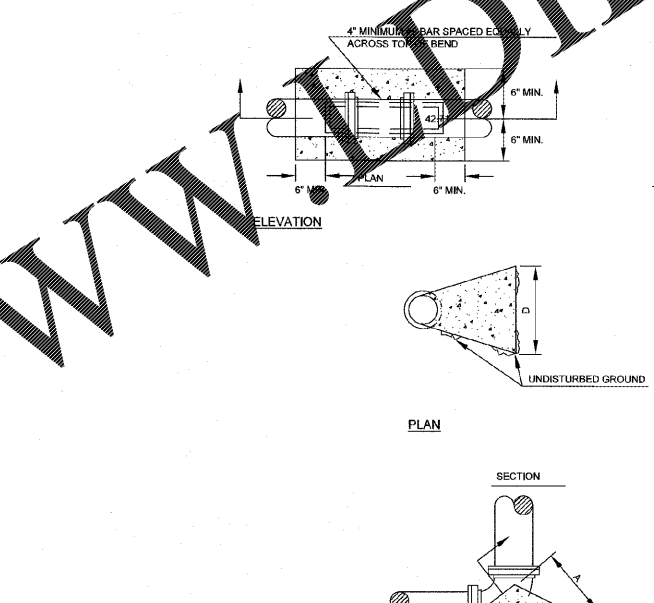
**DOUBLE CHECK BACKFLOW PREVENTER DETAIL**  
NOT TO SCALE



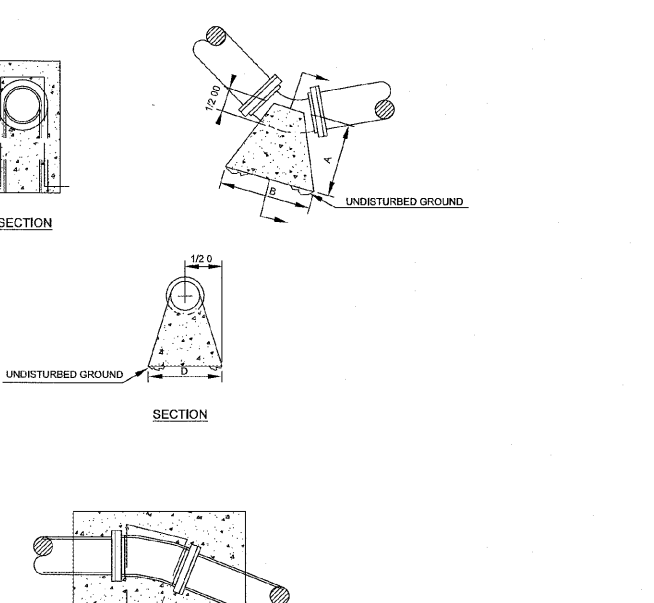
**PIPE BEDDING DETAIL**  
NOT TO SCALE



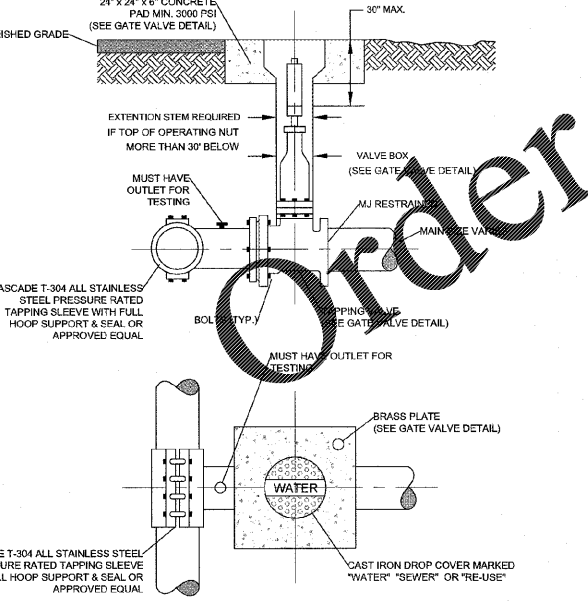
**THRUST BLOCK DETAIL**  
NOT TO SCALE



**TAPPING SLEVE & VALVE DETAIL**  
NOT TO SCALE



**CONCRETE REQUIRED TO RESIST UPWARD THRUST**



**CONCRETE REQUIRED TO RESIST DOWNWARD THRUST**

**TAPPING SLEVE & VALVE DETAIL**  
NOT TO SCALE

**PIPE BEDDING DETAIL**  
NOT TO SCALE

**THRUST BLOCK DETAIL**  
NOT TO SCALE

**TAPPING SLEVE & VALVE DETAIL**  
NOT TO SCALE

**LECRAW ENGINEERING**  
© 2019 LECRAW ENGINEERING, INC.  
3475 CORPORATE WAY  
DULUTH, GA 30096  
PHONE: 878-548-8100  
FAX: 770-441-0288  
WWW.LECRAWENGINEERING.COM  
COL: 4400

NO.	DATE	BY	CHECKED	REVISION
1				

**CAROLINA RE HOLDINGS, LLC**  
300 GALLERIA PARKWAY - ATLANTA, GA 30339

**BURGER KING - ANDREWS, SC**  
406 & 408 EAST MAIN STREET  
PARCEL # 06-0008-021-00-00  
ANDREWS, GEORGETOWN COUNTY, SOUTH CAROLINA

**LeCraw Engineering, Inc.**  
No. 4400

**LeCraw Engineering, Inc.**  
No. 29099

**DESIGN TEAM:**  
DRAWN BY: MAT  
DESIGNED BY: MAT  
REVIEWED BY: MSL

**811**  
Know what's below.  
Call before you dig.

DETAILS ARE NOT DRAWN TO SCALE

JOB #: 256005  
DATE: JULY 30, 2019

CONSTRUCTION DETAILS - 5  
**C-7.4**

Drawing name: L230205 - Carolina RE Holdings, LLC - Andrews, SC CAD/CAD/CONSTR/256005 - 10 - DETAILS.dwg CONSTRUCTION DETAILS - 5 - Aug 28, 2019, 12:30pm by: michael.bothealer