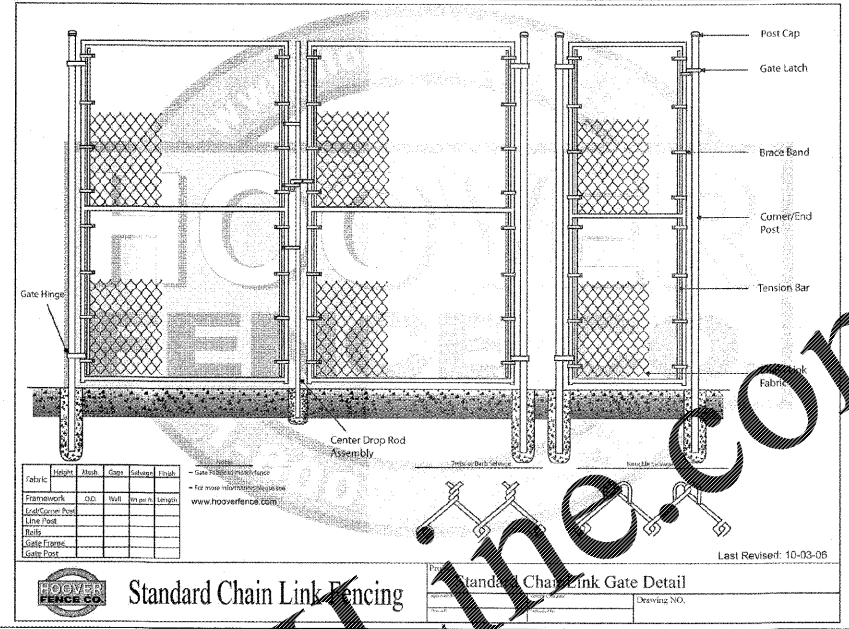


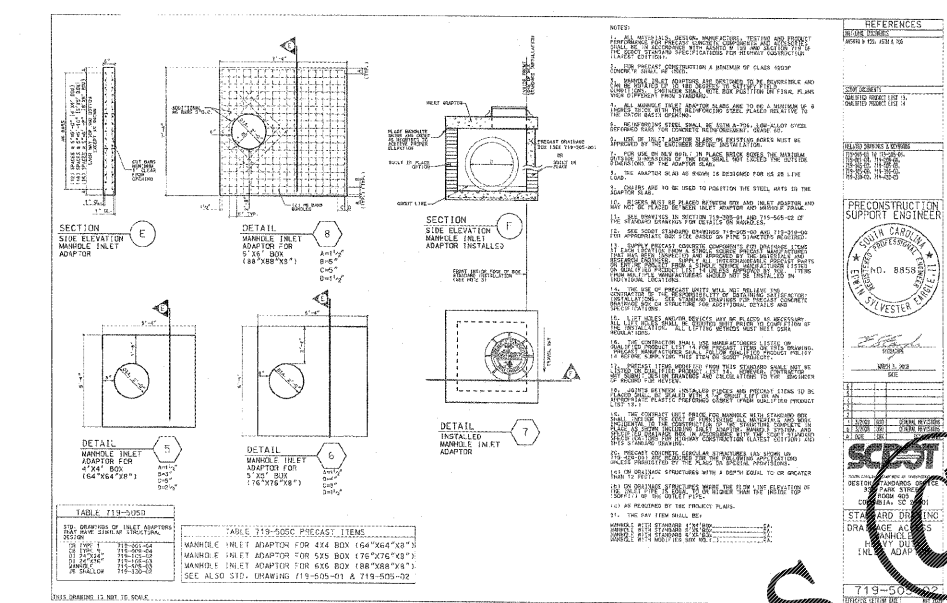
SCDOT DETAIL  
NOT TO SCALE

1



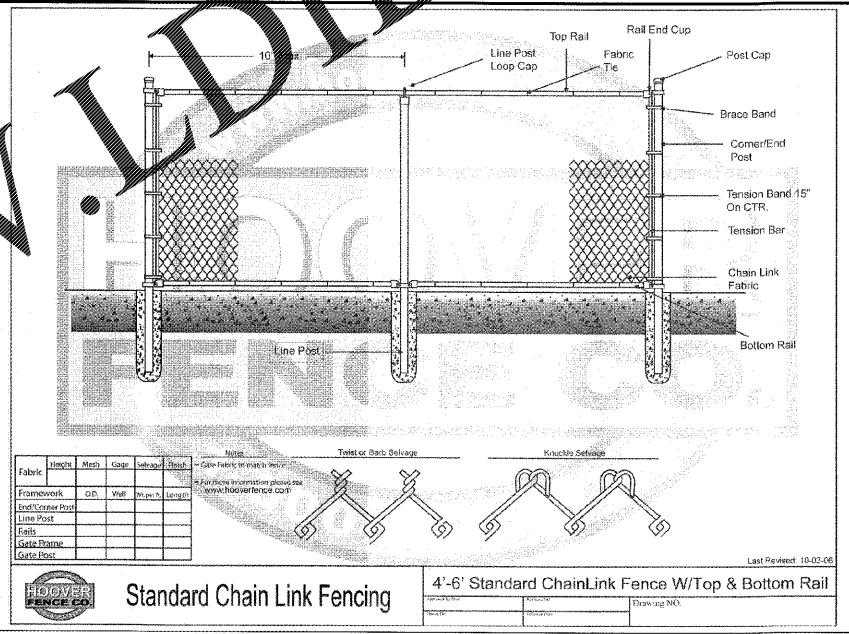
DOUBLE SWING GATE DETAIL  
NOT TO SCALE

2



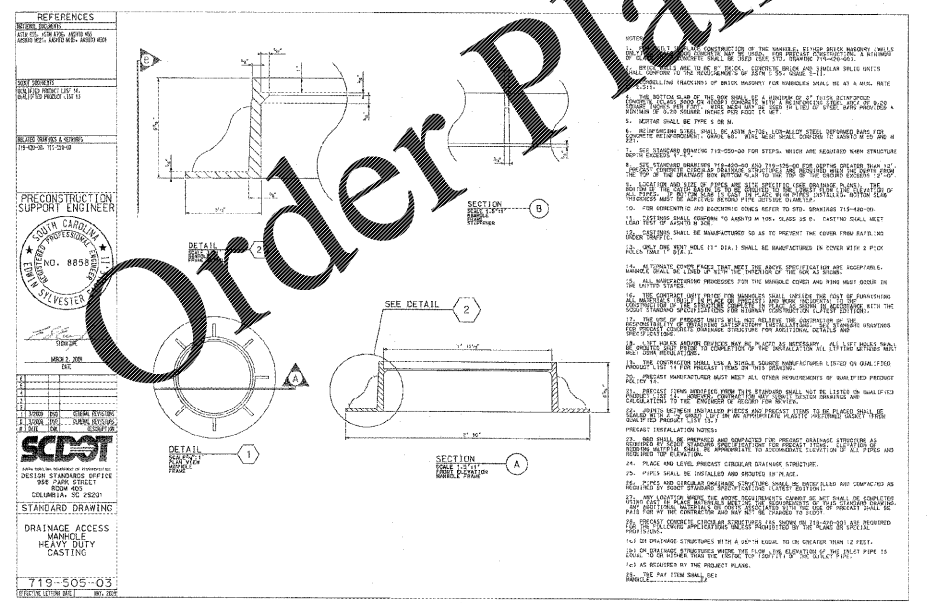
SCDOT DETAIL  
NOT TO SCALE

3



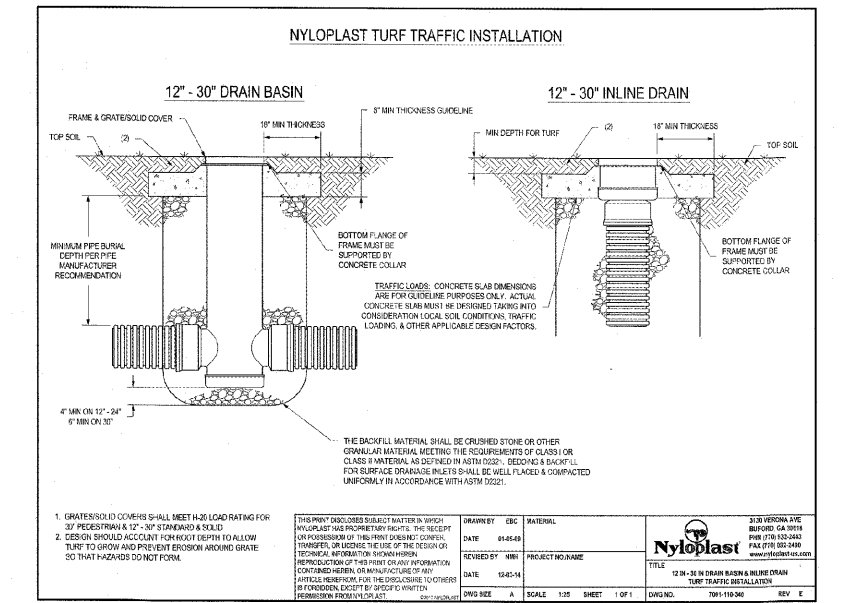
CHAIN LINK FENCE DETAIL  
NOT TO SCALE

4



SCDOT DETAIL  
NOT TO SCALE

5



NYLOPLAST DRAIN DETAIL  
NOT TO SCALE

6

WWW.LDILLINE.COM

Order Plans

PREPARED IN THE OFFICE OF:  
**LECRAW ENGINEERING**  
© 2019 LECRAW ENGINEERING, INC.  
3475 CORPORATE WAY  
SUITE A  
DULLES, VA 20148  
PHONE - 703-546-8100  
FAX - 770-441-0288  
WWW.LECRAWENGINEERING.COM  
CON. 4400

REV #	DATE	BY	CHK	DESCRIPTION
1	06/28/19	MAT	MSL	SCDOT COMMENTS

CLIENT  
**CAROLINA RE HOLDINGS, LLC**  
300 GALLERIA PARKWAY - ATLANTA, GA 30039

PROJECT  
**BURGER KING - ANDREWS, SC**  
406 & 408 EAST MAIN STREET  
PARCEL # 06-0008-021-00-00  
ANDREWS, GEORGETOWN COUNTY, SOUTH CAROLINA

SEAL:

FOR INFORMATIONAL PURPOSES ONLY

DESIGN TEAM:

DRAWN BY:	MAT
DESIGNED BY:	MAT
REVIEWED BY:	MSL

**811**  
Know what's below.  
Call before you dig.

DETAILS ARE NOT DRAWN TO SCALE

JOB #:	259005
DATE:	JULY 30, 2019

CONSTRUCTION DETAILS - 4

C-7.3

Drawing name: C-259005 - Carolina RE Holdings, LLC - Burger King - Andrews - SCDOT CONSTRUCTION DETAILS - 4 - Aug 28, 2019 1:28pm by: michael.torshaker