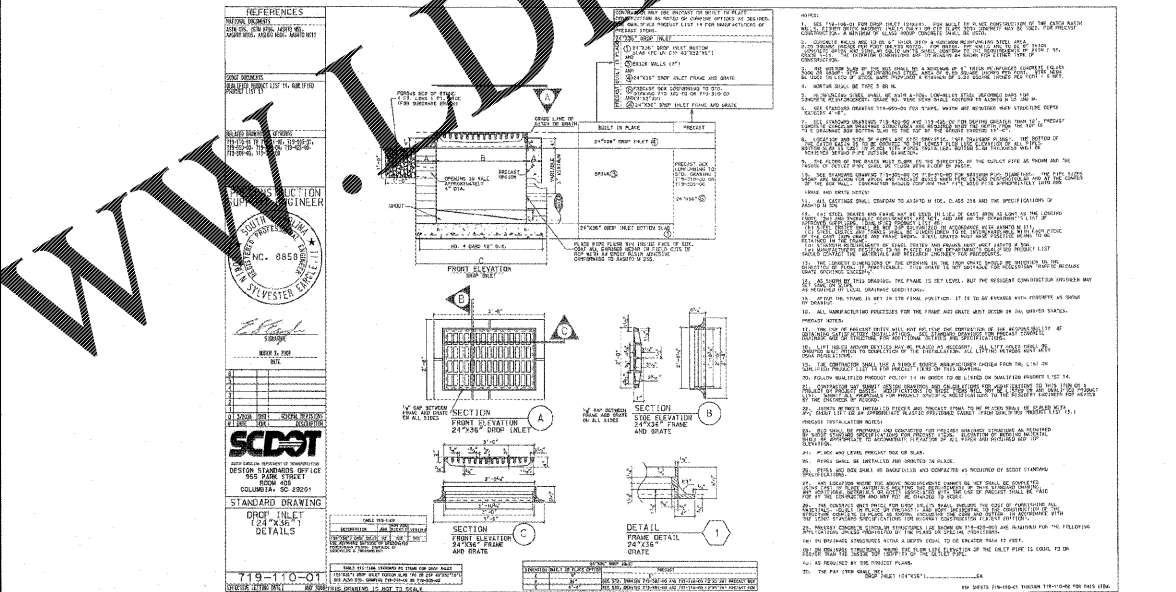
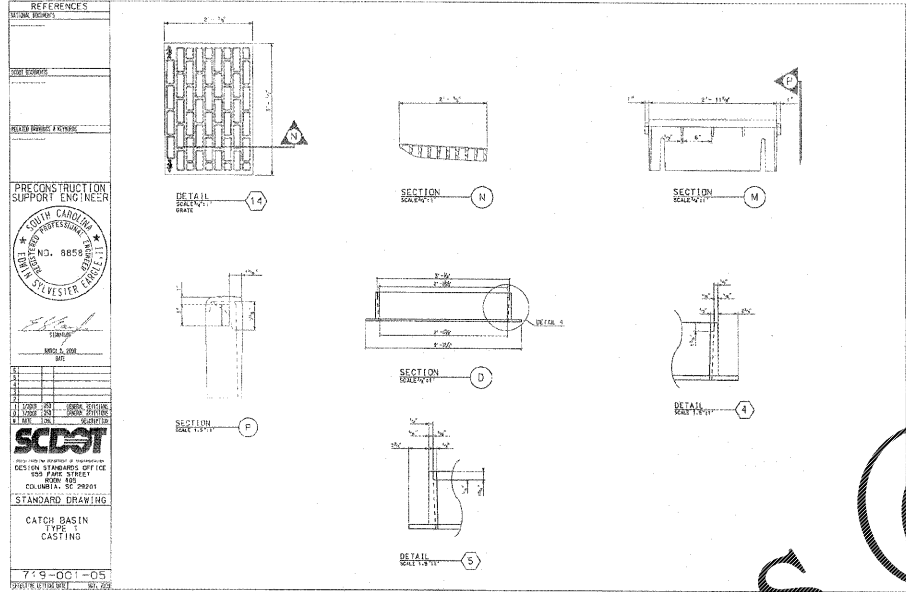


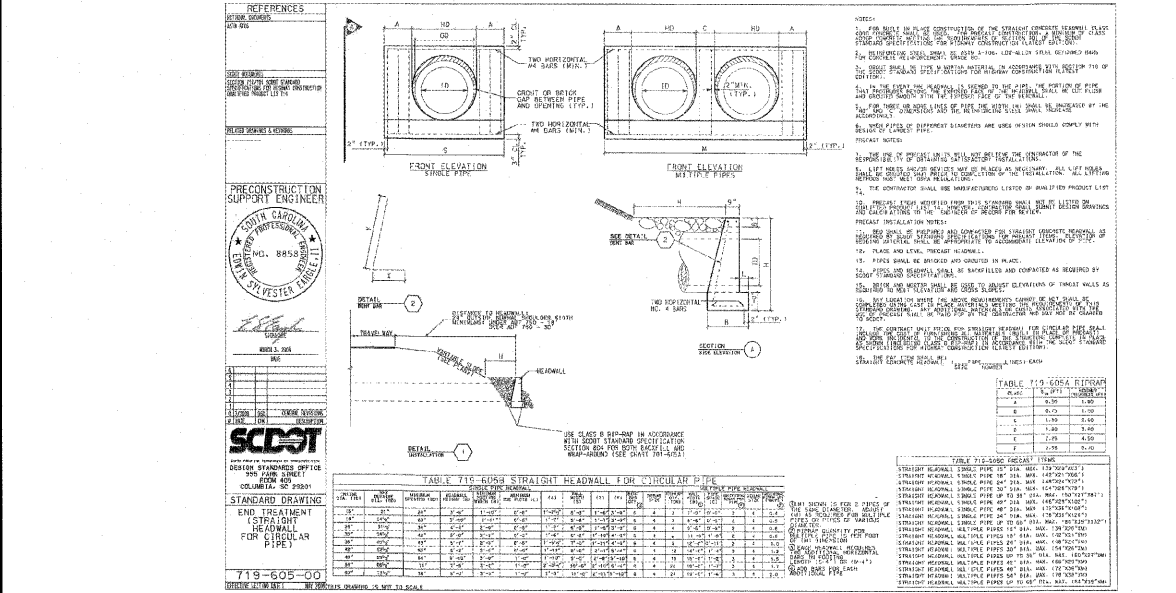
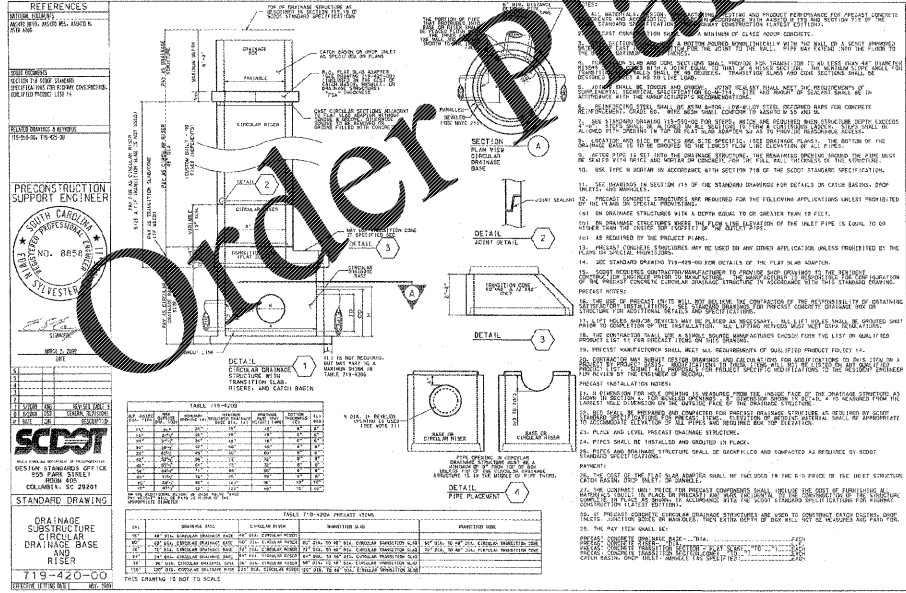
1 SCDOT DETAIL NOT TO SCALE

2 SCDOT DETAIL NOT TO SCALE



3 SCDOT DETAIL NOT TO SCALE

4 SCDOT DETAIL NOT TO SCALE



5 SCDOT DETAIL NOT TO SCALE

6 SCDOT DETAIL NOT TO SCALE

LECRAW ENGINEERING
 3475 CORPORATE WAY
 SUITE A
 DULLES, VA 20146
 PHONE: 773-441-0268
 FAX: 773-441-0268
 WWW.LECRAWENGINEERING.COM
 COA: 440

PREPARED IN THE OFFICE OF:
 SOUTH CAROLINA DEPARTMENT OF TRANSPORTATION
 PRECONSTRUCTION SUPPORT ENGINEER
 719-001-01
 CATCH BASIN CASTING

CAROLINA RE HOLDINGS, LLC
 300 GALLERIA PARKWAY - ATLANTA, GA 30339

BURGER KING - ANDREWS, SC
 408 & 409 EAST MAIN STREET
 PARCEL # 06-0008-021-00-00
 ANDREWS, GEORGETOWN COUNTY, SOUTH CAROLINA

CLIENT
 PROJECT

SEAL:

FOR INFORMATIONAL PURPOSES ONLY

DESIGN TEAM:
 DRAWN BY: MAT
 DESIGNED BY: MAT
 REVIEWED BY: MSL

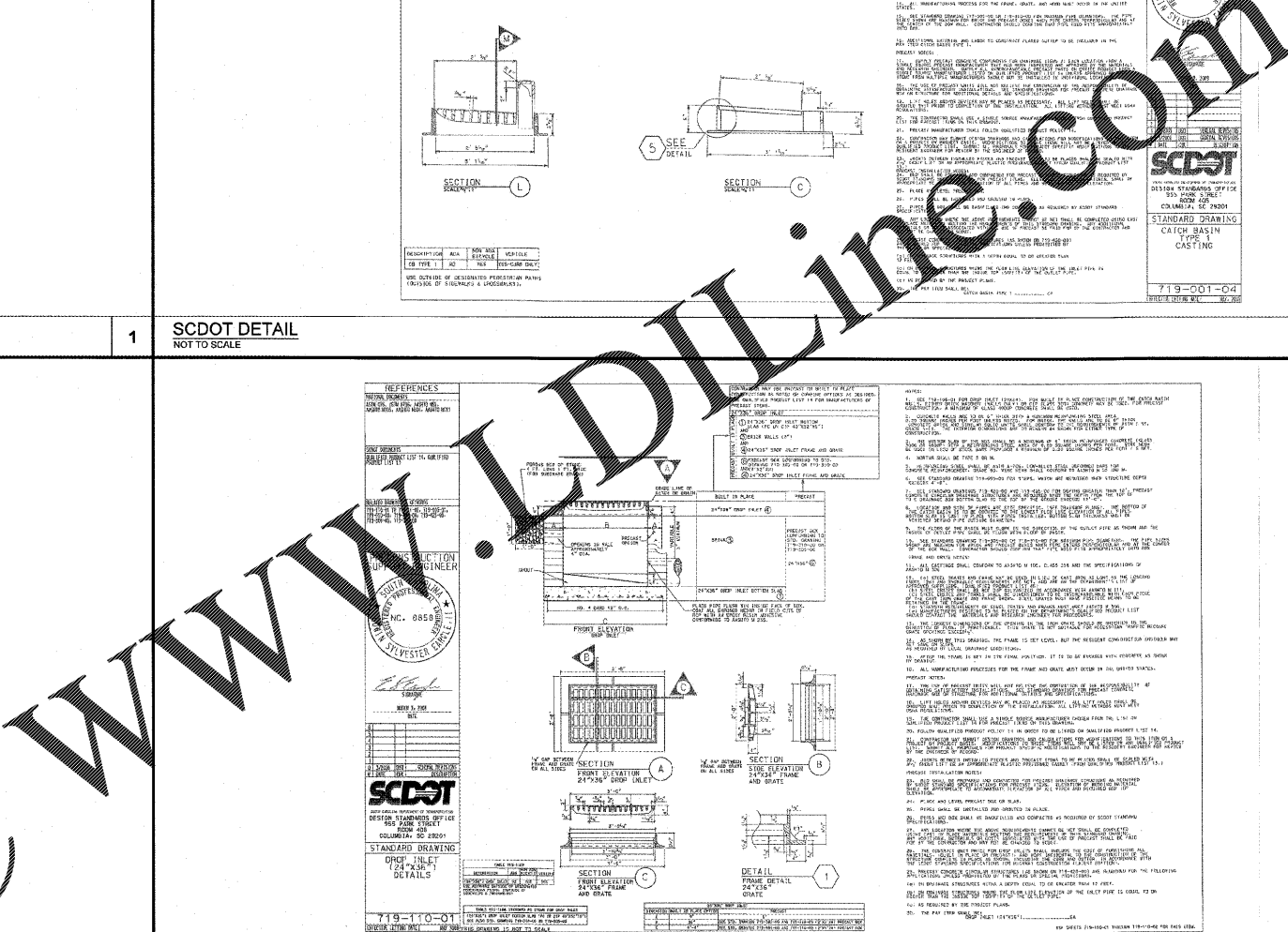


DETAILS ARE NOT DRAWN TO SCALE

JOB #: 259005
 DATE: JULY 30, 2019
 CONSTRUCTION DETAILS - 2

C-7.1

Drawing name: L259005 - Carolina RE Holdings, LLC - Burger King - Andrews, SC - SCDOT PRECONSTRUCTION DETAILS - 2 - DETAILS.dwg CONSTRUCTION DETAILS - 2 - Aug 28, 2019 1:28pm by michael.tothwater



Order Plans @