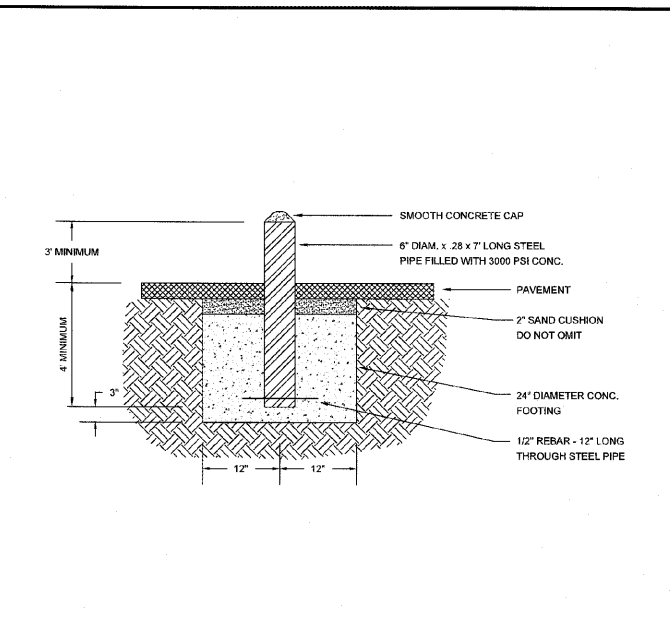
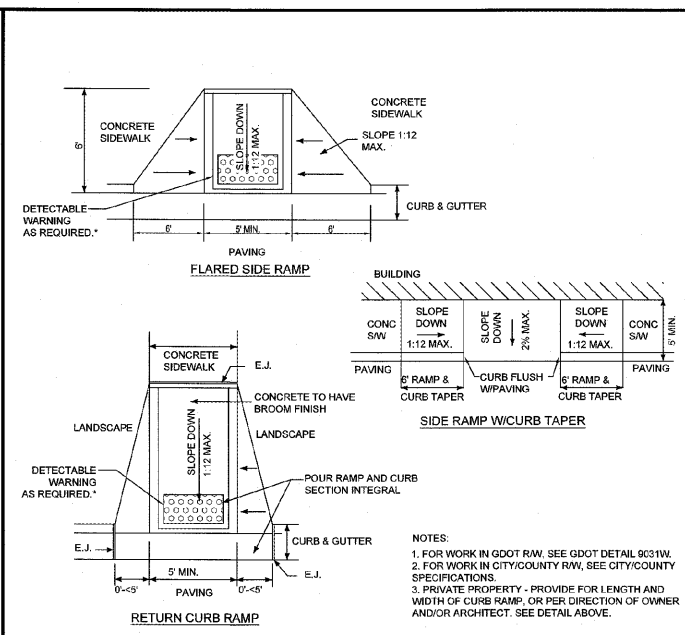


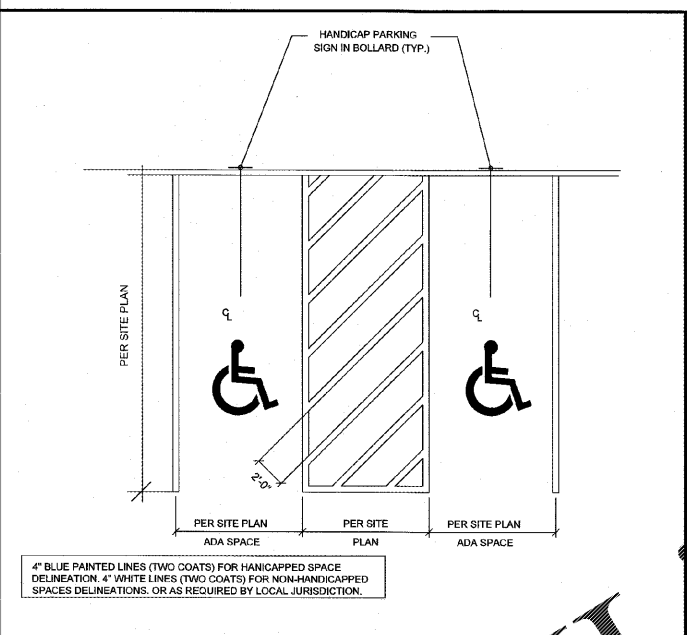
Drawing name: L:\202005 - Carolina RE Holdings, LLC - Burger King - Andrews, SC\ADD\CONSTRUCTION DETAILS - 10 - DETAILS.dwg CONSTRUCTION DETAILS - 1 Aug 28, 2019 1:23pm by michael.bohler



BOLLARD DETAIL NOT TO SCALE 1



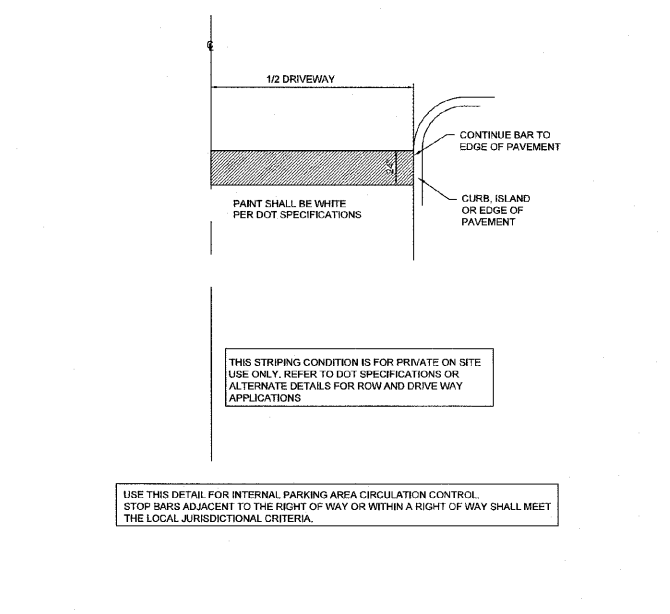
ADA PARKING RAMP DETAIL NOT TO SCALE 2



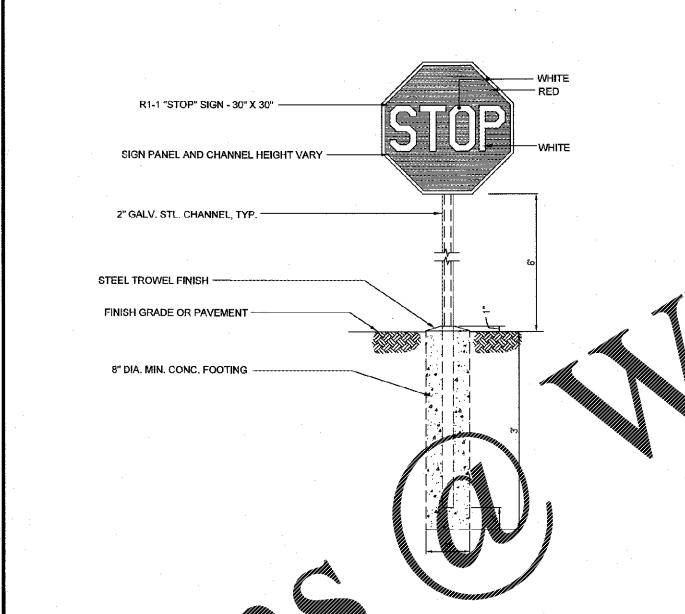
ADA PARKING LAYOUT DETAIL NOT TO SCALE 3



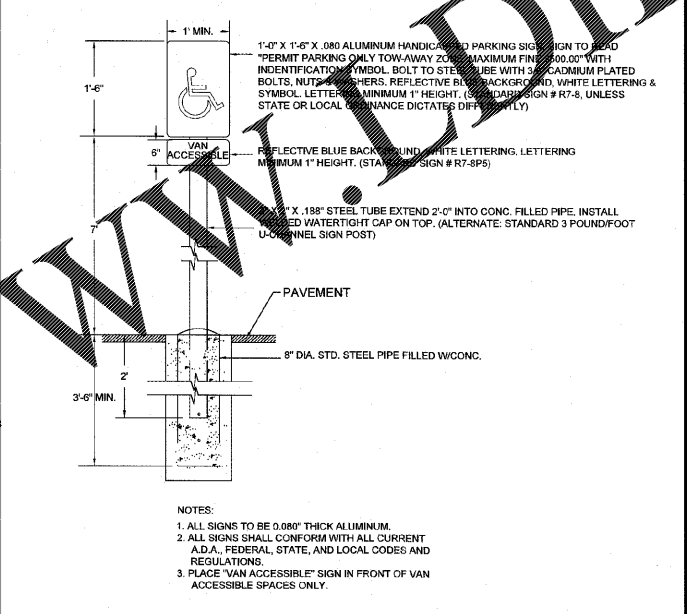
ADA PARKING SIGN DETAIL NOT TO SCALE 4



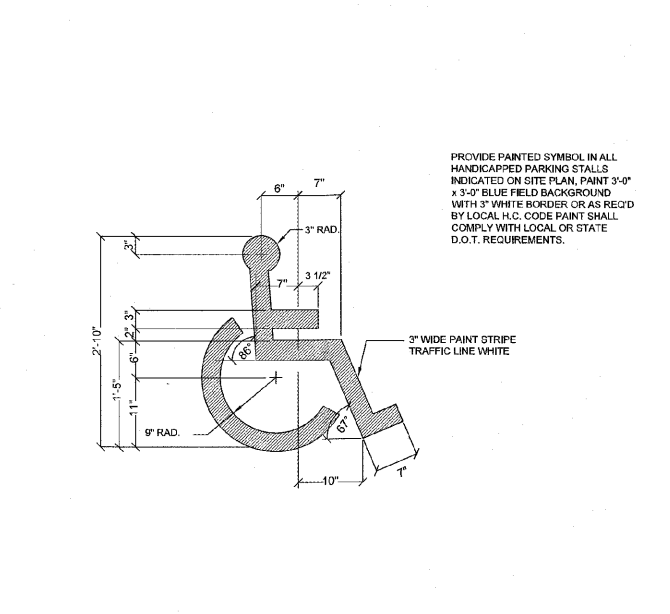
STOP BAR DETAIL NOT TO SCALE 5



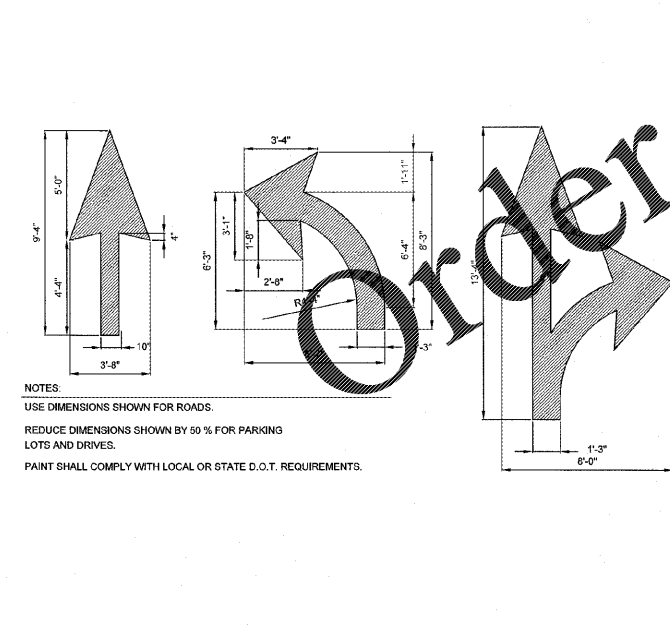
TRAFFIC SIGN MOUNTING DETAIL NOT TO SCALE 6



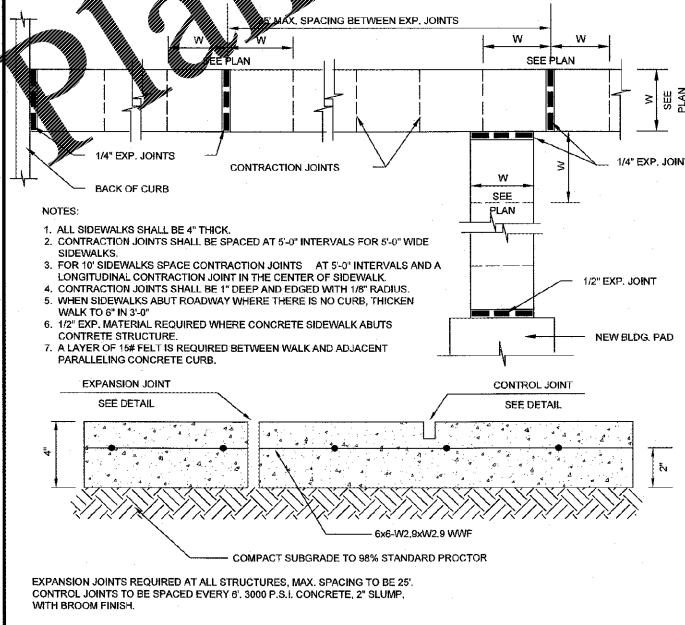
ADA SIGN MOUNTING DETAIL NOT TO SCALE 7



ADA PARKING SYMBOL DETAIL NOT TO SCALE 8



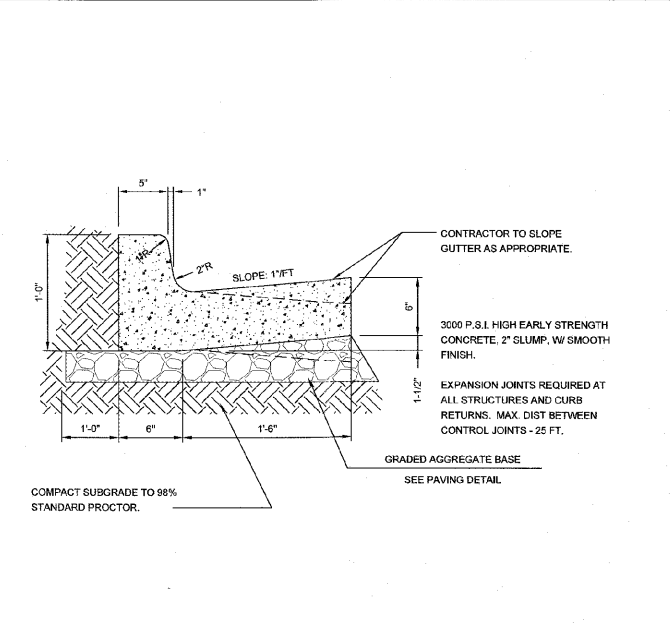
PAVEMENT MARKING DETAIL NOT TO SCALE 9



SIDEWALK DETAIL NOT TO SCALE 10



PAVEMENT SECTION DETAIL NOT TO SCALE 11



CURB & GUTTER DETAIL NOT TO SCALE 12

LECRAW ENGINEERING logo and contact information: 2019 LECRAW ENGINEERING, INC., 3475 COOPERATE WAY, SUITE 100, DULUTH, GA 30096. PHONE - 770.548.8100, FAX - 770.441.0288, WWW.LECRAWENGINEERING.COM, CO. # 460

Table with columns: DATE, BY, CHECKED, DESIGNED, MAT, MSL, COMMENTS, ECDOT COMMENTS, REV.#

CAROLINA RE HOLDINGS, LLC 300 GALLERIA PARKWAY - ATLANTA, GA 30339. PROJECT: BURGER KING - ANDREWS, SC 406 & 408 EAST MAIN STREET PARCEL # 06-0008-021-00-00 ANDREWS, GEORGETOWN COUNTY, SOUTH CAROLINA

SEAL: SOUTH CAROLINA LeCraw Engineering, Inc. No. 4400

SEAL: SOUTH CAROLINA LeCraw Engineering, Inc. No. 29099 8/28/19

DESIGN TEAM: DRAWN BY: MAT, DESIGNED BY: MAT, REVIEWED BY: MSL

811 Know what's below. Call before you dig.

DETAILS ARE NOT DRAWN TO SCALE

JOB #: 259005, DATE: JULY 30, 2019, CONSTRUCTION DETAILS - 1