



Pate Design Group, Inc.
Architecture / Interiors

4158 Abbots Bridge Road
Duluth, Georgia 30097

(p) 770.814.0885
(f) 770.814.0886

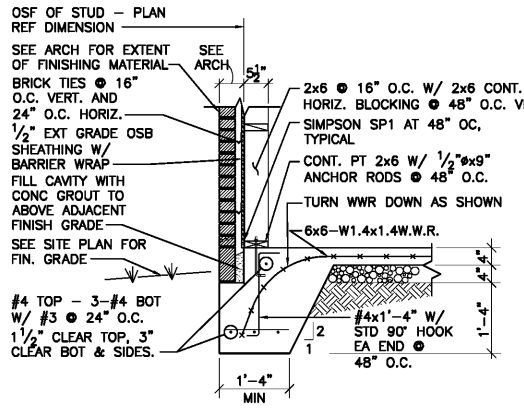
Kirby@patedesigngroup.com

POOL PAVILLION
WISTERIA RIDGE
Will-O-War LLC
75 North Main Street
Watkinsville, GA 30677

Issue & Revisions:

No.	Date	Description
1	04/19	CLARIFICATION

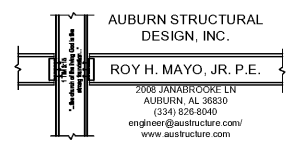
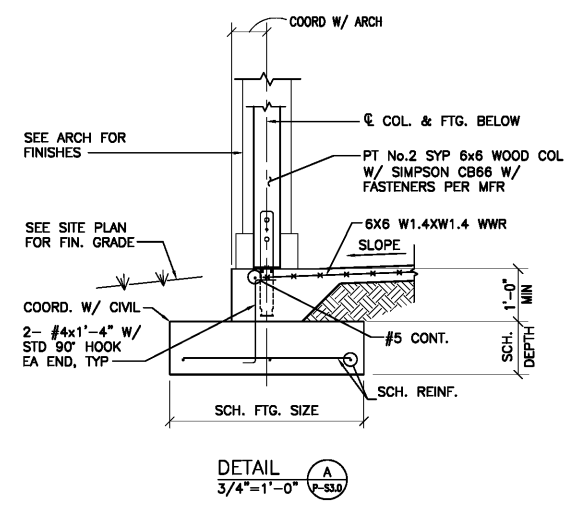
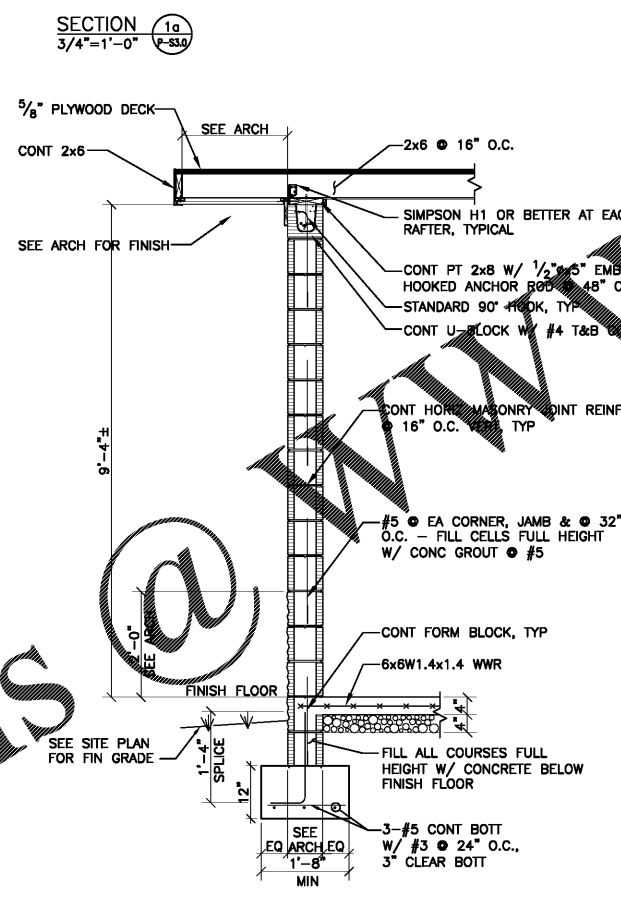
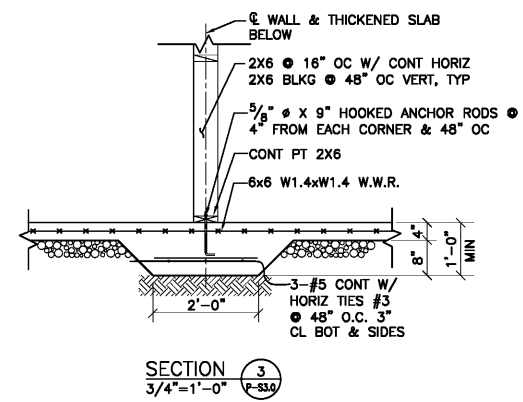
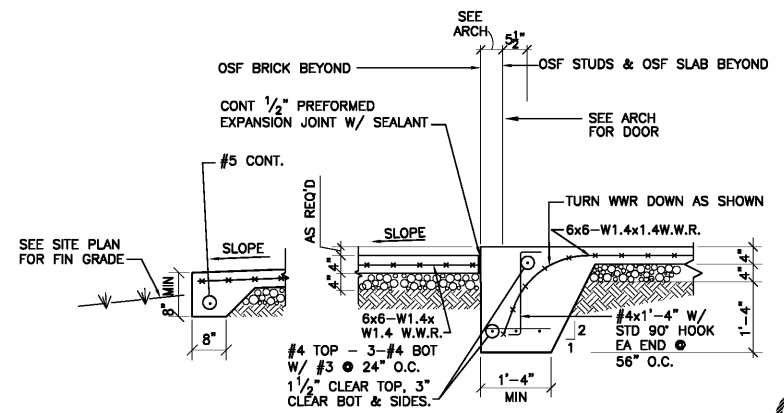
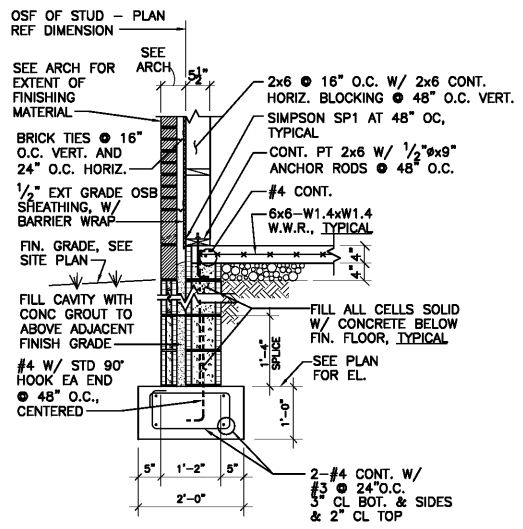
FOUNDATION
SECTIONS
+ DETAILS



NOTE: WIDTH & DEPTH OF FOOTINGS SHALL NOT BE LESS THAN REQUIRED BY GEOTECHNICAL INVESTIGATION REPORT, TYP.

NOTE: 1/2" x 9" HOOKED ANCHOR RODS MAY BE SUBSTITUTED W/ 1/2" x 1'-4" EMBED EPOXY ANCHOR RODS.

NOTE: SEE P-S1.0 FOR EXTERIOR SHEATHING NAILING REQUIREMENTS



Order Plans @ WWW.LDILine.com

AUBURN STRUCTURAL DESIGN, INC.
ROY H. MAYO, JR. P.E.
2006 JANABROOKE LN
AUBURN, AL 36830
(334) 826-8040
eng@aststructure.com
www.aststructure.com

AS NOTED
030519
040119

P-S3.0
of sheets

RELEASED FOR CONSTRUCTION