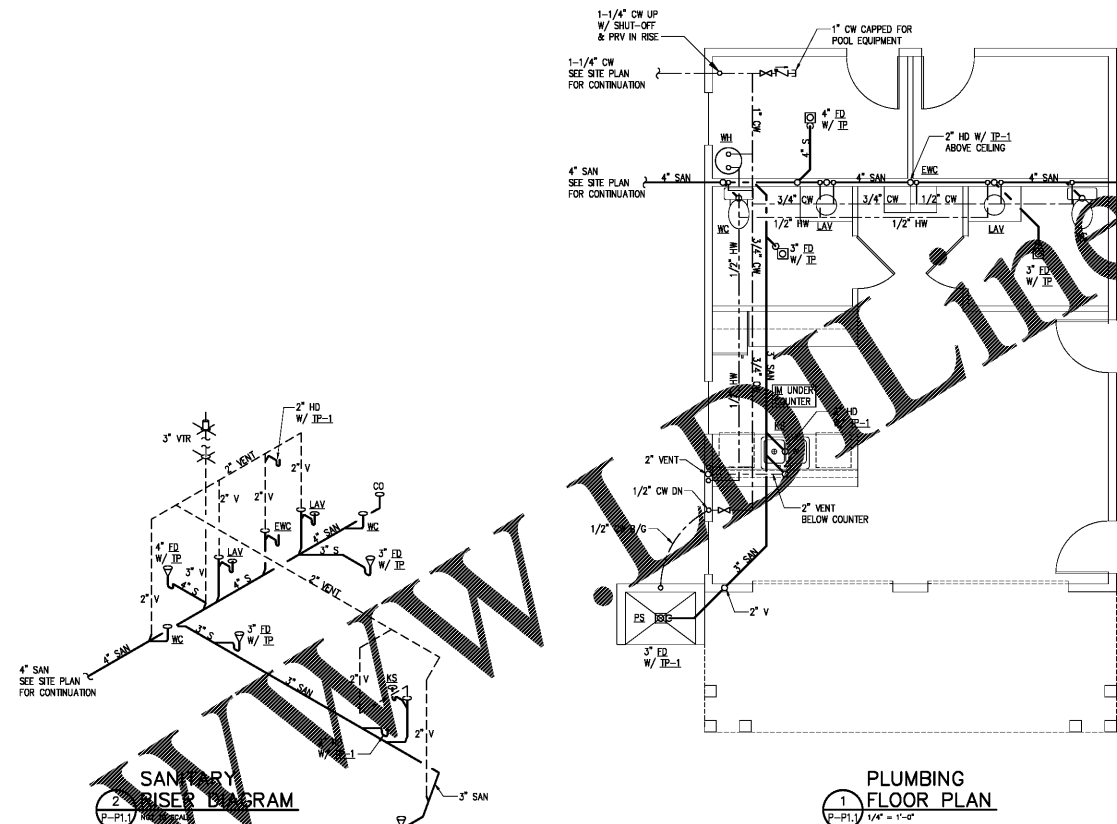


PLUMBING NOTES AND SPECIFICATIONS

- 1. FURNISH ALL LABOR, MATERIAL, AND EQUIPMENT REQUIRED FOR A COMPLETE PLUMBING SYSTEM IN ACCORDANCE WITH ALL NATIONAL, STATE, AND LOCAL CODES.
- 2. FURNISH AND INSTALL ALL SYSTEMS OF SOIL, WASTE, AND VENT PIPING, HOT & COLD WATER PIPING, AND DRAINAGE PIPING INCLUDING ALL FITTINGS, VALVES, ETC. AS REQUIRED.
- 3. FURNISH AND INSTALL ALL PLUMBING FIXTURES AND EQUIPMENT AS SHOWN ON THE DRAWINGS.
- 4. ALL PLUMBING WORK SHALL BE DONE UNDER THE SUPERVISION OF AND BY LICENSED AND QUALIFIED PLUMBERS FOR ALL LOCAL, STATE, AND NATIONAL CODES AND TO THE COMPLETE SATISFACTION OF THE LOCAL PLUMBING INSPECTOR.
- 5. SUBMISSION OF A BID OR PROPOSAL SHALL BE CONSIDERED AS EVIDENCE THAT THE CONTRACTOR HAS FAMILIARIZED HIMSELF WITH THE PLANS, SPECIFICATIONS, AND BUILDING SITE. CLAIMS MADE SUBSEQUENT TO BIDS FOR MATERIALS AND/OR LABOR DUE TO DIFFICULTIES ENCOUNTERED WILL NOT BE RECOGNIZED, UNLESS DIFFICULTIES COULD NOT HAVE BEEN FORESEEN EVEN THOUGH PROPER EXAMINATION HAD BEEN MADE.
- 6. CONTRACTOR SHALL BE RESPONSIBLE FOR ALL UTILITY CONNECTIONS AND SHALL BEAR ALL COSTS OF INSTALLING NEW WATER METER.
- 7. ALL MATERIALS SHALL BE NEW, CLEAN, AND WITHOUT DEFECTS. ANY DEFECTIVE MATERIALS SHALL BE REMOVED FROM THE JOB SITE.
- 8. ALL PLUMBING PIPING SHALL BE CONCEALED WITHIN THE BUILDING STRUCTURE AND ABOVE DROP CEILINGS.
- 9. ALL HOT AND COLD WATER PIPING SHALL BE COPPER TYPE "L".
- 10. ALL COPPER DOMESTIC PIPING SHALL HAVE SOLDER JOINTS, 95-5 NO-LEAD SOLDER, AND SUPPORTED ADEQUATELY FROM STRUCTURE WITH SPLIT RING HANGERS.
- 11. COLD WATER PIPING IN UNCONDITIONED SPACES AND ALL HOT WATER PIPING SHALL BE INSULATED WITH 1/2" THICK PRE-FORMED FOAM PIPE INSULATION BY INLOCK. INSULATE FITTINGS WITH MITERED SECTIONS.
- 12. SANITARY, WASTE, AND VENT PIPING ABOVE GRADE SHALL BE NO-HUB CAST IRON OR ASTM D2065-81 PVC SCHEDULE 40 PIPE.
- 13. CLEANOUT PLUGS SHALL BE INSTALLED IN ACCORDANCE WITH PLUMBING CODE REQUIREMENTS AT EACH CHANGE IN DIRECTION & AT THE BASE OF EACH SANITARY STACK. CLEANOUTS SHALL BE PLACED IN READILY ACCESSIBLE LOCATIONS.
- 14. PROVIDE VALVES IN DOMESTIC WATER SYSTEM TO CUT-OFF WATER SERVICE MAIN INSIDE THE BUILDING, AT EACH WALL HYDRANT, AND TO ISOLATE EACH FIXTURE IN THE BUILDING.
- 15. PROVIDE BACK-FLOW PREVENTER AND SHUT-OFF VALVES AT WATER METER, OR AS SHOWN, WATTS SERIES 009 WITH DRAIN TO OUTSIDE.
- 16. PROVIDE WATER PRESSURE REDUCING VALVE WATTS USB. (SET AT 60 PSIG).
- 17. INSULATE ALL EXPOSED PIPING UNDER HANDICAPPED LAVATORIES WITH TRU-BRO.
- 18. FIRESTOPS SHALL BE PROSET "FIRESTOP PENETRATORS."
- 19. PROVIDE WATTS MODEL 15 WATER HAMMER ARRESTORS WHERE QUICK CLOSING VALVES ARE UTILIZED.
- 20. UPON COMPLETION OF THE WORK, TEST ALL PIPING SYSTEMS AS FOLLOWS:
 - A. DRAINAGE SYSTEMS INCLUDING SANITARY SEWERS, ROOF DRAINAGE, AND SANITARY VENTS: PLUG LOW POINTS OF SYSTEM AND FILL WITH WATER TO UPPERMOST OUTLET UP TO TWELVE (12) FEET HIGH, WHICHEVER IS LOWER. LET SYSTEM STAND FULL OF WATER WITH NO INDICATIONS OF LEAKS.
 - B. DOMESTIC HOT AND COLD WATER: 150 PSIG HYDROSTATIC TEST. HOLD HYDROSTATIC TESTS FOR A MINIMUM OF EIGHT (8) HOURS WITHOUT LOSS OF PRESSURE. HOLD AIR TESTS FOR A MINIMUM OF ONE HOUR WITHOUT SIGNIFICANT LOSS OF PRESSURE. WITH APPROVAL OF ARCHITECT, AIR TESTING MAY BE SUBSTITUTED FOR HYDROSTATIC TESTING IN FREEZING WEATHER.
- 21. RETESTING: RETEST PIPING FOLLOWING INITIAL TESTS FOLLOWING CORRECTION OF DEFECTIVE WORK. REQUIREMENTS OF INITIAL TESTS SHALL APPLY.

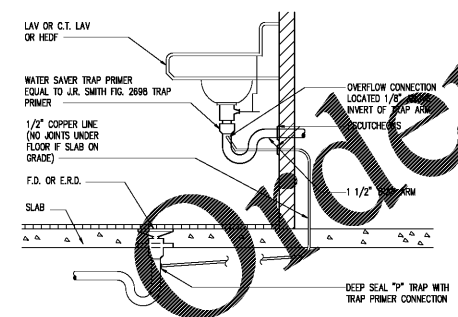
PLUMBING FIXTURES (OR APPROVED EQUAL)

- WC Water Closet - Floor Mounted - Tank Type - ADA - American Standard 2835.128 Cadet 3 Flowise (18-1/2" high) elongated water saver, 1.28 GPF, white vitreous china toilet, alpha jet action, close coupled tank and two bolt caps. Seat to be 5901.100 white solid plastic open front heavy duty seat. Handle shall be installed on wide side of toilet.
- LAV Lavatory - Countertop - American Standard 0439.004 Ohio white vitreous china self-rimming lavatory, Delta 501U-HIGHDEF 4" centerset faucet with chrome single lever handle & 0.5 GPM flow rate, McGuire 155A grid drain assembly with 1-1/4" trappiece, McGuire 8872 1-1/4" P-trap with cleanout, McGuire 170 supplies with wheel handle stops & escutcheons.
- PS Pool Shower - Outdoor Shower Company PM-250-ADA wall mounted shower with ADA metered push valve.
- FD Floor Drain - Joy R. Smith 2005-ASNB-U with cast iron body with Type "A" strainer.
- TP Trap Primer - Joy R. Smith 2698 "Primeeze" with P-trap & use soft copper tubing with no joints below floor to drain.
- TP-1 Trap Primer - Precision Plumbing Products "Oregon #1" with soft copper tubing to drain.
- WH Water Heater - Electric - Bradford White RE120L8 with 19 gallon storage with an electric input of 1500 watts, 120 volt single phase (or compatible) service. Unit shall have adjustable thermostat for each heating element. Tank shall be insulated with 2" thick fiberglas insulation and metal jacket. Watts LFBWM1 combination ball valve & thermal expansion valve to be installed.
- EWC Electric Water Cooler - Wall Hung Hi-Low - Acom A1120BF with self closing front & side pressbars.
- IM Ice Maker Connection - Water-Tite W6700
- KS Kitchen Sink - Countertop - ADA - Ekoy NE3324 self-rimming double bowl stainless steel sink with a 6" depth, Delta 400LF-HDF faucet with 4331.013 basket strainer, McGuire 8872 1-1/4" C.P. P-trap with cleanout, McGuire 170 supplies with wheel handle stops & escutcheons. Flow rate is 1.5 GPM.

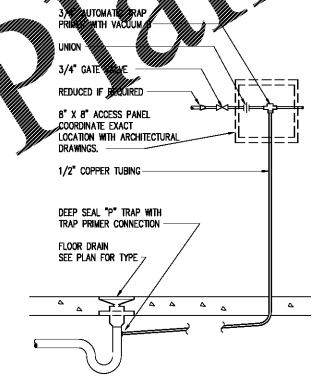


SANITARY RISER DIAGRAM

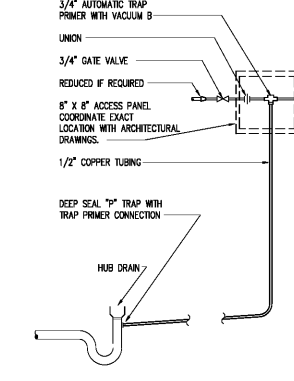
PLUMBING FLOOR PLAN



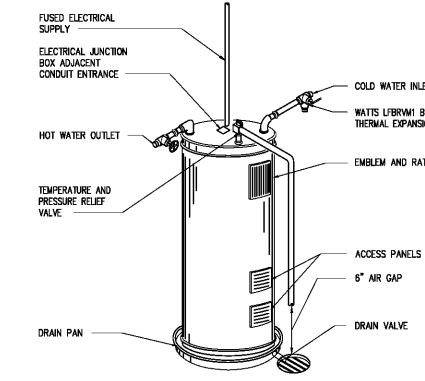
LAVATORY TRAP PRIMER



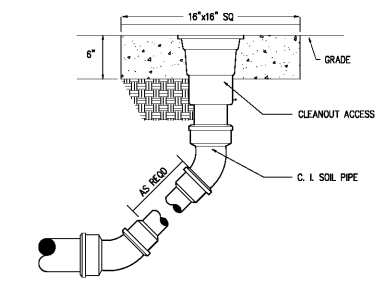
AUTOMATIC TRAP PRIMER



AUTOMATIC TRAP PRIMER



ELECTRIC WATER HEATER



EXTERIOR CLEANOUT DETAIL

Order Plans @

Pate Design Group, Inc.
Architecture / Interiors
4168 Abbotts Bridge Road
Duluth, Georgia 30097
(P) 770.814.0885
(F) 770.814.0888
Kirby@patedesigngroup.com

**POOL HOUSE
WISTERIA RIDGE**
Will-O-War Ilc
75 north Main Street
Watkinsville, GA 30677

Issue & Revisions:

No.	Date	Description

PLUMBING FLOOR PLAN & SPECS

Drawn	P-P1.1
Checked	
Contract No. 07-03	
Scale	

of sheets

THE DRAWING IS THE PROPERTY OF PATE DESIGN GROUP AND IS NOT TO BE COPIED, REPRODUCED, OR IN ANY MANNER USED FOR THE PROJECT AND THE SPECIFICALLY IDENTIFIED HEREIN AND IS NOT TO BE USED IN ANY OTHER PROJECT. IT IS TO BE RETURNED UPON REQUEST.