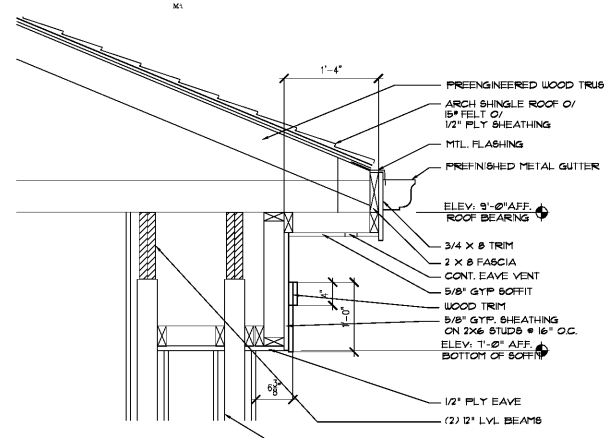
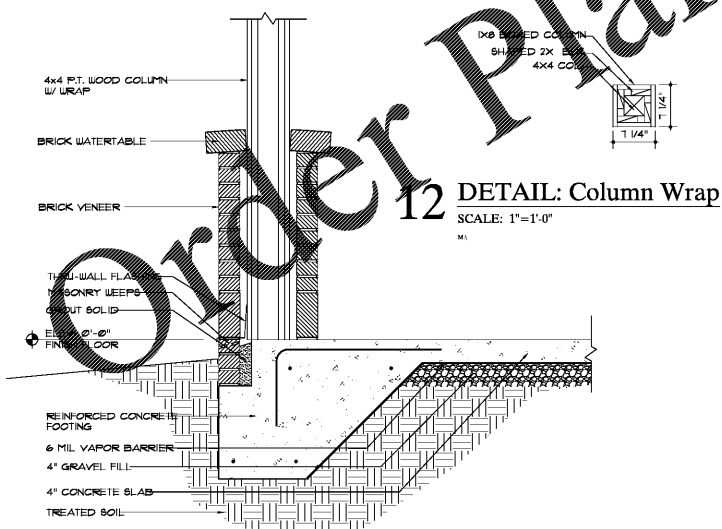


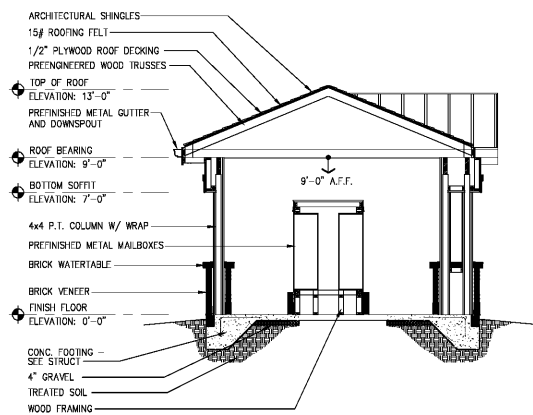
11 DETAIL: Eave
SCALE: 1"=1'-0"



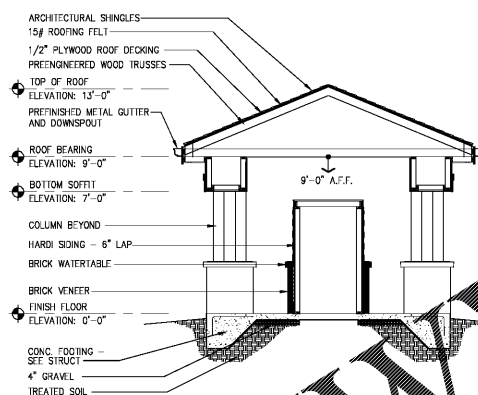
10 DETAIL: Eave
SCALE: 1"=1'-0"



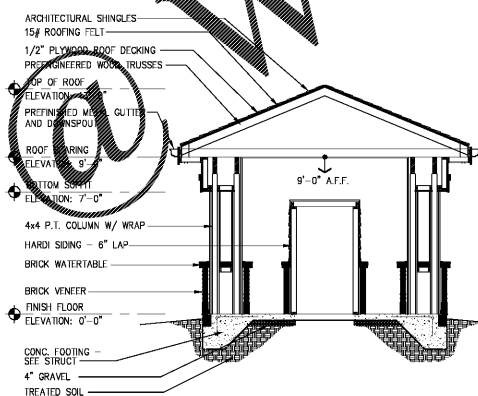
9 DETAIL: Column Footing
SCALE: 1"=1'-0"



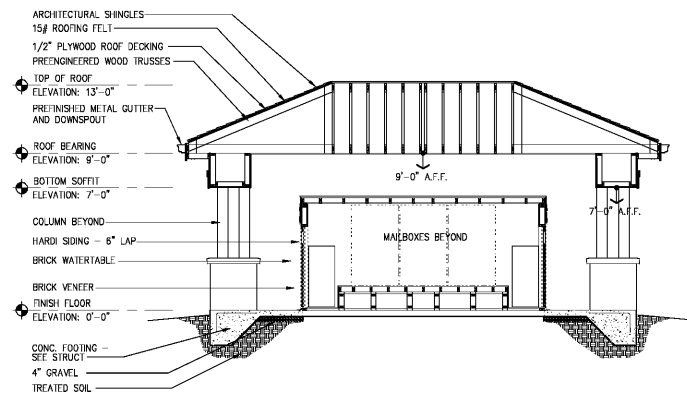
8 BUILDING SECTION: Cross
SCALE: 1/4"=1'-0"



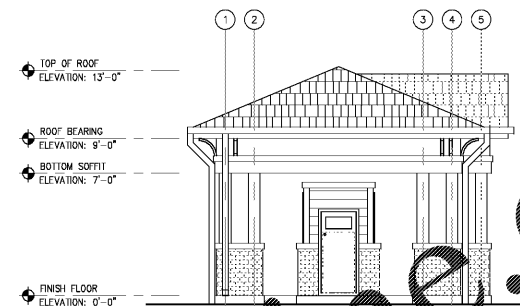
7 BUILDING SECTION: Cross
SCALE: 1/4"=1'-0"



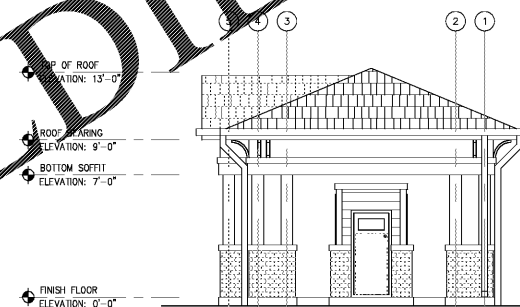
6 BUILDING SECTION: Cross
SCALE: 1/4"=1'-0"



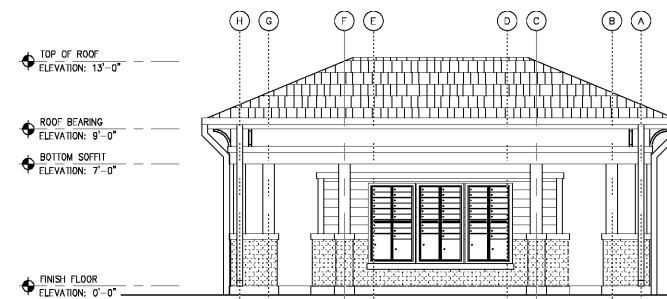
5 BUILDING SECTION: Cross
SCALE: 1/4"=1'-0"



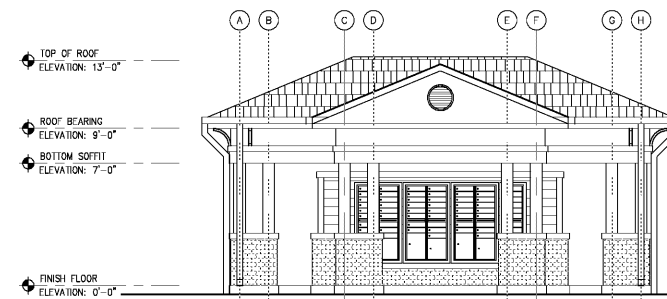
BUILDING ELEVATION: Left
SCALE: 1/4"=1'-0"



3 BUILDING ELEVATION: Right
SCALE: 1/4"=1'-0"



2 BUILDING ELEVATION: Rear
SCALE: 1/4"=1'-0"



1 BUILDING ELEVATION: Front
SCALE: 1/4"=1'-0"



Pate Design Group, Inc.
Architecture / Interiors

4158 Abbotts Bridge Road
Duluth, Georgia 30097

(p) 770.814.0885
(f) 770.814.0886

Kirby@patedesigngroup.com

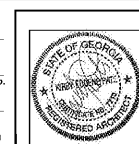
MAIL KIOSK
WISTERIA RIDGE
Will-O-War LLC
75 North Main Street
Watkinsville, GA 30677

Issue & Revisions:

No.	Date	Description
1	04.01.18	CLARIFICATION

BUILDING ELEVATIONS + SECTIONS

Drawn
MWB
Checked
KEP
Contract No.
07-03
Scale
AS NOTED



A2.0
of sheets

040119
THIS DRAWING IS THE PROPERTY OF PATE DESIGN GROUP AND IS NOT TO BE COPIED OR REPRODUCED IN ANY MANNER. IT IS TO BE USED FOR THE PROJECT AND SITE SPECIFICALLY IDENTIFIED HEREIN AND IS NOT TO BE USED IN ANY OTHER PROJECT. IT IS TO BE RETURNED UPON REQUEST.

RELEASED FOR CONSTRUCTION