



Pate Design Group, Inc.  
Architecture / Interiors

4168 Abbots Bridge Road  
Duluth, Georgia 30097

(p) 770.814.0885  
(f) 770.814.0886

Kirby@patedesigngroup.com

GENERAL NOTES

- FOUNDATION:
1. SEE SOILS REPORT FOR ADDITIONAL INFORMATION AND DESIGN REQUIREMENTS AND PARAMETERS.
2. FOOTINGS WERE DESIGNED FOR AN ASSUMED ALLOWABLE SOIL BEARING OF 2500 PSF AT WALLS & 2500 PSF AT COLUMNS. CONTRACTOR SHALL CONFIRM BEARING CAPACITY BEFORE PLACING ANY CONCRETE.
3. DEPTHS SHOWN IN SECTIONS TO TOP OF FOOTING ELEVATIONS SHOWN ARE MINIMUM DEPTH. DIFFERENT OR UNUSUAL CONDITIONS SHALL BE REPORTED TO THE ARCHITECT AND/OR ENGINEER.
4. ALL FOOTING REINFORCEMENT SHALL BE HELD SECURELY FROM THE GROUND. CONCRETE BLOCK AND BROKEN TILE SHALL NOT BE USED. CONCRETE OR CLAY BRICK MAY BE USED.
5. DOWEL ALL FOOTINGS AND WALLS WHERE THEY ABUT WITH SAME STEEL AS VERTICAL.
6. PROVIDE PREFORMED EXPANSION JOINT WITH SEALANT WHERE SHOWN.
7. IN FOOTINGS, UNLESS OTHERWISE SHOWN, PROVIDE CORNER BARS AT ALL EXTERIOR BUILDING CORNERS 10'-0" X 10'-0" TOP AND BOTTOM SAME AS HORIZONTAL REINFORCEMENT.

CONCRETE:

- 1. ALL CONCRETE SHALL HAVE A COMPRESSIVE STRENGTH AT 28 DAYS OF F'c = 3000 PSI, A MAXIMUM WATER-CEMENT RATIO OF 0.50 AND SHALL CONTAIN ENTRAINED AIR. SEE SPECS FOR ADDITIONAL INFORMATION.
2. ALL DEFORMED REINFORCING STEEL SHALL CONFORM TO ASTM A615 GRADE 60.
3. WELDED WIRE FABRIC SHALL CONFORM TO ASTM A185.
4. PROTECTIVE COVERING OF REINFORCEMENT (SEE DETAILS) SHALL BE AS FOLLOWS: FOOTINGS AND GRADE BEAMS 3" CLEAR BOTTOM AND SIDES, 1 1/2" CLEAR TOP. CONCRETE SLABS 3/4" CLEAR. CONCRETE PIERS AND WALLS 1 1/2" CLEAR SIDES.
5. LAP ALL CONTINUOUS BARS WITH CLASS B SPLICES (58 DIAMETERS) UNLESS OTHERWISE NOTED.
6. PLACING PLANS AND DETAILS SHALL BE IN ACCORDANCE WITH THE LATEST "A.C.I. DETAILING MANUAL".
7. STEEL FABRICATOR SHALL SUBMIT SHOP DRAWINGS FOR THE ARCHITECT AND/OR ENGINEER'S REVIEW.
8. THERE SHALL BE NO REINFORCING STEEL WELDED.
9. COMPRESSIVE STRENGTH TESTS SHALL BE AVAILABLE ON JOB SITE FOR REVIEW OF THE INSPECTOR.

MASONRY:

- 1. PROVIDE ASTM A951 MASONRY HORIZONTAL JOINT REINFORCEMENT 16" O.C. VERTICAL IN ALL CONCRETE BLOCK WALLS. REINFORCEMENT SHALL BE FOR TOTAL WIDTH OF CAVITY AND MULTI-WYTHE WALLS.
2. WHERE COLUMNS OR STUD PACKS BEAR ON CONCRETE BLOCK WALLS, BLOCK CELLS SHALL BE FILLED WITH CONCRETE 1'-4" WIDE TO FOUNDATION AND REINFORCED WITH A #5 EACH CELL, UNLESS OTHERWISE SHOWN.
3. CONCRETE OR GROUT FOR BLOCK FILL SHALL HAVE 3/8 INCH MAXIMUM SIZE COARSE AGGREGATE AND SUFFICIENT WATER SO THE CONCRETE WILL FLOW INTO THE BLOCK CELLS WITHOUT LEAVING VOIDS. HEIGHT OF LIFT WHEN FILLING CELLS SHALL NOT EXCEED 6'-0".
4. STABILIZE ALL MASONRY WALLS WITH ANCHORS NOTED BELOW.
5. UNLESS INDICATED OTHERWISE PROVIDE KEVED RUBBER MASONRY CONTROL JOINTS AT A MAXIMUM SPACING OF 30 FEET. JOINT SHALL BE DISCONTINUOUS AT BOND BEAM.
6. PROVIDE REINFORCING BAR SUPPORTS TO CENTER VERTICAL REINFORCING IN MASONRY WALLS.
7. PROVIDE 32 INCH LAP SPLICE IN VERTICAL MASONRY REINFORCING.
8. PROVIDE 4'-0" X 4'-0" CORNER BARS IN ALL U-BLOCK CORNERS.
9. SEE SPECIFICATIONS FOR CONCRETE MASONRY UNIT SIZE AND TYPE (ASTM C90), AND ARCHITECTURAL DRAWINGS FOR COURSING AND PLACEMENT. SEE ARCHITECTURAL DRAWINGS FOR CLAY BRICK MASONRY DETAILS.
10. MORTAR FOR CONCRETE MASONRY UNITS SHALL CONFORM TO ASTM C270 AND TO PROJECT SPECIFICATIONS.
11. IN-PLACE UNIT COMPRESSIVE STRENGTH OF REINFORCED CONCRETE MASONRY F'm SHALL BE 1500 PSI AT 28 DAYS.
12. COMPRESSIVE STRENGTH TESTS SHALL BE AVAILABLE ON JOB SITE FOR REVIEW OF THE INSPECTOR.
13. UNLESS SHOWN OTHERWISE, ANCHOR CMU WALLS TO STRUCTURE ABOVE VIA D/A 411 @ 48" O.C. AND TO STEEL COLUMNS VIA D/A 901 WITH D/A 100 AT 16" O.C.
14. MORTAR FOR MASONRY CONSTRUCTION SHALL CONFORM TO ASTM C270, TYPE M.
15. GROUT FOR MASONRY CONSTRUCTION SHALL CONFORM TO ASTM C476, 3000 PSI, MINIMUM, AS REQUIRED TO ACHIEVE F'm OF 1500 PSI AT 28 DAYS.

CODES:

ALL PARTS SHALL BE FURNISHED AND ERECTED ACCORDING TO THE ENFORCED APPLICABLE CODES AND SPECIFICATIONS OF THE FOLLOWING:
AMERICAN CONCRETE INSTITUTE (ACI)
AMERICAN INSTITUTE OF STEEL CONSTRUCTION (AISC)
AMERICAN WELDING SOCIETY (AWS D1.1)
AMERICAN IRON & STEEL INSTITUTE (AISI)
AMERICAN INSTITUTE OF TIMBER CONSTRUCTION (AITC)

SEISMIC DATA (W/ RISK CAT II):

Table with 3 columns: Name, Value, Description. Includes parameters like Sps, S1, S2, S3, S4, S5, S6, S7, S8, S9, S10, S11, S12, S13, S14, S15, S16, S17, S18, S19, S20, S21, S22, S23, S24, S25, S26, S27, S28, S29, S30, S31, S32, S33, S34, S35, S36, S37, S38, S39, S40, S41, S42, S43, S44, S45, S46, S47, S48, S49, S50, S51, S52, S53, S54, S55, S56, S57, S58, S59, S60, S61, S62, S63, S64, S65, S66, S67, S68, S69, S70, S71, S72, S73, S74, S75, S76, S77, S78, S79, S80, S81, S82, S83, S84, S85, S86, S87, S88, S89, S90, S91, S92, S93, S94, S95, S96, S97, S98, S99, S100.

Additional Information

Table with 3 columns: Name, Value, Description. Includes parameters like SDC, Fp, Fv, CRs, CRt, PGA, Fpga, PGA2.

DESIGN LIVE LOADS:

- ROOF: 20 PSF.
WIND: ASCE 7-05, 90 MPH.
IMPORTANCE FACTOR I = 1.0, CATEGORY I
EXPOSURE CATEGORY B
INTERNAL PRESSURE COEFFICIENT = +/-0.18
WIND: ASCE 7-10, 115 MPH.
IMPORTANCE FACTOR I = 1.0, CATEGORY I
EXPOSURE CATEGORY B
INTERNAL PRESSURE COEFFICIENT = +/-0.18
SNOW: IBC 2015 W/ GA STATE AMENDMENTS
SEISMIC - SEE TABLE THIS SHEET... IBC 2015 W/ GA STATE AMENDMENTS
STAIRS (WHERE APPLICABLE): 100 PSF

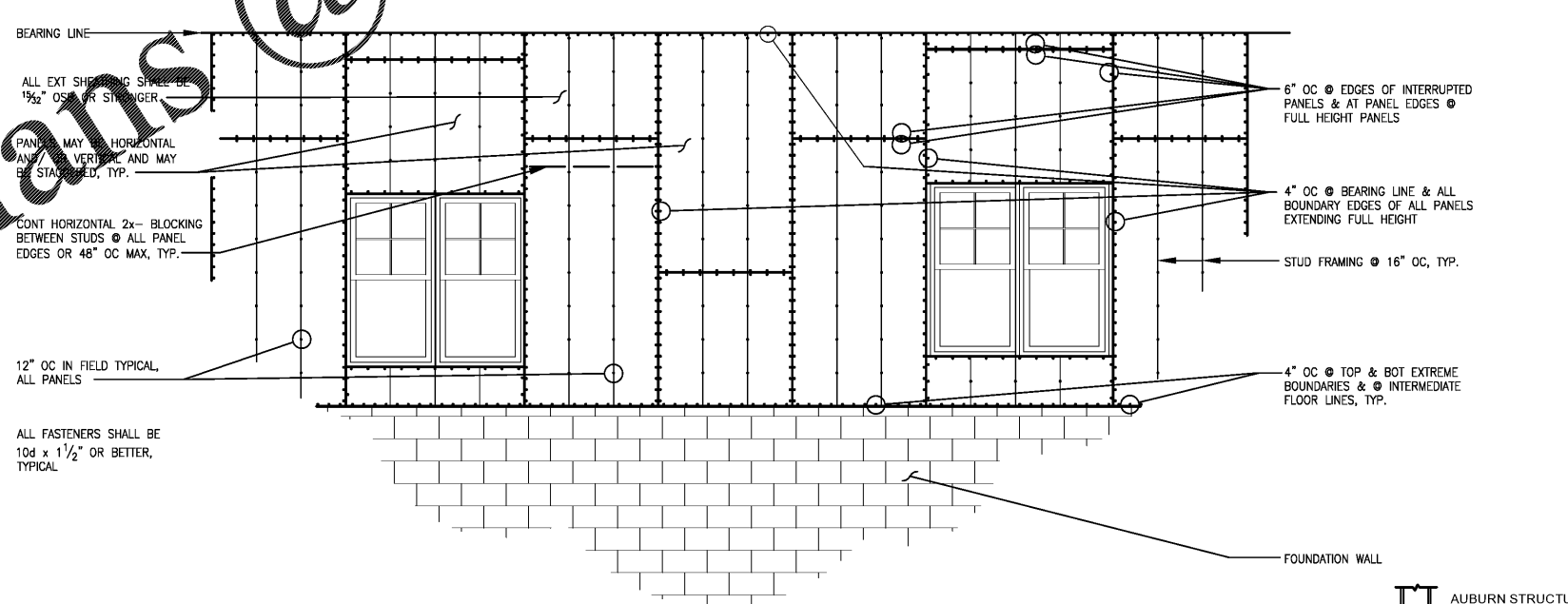
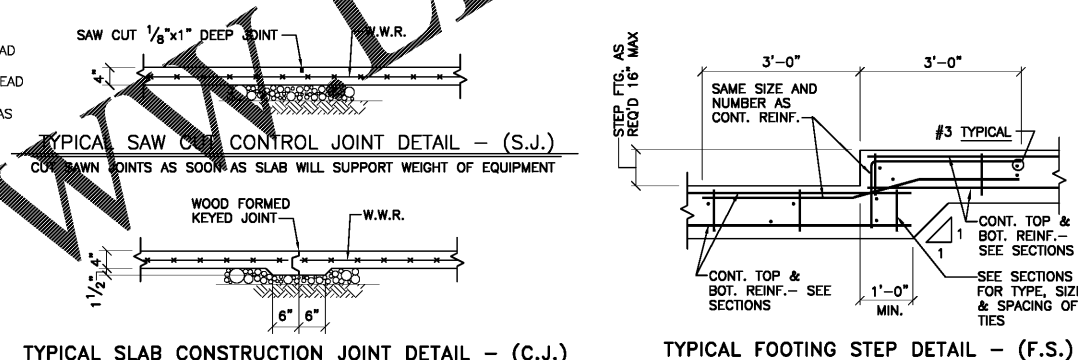
WOOD FRAMING:

- 1. ALL WOOD FRAMING MEMBERS SHALL BE STRESS RATED AND GRADE MARKED.
2. FRAMING MEMBERS INCLUDING STUDS SHALL BE NO.2, KILN DRIED, SOUTHERN YELLOW PINE OR APPROVED EQUAL. PROVIDE LAMINATED VENEER LUMBER (LVL) MEMBERS WITH E=2,000,000 PSI, AND Fb = 2850 PSI
3. PROVIDE PREFABRICATED WOOD TRUSSES WHERE SHOWN ON PLANS.
4. ALL TRUSSES SHALL BE DESIGNED AND MANUFACTURED TO MEET THE FOLLOWING WORKING LOADS AND CODES.
MINIMUM LOADS:
PREFABRICATED DIMENSIONAL LUMBER ROOF TRUSSES:
TOP CHORD LIVE LOAD: 20 PSF.
TOP CHORD DEAD LOAD: 13 PSF.
CEILING LOAD: 10 PSF.
PREFABRICATED DIMENSIONAL LUMBER FLOOR TRUSSES:
TOP CHORD LIVE LOAD: 40 PSF.
TOP CHORD DEAD LOAD: 15 PSF.
TOP CHORD PARTITION DEAD LOAD: 10 PSF.
CEILING LOAD: 5 PSF.

- 5. CONNECTORS SHALL MEET THE SPECIFICATIONS OF THE TRUSS PLATE INSTITUTE. MANUFACTURER SHALL SUBMIT SHOP DRAWINGS AND DESIGN CALCULATIONS FOR EACH TYPE TRUSS. DESIGNS SHALL BE SIGNED BY A REGISTERED PROFESSIONAL ENGINEER, REGISTERED IN THE STATE OF THE PROJECT. SIZES OF MEMBERS MAY BE CHANGED AS ALLOWED OR REQUIRED BY THE GRADE OF LUMBER USED AND THE INTERNAL CONFIGURATION EXCEPT THAT ALL TOP CHORDS AND BOTTOM CHORDS OF DIMENSIONAL LUMBER TRUSSES SHALL BE 2X6 MINIMUM.
7. PROVIDE CAMBER IN ALL TRUSSES TO OFFSET NOT LESS THAN 3/4 DEAD LOAD.
8. ANCHOR ALL TRUSSES, JOISTS, AND RAFTERS TO SUPPORTS WITH GALVANIZED FRAMING ANCHORS CAPABLE OF RESISTING ALL REACTIONS INCLUDING UPLIFT FORCES.
9. IN ADDITION TO THE "X" BRACING SHOWN ON THE CONTRACT DRAWINGS, THE CONTRACTOR SHALL PROVIDE ALL BRACING REQUIRED BY THE TRUSS MANUFACTURER.
10. ROOF TRUSS DEFLECTIONS SHALL BE LIMITED TO L/180 FOR TOTAL (DEAD PLUS LIVE LOADS) AND TO L/240 FOR LIVE AND WIND LOADS.
11. FLOOR TRUSS DEFLECTIONS SHALL BE LIMITED TO L/240 FOR TOTAL (DEAD PLUS LIVE LOADS) AND TO L/480 FOR LIVE LOADS.
12. CONTRACTOR SHALL INSTALL TEMPORARY AND OR PERMANENT BRACING AS TRUSSES ARE ERECTED AS REQ'D FOR SAFE ERECTION PROCESS.

LINTEL SCHEDULE table with columns: MARK OR LOCATION, MAX. SPAN, TYPE, SIZE, REINFORCEMENT, REMARKS. Includes entries for 4" BRICK, WOOD STUDS, and DIMENSIONAL LUMBER.

NOTES:
1 - BEAR ON DOUBLE STUDS EACH END, GROUND FLR TO ROOF AT EXTERIOR WALLS AND PROVIDE ADDITIONAL STUDS FULL HEIGHT, CONFIRM PATH OF LOADS TO FOUNDATION. CONTACT ENGINEER W/ DIFFERENT OR UNUSUAL CONDITIONS.



TYPICAL EXTERIOR SHEATHING FASTENER DIAGRAM
NO SCALE

AUBURN STRUCTURAL DESIGN, INC.
ROY H. MAYO, JR. P.E.
2008 PARKBROOK LN
AUBURN, AL 36850
(334) 826-8040
engineer@auststructure.com
www.auststructure.com

GARAGE BUILDINGS
Will-O-War LLC
75 North Main Street
Watkinsville, GA 30677

Issue & Revisions table with columns: No., Date, Description. Includes one entry for clarification on 06.01.19.

GENERAL NOTES, AND TYP. SECTIONS + DETAILS

Professional Engineer seal for Roy H. Mayo, Jr., P.E., State of Georgia, License No. 10000.

GA-S10
040119

RELEASED FOR CONSTRUCTION