



Pate Design Group, Inc.  
 Architecture / Interiors  
 4168 Abbots Bridge Road  
 Duluth, Georgia 30097  
 (p) 770.814.0885  
 (f) 770.814.0886  
 Kirby@patedesigngroup.com

G-1 AND G-2  
 WISTERIA RIDGE  
 Will-O-War LLC  
 75 North Main Street  
 Watkinsville, GA 30677

Issue & Revisions:

No.	Date	Description
1	08.19.12	CLARIFICATION

ROOF FRAMING  
 SECTIONS &  
 DETAILS

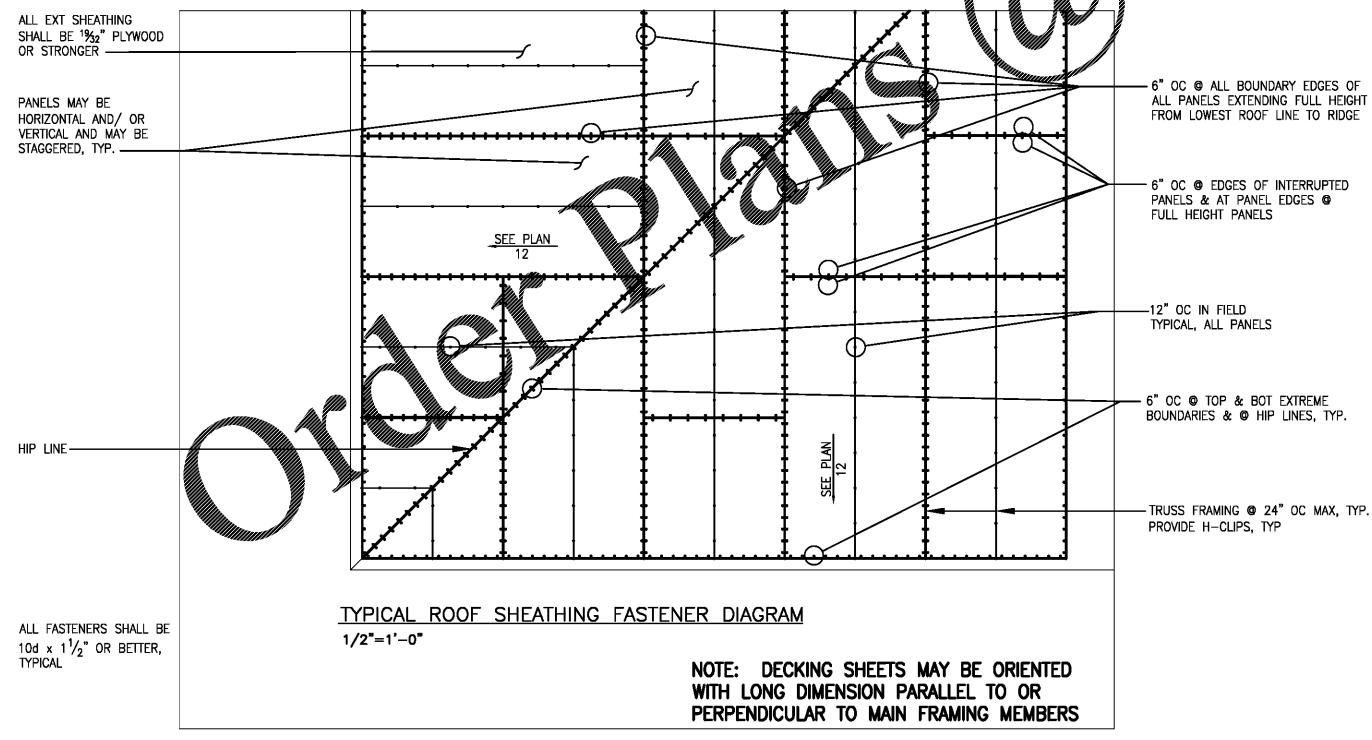
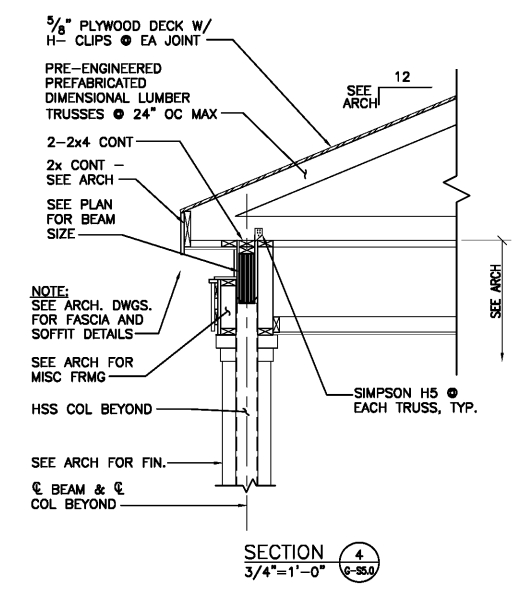
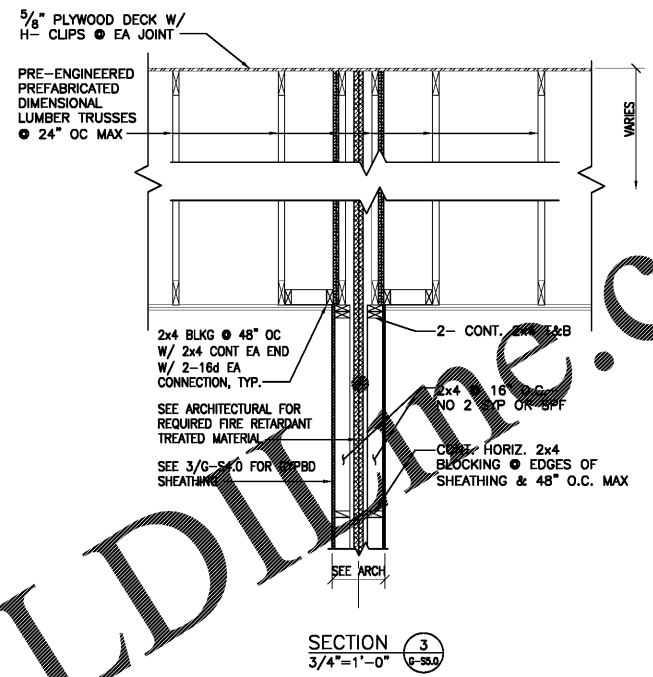
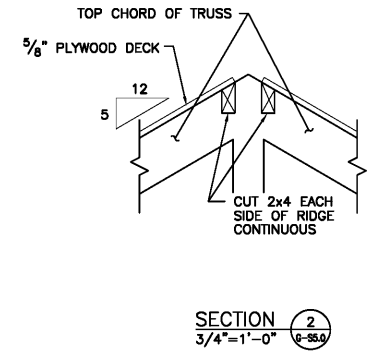
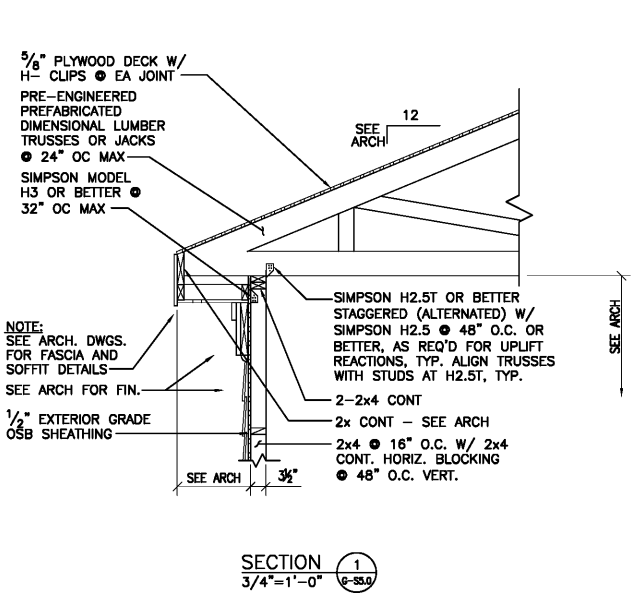
Drawn	CKT
Checked	
RHM	
Contract No.	07-03
Scale	AS NOTED

G-S5.0

040119 of sheets

THIS DRAWING IS THE PROPERTY OF PATE DESIGN GROUP AND IS NOT TO BE COPIED, REPRODUCED, OR IN ANY MANNER, IT IS TO BE USED FOR THE PROJECT AND SITE SPECIFICALLY IDENTIFIED HEREIN AND IS NOT TO BE USED IN ANY OTHER PROJECT. IT IS TO BE RETURNED UPON REQUEST.

RELEASED FOR CONSTRUCTION



AUBURN STRUCTURAL  
 DESIGN, INC.  
 ROY H. MAYO, JR., P.E.  
 2006 JANABROOK LN  
 AUBURN, AL 36820  
 (334) 826-8040  
 engineer@auststructure.com/  
 www.auststructure.com

WWW.LDIDLINE.COM

Order Plans @