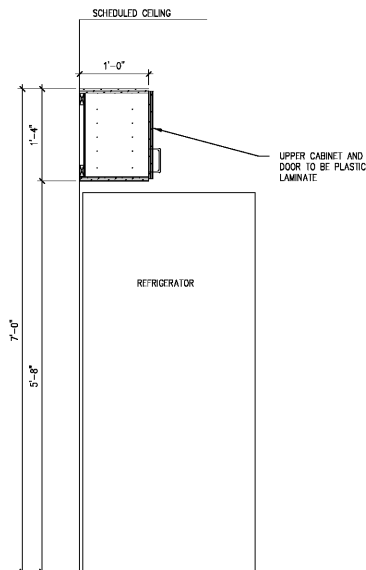




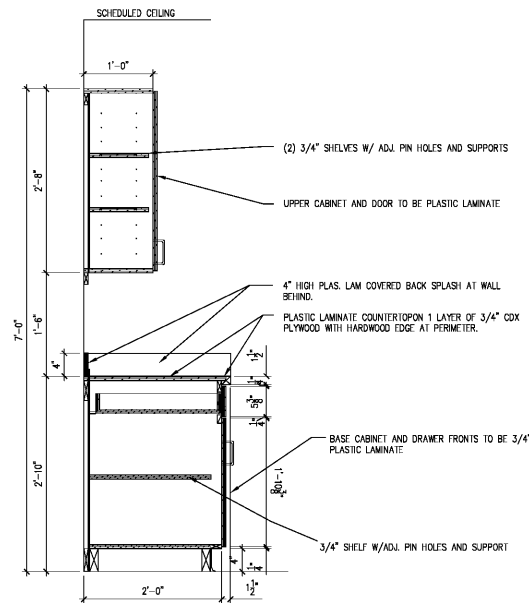
Pate Design Group, Inc.
Architecture / Interiors
4168 Abbotts Bridge Road
Duluth, Georgia 30097

(p) 770.814.0885
(f) 770.814.0888
Kirby@patedesigngroup.com

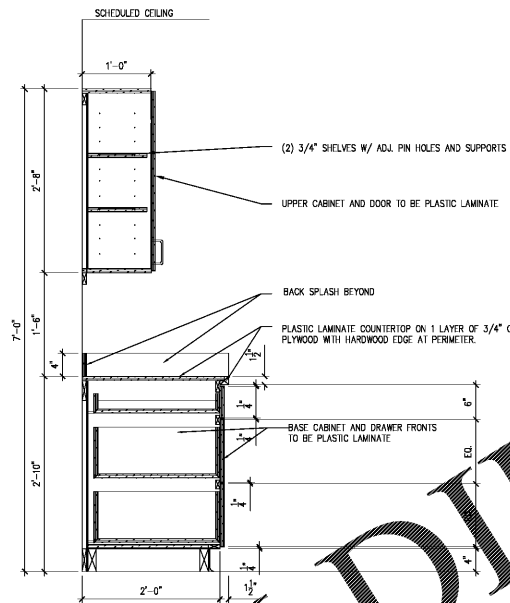
G-1 AND G-2
WISTERIA RIDGE
Will-O-War LLC
75 North Main Street
Watkinsville, GA 30677



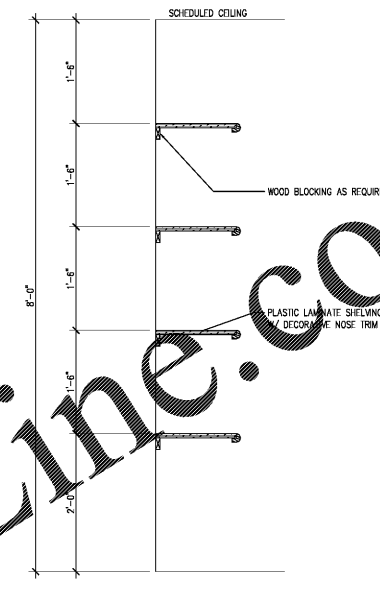
9 DETAIL: Thru Refrigerator
SCALE: 1"=1'-0"



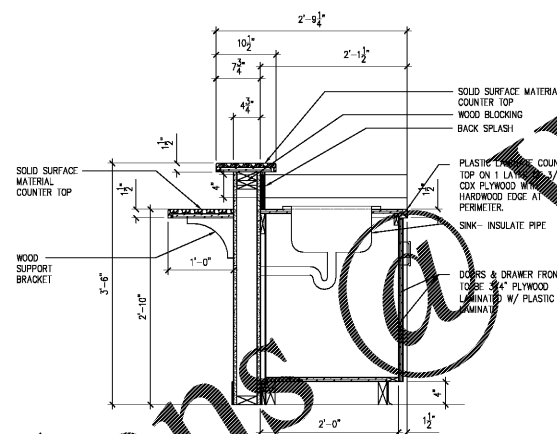
8 DETAIL: Typ. Cabinets
SCALE: 1"=1'-0"



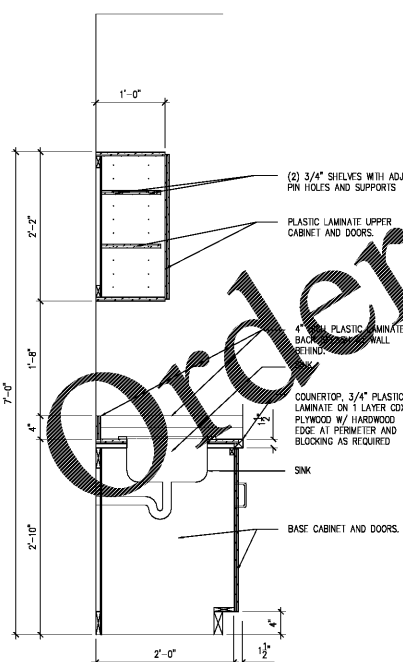
7 DETAIL: Thru Drawers
SCALE: 1"=1'-0"



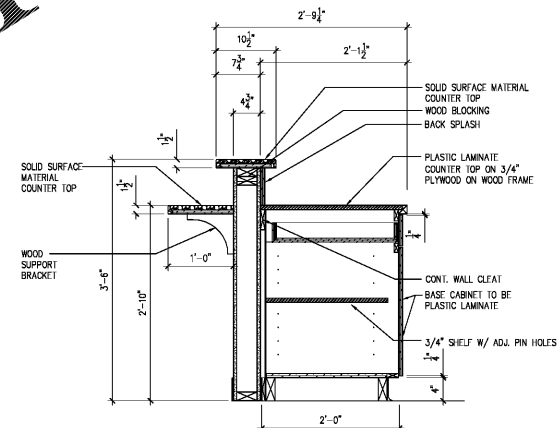
6 DETAIL: Thru Shelves
SCALE: 1"=1'-0"



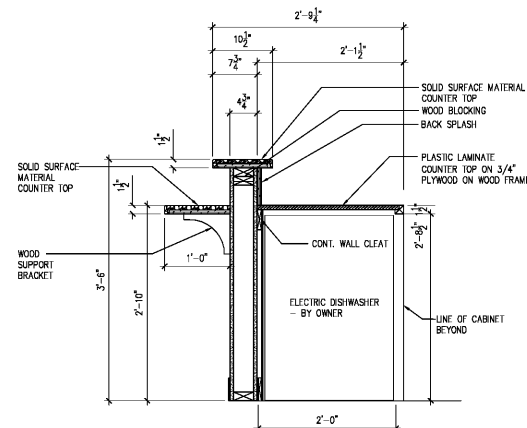
4 DETAIL: Bar Thru Sink
SCALE: 1"=1'-0"



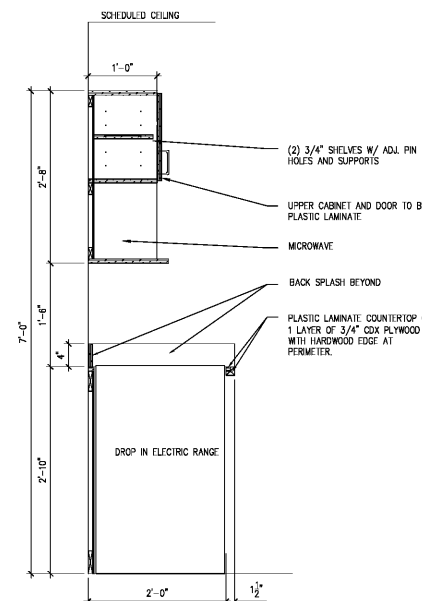
5 DETAIL: Cabinet Thru Sink
SCALE: 1"=1'-0"



3 DETAIL: Bar Cabinet
SCALE: 1"=1'-0"



2 DETAIL: Bar Thru Dishwasher
SCALE: 1"=1'-0"



1 DETAIL: Thru Range
SCALE: 1"=1'-0"

MILLWORK NOTES:

- CONTRACTOR TO VERIFY ALL APPLIANCES, COORDINATE DIMENSIONS, AIR SPACE REQUIREMENTS, POWER AND OTHER REQUIREMENTS PRIOR TO FABRICATION.
- INTERIOR OF ALL CABINETS TO HAVE ADJUSTABLE SHELVING, INTERIOR FINISH OF CABINETS TO BE SELECTED BY OWNER, INTERIOR OF OPEN SHELVING TO MATCH P. LAM.
- PROVIDE 4" BAR TYPE DOOR AND DRAWER PULLS. COLOR TO BE SATIN CHROME FINISH. CONTRACTOR TO SUBMIT SAMPLE FOR APPROVAL.
- DIMENSIONS ARE TO BE FIELD VERIFIED PRIOR TO FABRICATION. ANY DISCREPANCIES SHALL BE REVIEWED WITH THE ARCHITECT.
- CONTRACTOR TO PROVIDE GROMMET HOLES AND GROMMET COVERS AS REQUIRED. VERIFY WITH OWNER.
- ALL PLASTIC LAMINATE MILLWORK TO HAVE SQUARE EDGE.
- ALL CABINET HINGES TO BE CONCEALED.
- ALL APPLIANCES TO BE PROVIDED BY OWNER U.O.N.
- CONTRACTOR TO VERIFY WITH TENANT IF ANY CABINETS ARE TO BE PROVIDED WITH LOCKS, AND PROVIDE AS REQ'D.
- CONTRACTOR TO PROVIDE ALL BLOCKING AS REQUIRED/NECESSARY.
- CONTRACTOR TO PROVIDE SUPPORT AS REQUIRED. ALL SUPPORTS TO MATCH P.LAM. OF ITEM IT IS SUPPORTING.
- DRAWER GLIDES TO BE ACCURIDE, FULL EXTENSION.
- ALL CABINETRY AND COUNTERS ARE TO BE CONSTRUCTED PER A.W.I.'S PREMIUM GRADE QUALITY STANDARDS.
- PROVIDE CONCEALED SOLID WOOD BLOCKING FOR NEW CABINETS AT NEW CONSTRUCTION.

Issue & Revisions:

No.	Date	Description
1	04.01.19	CLARIFICATION

MILLWORK DETAILS

Drawn
MWB
Checked
KEP
Contract No.
07-03
Scale
AS NOTED

A8.2
of sheets

040119
THIS DRAWING IS THE PROPERTY OF PATE DESIGN GROUP AND IS NOT TO BE COPIED IN WHOLE OR IN PART. IT IS TO BE USED FOR THE PROJECT AND SITE SPECIFICALLY IDENTIFIED HEREIN AND IS NOT TO BE USED IN ANY OTHER PROJECT. IT IS TO BE RETURNED UPON REQUEST.

RELEASED FOR CONSTRUCTION