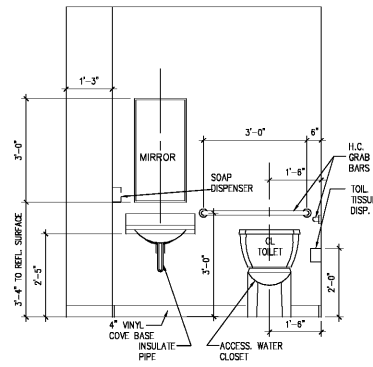
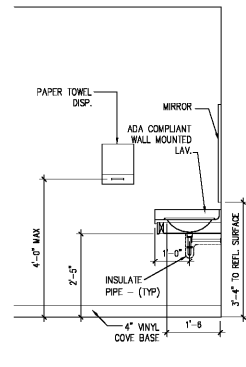


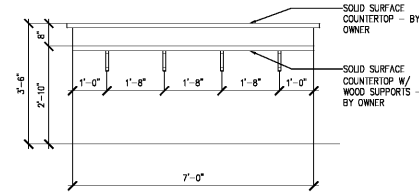
15 ELEVATION: MP Toilet
SCALE: 1/2"=1'-0"



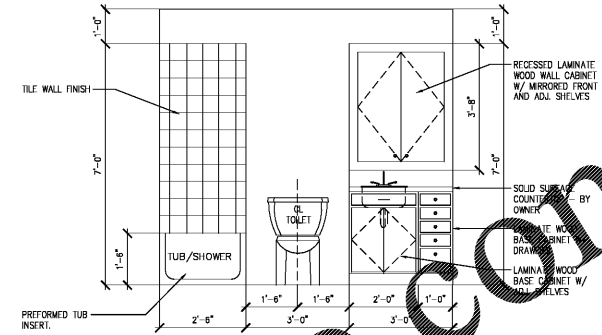
14 ELEVATION: MP Toilet
SCALE: 1/2"=1'-0"



13 ELEVATION: MP Toilet
SCALE: 1/2"=1'-0"



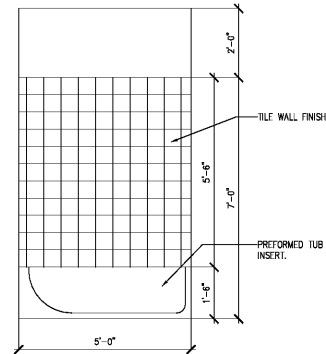
8 ELEVATION: 2 BR Kitchen Bar
SCALE: 1/2"=1'-0"



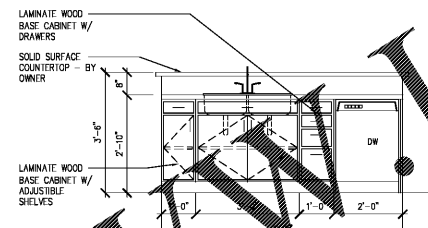
4 ELEVATION: 1 BR Bathroom
SCALE: 1/2"=1'-0"

GENERAL NOTES:

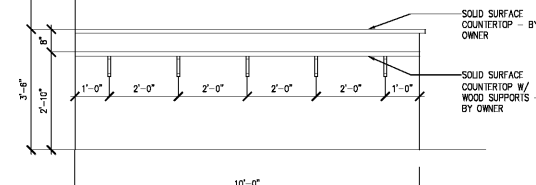
- 1) CONTRACTOR TO VERIFY ALL ROUGH-IN REQUIREMENTS.
- 2) DIMENSIONS ARE TO BE FIELD VERIFIED PRIOR TO FABRICATION. ANY DISCREPANCIES SHALL BE REVIEWED WITH THE ARCHITECT FOR APPROVAL.
- 3) ALL SINKS IN TOILETS IN PUBLIC AREAS TO BE INSTALLED PER ADA SPECIFICATIONS PER GEORGIA ACCESSIBILITY CODE SECTION 120-3-20-30.
- 4) ALL WATER CLOSETS IN TOILETS IN PUBLIC AREAS TO BE INSTALLED PER ADA SPECIFICATIONS PER GEORGIA ACCESSIBILITY CODE SECTION 120-3-20-27.
- 5) ALL ACCESSIBLE GRAB BARS IN TOILETS IN PUBLIC AREAS TO BE INSTALLED PER ADA SPECIFICATIONS PER GEORGIA ACCESSIBILITY CODE SECTION 120-3-20-27-(4). CONTRACTOR TO PROVIDE WOOD BLOCKING AS REQUIRED.



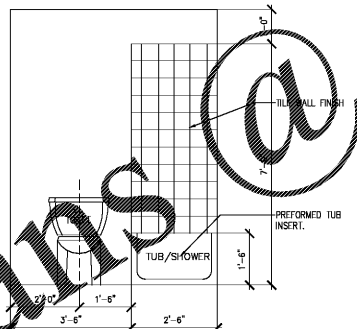
11 ELEVATION: 2 BR Tub
SCALE: 1/2"=1'-0"



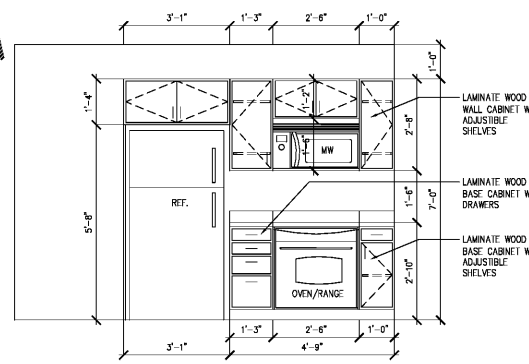
7 ELEVATION: 2 BR Kitchen Bar
SCALE: 1/2"=1'-0"



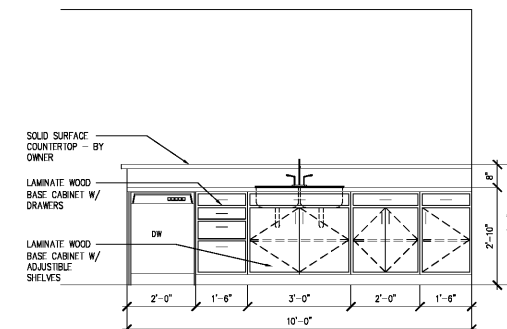
3 ELEVATION: 1 BR Kitchen Bar
SCALE: 1/2"=1'-0"



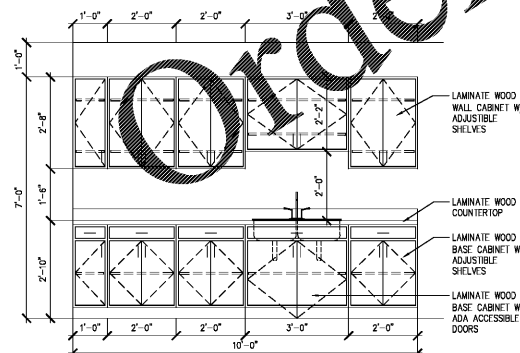
10 ELEVATION: 2 BR Toilet
SCALE: 1/2"=1'-0"



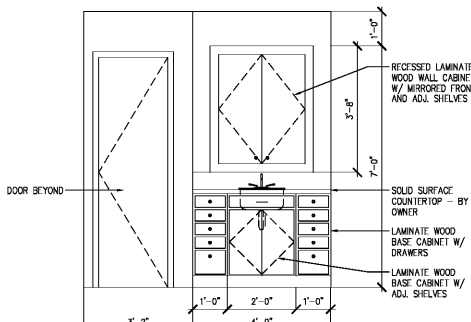
6 ELEVATION: 2 BR Kitchen
SCALE: 1/2"=1'-0"



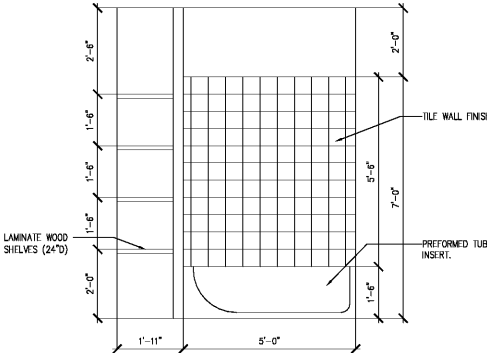
2 ELEVATION: 1 BR Kitchen Bar
SCALE: 1/2"=1'-0"



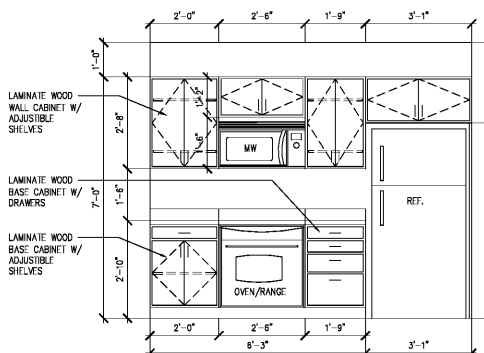
12 ELEVATION: Multi-purpose Cabinet
SCALE: 1/2"=1'-0"



9 ELEVATION: 2 BR Bathroom
SCALE: 1/2"=1'-0"



5 ELEVATION: 1 BR Bathroom Shelves
SCALE: 1/2"=1'-0"



1 ELEVATION: 1 BR Kitchen
SCALE: 1/2"=1'-0"



Pate Design Group, Inc.
Architecture / Interiors
4168 Abbotts Bridge Road
Duluth, Georgia 30097
(p) 770.814.0885
(f) 770.814.0886
Kirby@patedesigngroup.com

G-1 AND G-2
WISTERIA RIDGE
Will-O-War LLC
75 North Main Street
Watkinsville, GA 30677

Issue & Revisions:

No.	Date	Description
1	04.01.19	CLARIFICATION

INTERIOR ELEVATIONS

Drawn
MWB
Checked
KEP
Contract No.
07-03
Scale
AS NOTED



A8.1

040119 of sheets

THIS DRAWING IS THE PROPERTY OF PATE DESIGN GROUP AND IS NOT TO BE COPIED IN WHOLE OR IN PART. IT IS TO BE USED FOR THE PROJECT AND SITE SPECIFICALLY IDENTIFIED THEREIN AND IS NOT TO BE USED IN ANY OTHER PROJECT. IT IS TO BE RETURNED UPON REQUEST.

RELEASED FOR CONSTRUCTION