



Pate Design Group, Inc.
Architecture / Interiors

4168 Abbots Bridge Road
Duluth, Georgia 30097

(P) 770.814.0885
(F) 770.814.0886

Kirby@patedesigngroup.com



F-3 UNIT
WISTERIA RIDGE

Will-O-War Ilc
75 north Main Street
Watkinsville, GA 30677

Issue & Revisions:

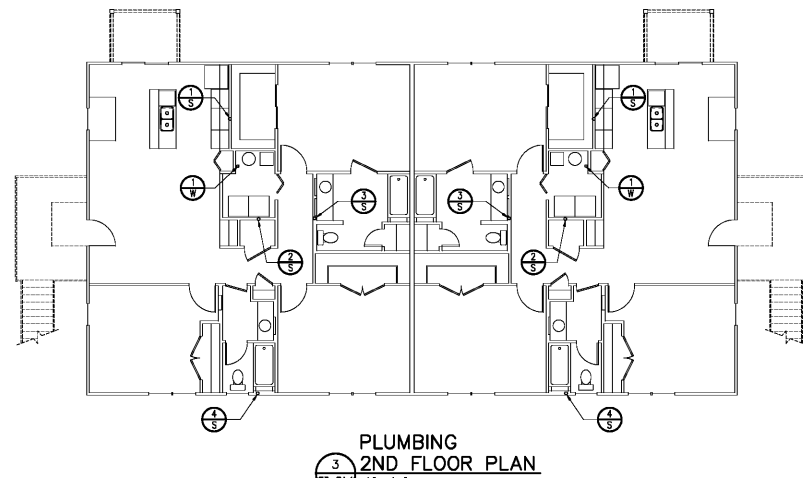
No.	Date	Description

PLUMBING
FLOOR PLAN
& SPECS

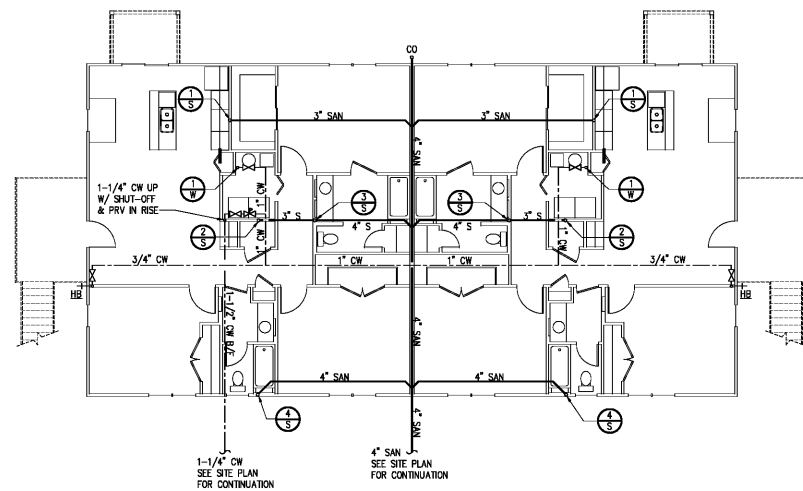
Drawn	RK
Checked	RK
Contract No.	F3-P1.1
Date	07-03
Scale	AS NOTED

of sheets

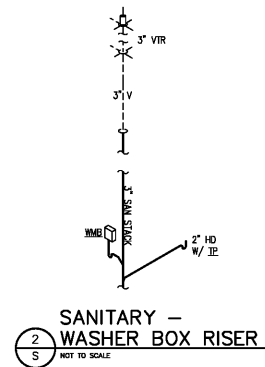
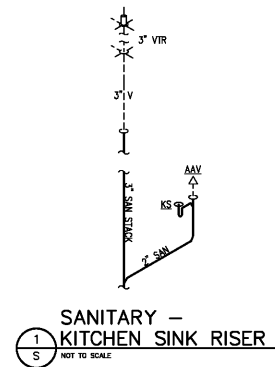
THIS DRAWING IS THE PROPERTY OF PATE DESIGN GROUP AND IS NOT TO BE COPIED, REPRODUCED, OR IN ANY MANNER BE USED FOR THE PROJECT AND THE SPECIFICALLY IDENTIFIED METHOD AND IS NOT TO BE USED IN ANY OTHER PROJECT. IT IS TO BE RETURNED UPON REQUEST.



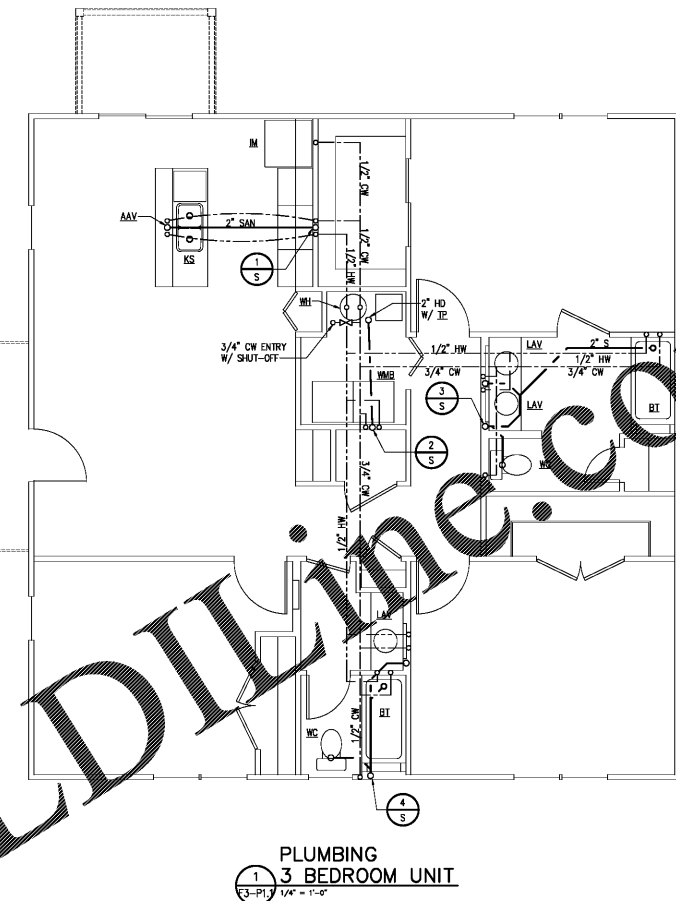
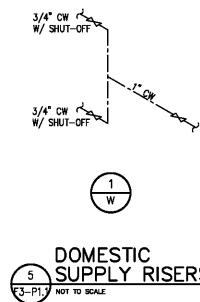
PLUMBING
2ND FLOOR PLAN
F3-P1.1 1/4" = 1'-0"



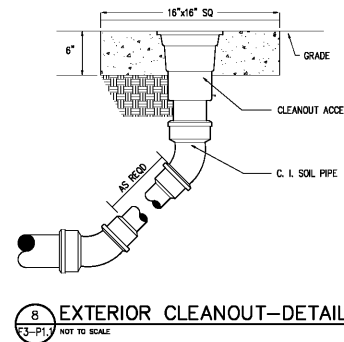
PLUMBING
1ST FLOOR PLAN
F3-P1.1 1/4" = 1'-0"



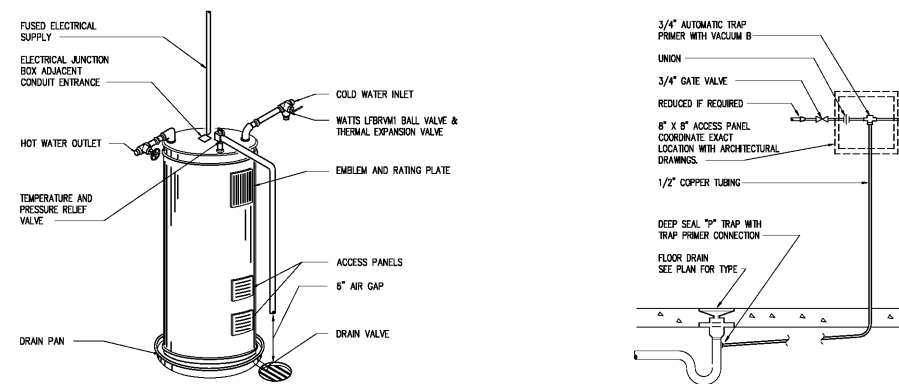
NOTE: BACK TO BACK RISERS MAY BE COMBINED



PLUMBING
3 BEDROOM UNIT
F3-P1.1 1/4" = 1'-0"



EXTERIOR CLEANOUT-DETAIL
F3-P1.1 NOT TO SCALE



ELECTRIC WATER HEATER
F3-P1.1 NOT TO SCALE

AUTOMATIC TRAP PRIMER
F3-P1.1 NOT TO SCALE

PLUMBING FIXTURES (OR APPROVED EQUAL)

- WC Water Closet - Floor Mounted - Tank type - American Standard 2832128 Cadet 3 Flowless (15" high) elongated water sewer, 1.28 GPF, white vitreous china toilet, siphon jet action, close coupled tank and two bolt caps. Seat to be 5901100 white solid plastic open front heavy duty.
- LAV Lavatory - Countertop - American Standard 0439.004 Ohio white vitreous china self-rimming lavatory, Delta 5011F-H04M0F 4" center-set faucet with chrome single lever handle & a 0.5 GPM flow rate, McGuire 155A grid drain assembly, with 1-1/4" tailpiece, McGuire 8672 1-1/4" P-trap with cleanout, McGuire 170 supplies with wheel handle stops & escutcheons.
- KS Kitchen Sink - Countertop - American Standard 1508.332284.073 self-rimming double bowl stainless steel sink, Delta 4007F-H0F faucet with 431.013 basket strainer, McGuire 8672 1-1/4" C.P. P-trap with cleanout, McGuire 170 supplies with wheel handle stops & escutcheons. Flow rate is 1.5 GPM.
- BT Bathtub - Clarian RE8830 (60"x30"), Delta R10000-UNWS pressure balancing valve with trim package T134232 single lever tub and shower valve. Shower head flow rate is 1.5 GPM.
- WH Water Heater - Electric - Bradford White RE35076 with 50 gallon storage with an electric input of 4500 watts, 240 volt single phase (or compatible) service. Unit shall have adjustable thermostat for each heating element. Tank shall be insulated with 2" thick fiberglose insulation and metal jacket. Watts L7ERV1 combination ball valve & thermal expansion valve to be installed. Energy Factor is 0.95.
- HB Hose Bibb - Freezless - Woodford Model 065 with anti-siphon vacuum breaker & self draining trap.
- WMB Washing Machine Box - Water-Tite Model W4700
- TP Trap Primer - Precision Plumbing Products "Oregon #1" with soft copper tubing to drain.
- M Ice Maker Connection - Water-Tite W9700
- AAV Air Admittance Valve - Studor Redi-Vent
- Garbage disposal - In-Sink-Erator
- Dishwasher Drain & Supply - Brass Craft 36-E11

PLUMBING NOTES AND SPECIFICATIONS

1. FURNISH ALL LABOR, MATERIAL, AND EQUIPMENT REQUIRED FOR A COMPLETE PLUMBING SYSTEM IN ACCORDANCE WITH ALL NATIONAL, STATE, AND LOCAL CODES.
2. FURNISH AND INSTALL ALL SYSTEMS OF SOIL, WASTE, AND VENT PIPING, HOT & COLD WATER PIPING, AND DRAINAGE PIPING INCLUDING ALL FITTINGS, VALVES, ETC. AS REQUIRED.
3. FURNISH AND INSTALL ALL PLUMBING FIXTURES AND EQUIPMENT AS SHOWN ON THE DRAWINGS.
4. ALL PLUMBING WORK SHALL BE DONE UNDER THE SUPERVISION OF A LICENSED AND QUALIFIED PLUMBER FOR ALL LOCAL, STATE, AND NATIONAL CODES AND TO THE COMPLETE SATISFACTION OF THE LOCAL PLUMBING INSPECTOR.
5. SUBMISSION OF A BID OR PROPOSAL SHALL BE CONSIDERED AS EVIDENCE THAT THE CONTRACTOR HAS FAMILIARIZED HIMSELF WITH THE PLANS, SPECIFICATIONS, AND BUILDING SITE. CLAIMS MADE SUBSEQUENT TO BIDS FOR MATERIALS AND/OR LABOR DUE TO DIFFICULTIES ENCOUNTERED WILL NOT BE RECOGNIZED, UNLESS DIFFICULTIES SHOULD NOT HAVE BEEN FORESEEN EVEN THOUGH PROPER EXAMINATION HAD BEEN MADE.
6. CONTRACTOR SHALL BE RESPONSIBLE FOR ALL UTILITY CONNECTIONS AND SHALL BEAR ALL COSTS OF INSTALLING NEW WATER METER.
7. ALL MATERIALS SHALL BE NEW, CLEAN, AND WITHOUT DEFECTS. ANY DEFECTIVE MATERIALS SHALL BE REMOVED FROM THE JOB SITE.
8. ALL PLUMBING PIPING SHALL BE CONCEALED WITHIN THE BUILDING STRUCTURE AND ABOVE DROP CEILINGS.
9. ALL HOT AND COLD WATER PIPING SHALL BE COPPER TYPE "L".
10. ALL COPPER DOMESTIC PIPING SHALL HAVE SOLDER JOINTS, 95-5 NO-LEAD SOLDER, AND SUPPORTED ADEQUATELY FROM STRUCTURE WITH SPLIT RING HANGERS.
11. COLD WATER PIPING IN UNCONDITIONED SPACES AND ALL HOT WATER PIPING SHALL BE INSULATED WITH 1/2" THICK PRE-FORMED FOAM PIPE INSULATION BY INCOLOC. INSULATE FITTINGS WITH MITERED SECTIONS.
12. SANITARY, WASTE, AND VENT PIPING ABOVE GRADE SHALL BE NO-10 CAST IRON OR ASTM D2565-81 PVC SCHEDULE 40 PIPE.
13. CLEANOUT VALVES SHALL BE INSTALLED IN ACCORDANCE WITH PLUMBING CODE REQUIREMENTS AT EACH CHANGE IN DIRECTION & AT THE BASE OF EACH SANITARY STACK. CLEANOUTS SHALL BE PLACED IN READILY ACCESSIBLE LOCATIONS.
14. PROVIDE VALVES FOR DOMESTIC WATER SYSTEM TO CUT-OFF WATER SERVICE MAIN INSIDE THE BUILDING, AT EACH WALL HYDRANT, AND TO EACH FLOOR FOR THE BUILDING.
15. PROVIDE WATER PREVENTER AND SHUT-OFF VALVES AT WATER METER, OR AS SHOWN, WATTS SERIES 009 WITH DRAIN TO OUTSIDE.
16. PROVIDE WATER PRESSURE REDUCING VALVE WATTS USB. (SET AT 60 PSI).
17. INSULATE ALL EXPOSED PIPING UNDER HANDICAPPED LAVATORIES WITH TRU-BRO.
18. FIRESTOPS SHALL BE PROSET "FIRESTOP PENETRATORS."
19. PROVIDE WATTS MODEL 15 WATER HAMMER ARRESTORS WHERE QUICK CLOSING VALVES ARE UTILIZED.
20. UPON COMPLETION OF THE WORK, TEST ALL PIPING SYSTEMS AS FOLLOWS:
 - A. DRAINAGE SYSTEMS INCLUDING SANITARY SEWERS, ROOF DRAINAGE, AND SANITARY VENTS: PLUG LOW POINTS OF SYSTEM AND FILL WITH WATER TO UPPERMOST OUTLET UP TO TWELVE (12) FEET HIGH, WHICHEVER IS LOWER. LET SYSTEM STAND FULL OF WATER WITH NO INDICATIONS OF LEAKS.
 - B. DOMESTIC HOT AND COLD WATER: 150 PSIG HYDROSTATIC TEST. HOLD HYDROSTATIC TESTS FOR A MINIMUM OF EIGHT (8) HOURS WITHOUT LOSS OF PRESSURE. HOLD AIR TESTS FOR A MINIMUM OF ONE HOUR WITHOUT SIGNIFICANT LOSS OF PRESSURE. WITH APPROVAL OF ARCHITECT, AIR TESTING MAY BE SUBSTITUTED FOR HYDROSTATIC TESTING IN FREEZING WEATHER.
21. RETESTING: RETEST PIPING FAILING INITIAL TESTS FOLLOWING CORRECTION OF DEFECTIVE WORK. REQUIREMENTS OF INITIAL TESTS SHALL APPLY.