



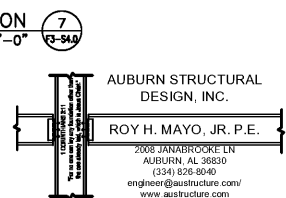
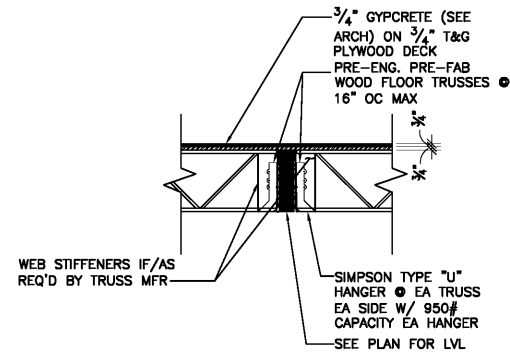
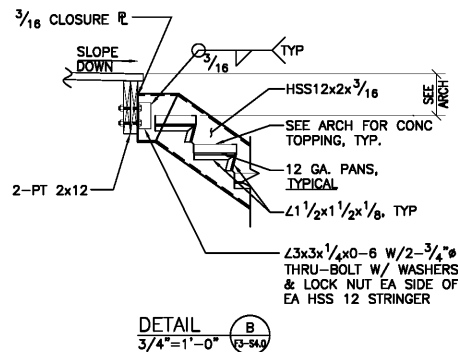
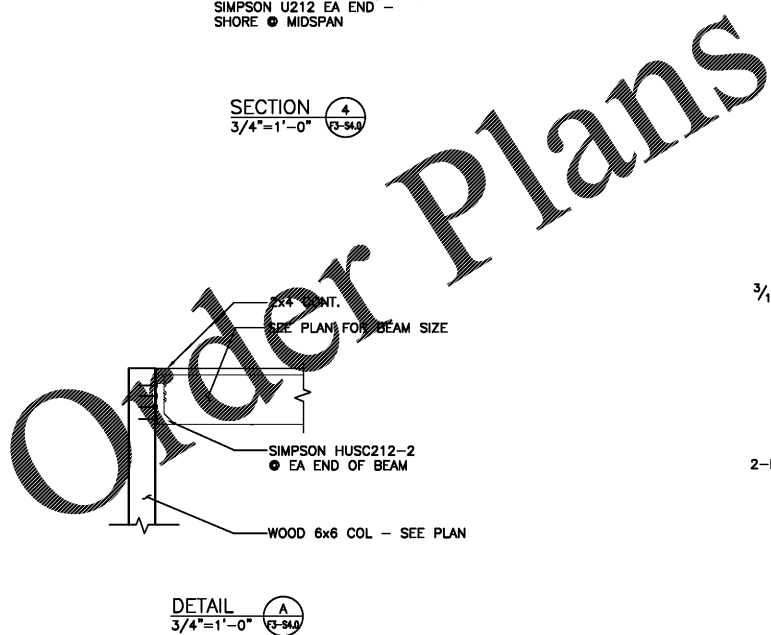
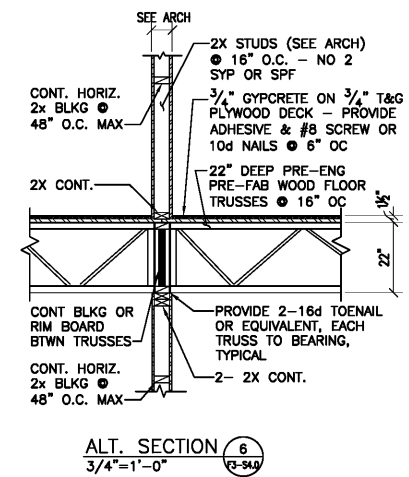
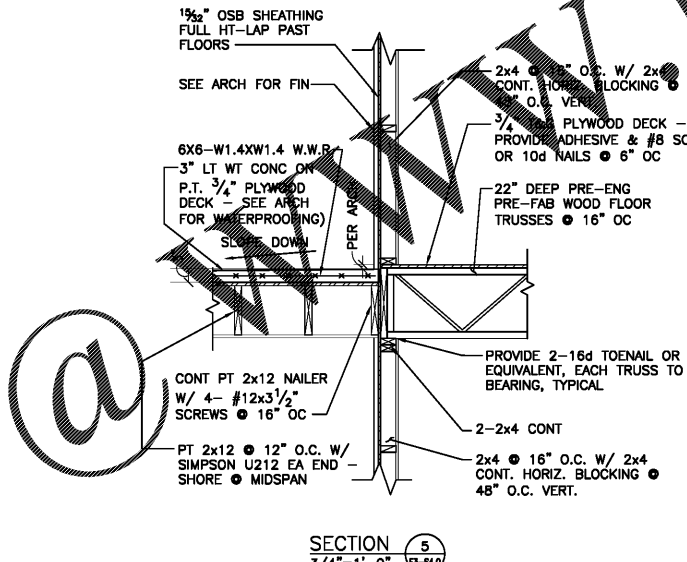
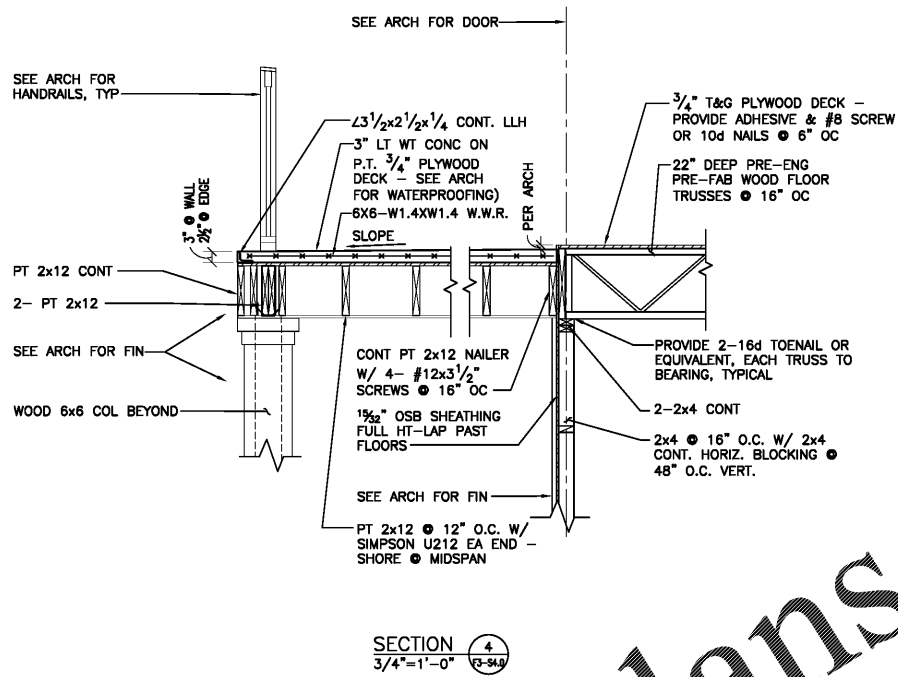
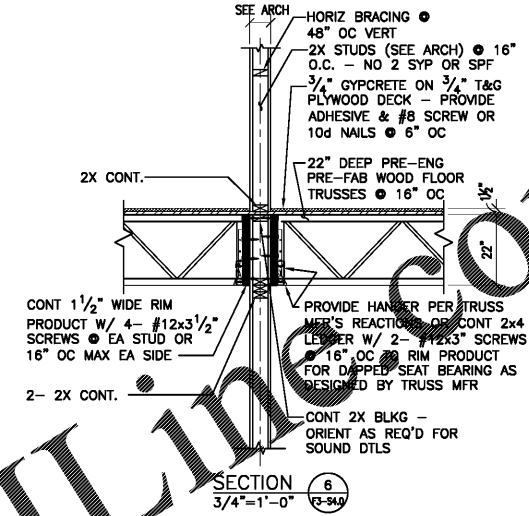
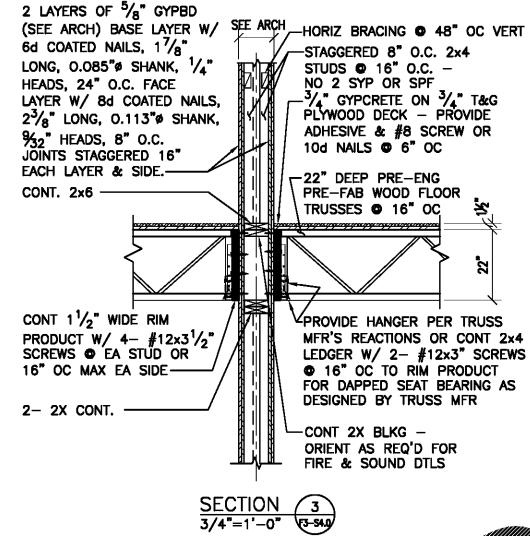
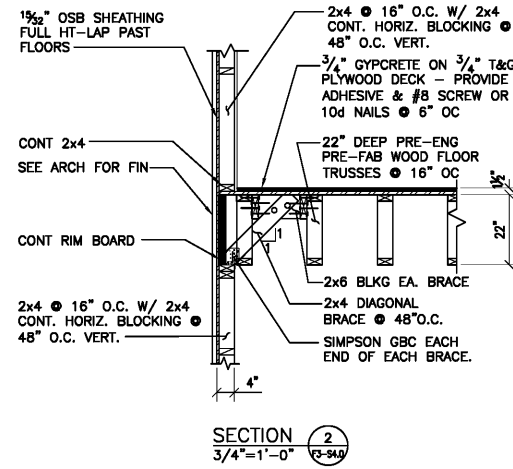
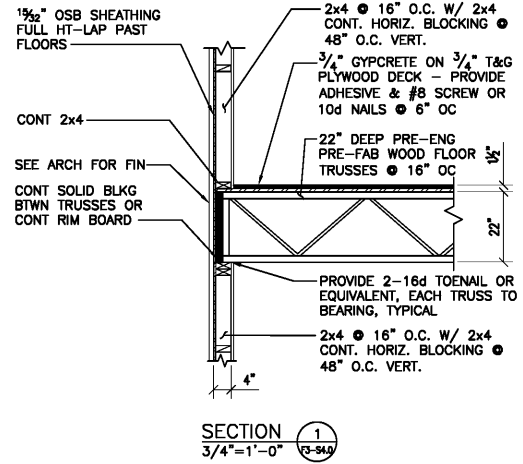
Pate Design Group, Inc.
Architecture / Interiors

4168 Abbotts Bridge Road
Duluth, Georgia 30097

(p) 770.814.0885
(f) 770.814.0886

Kirby@patedesigngroup.com

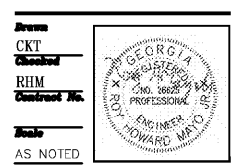
F-3 UNIT
WISTERIA RIDGE
Will-O-War LLC
75 North Main Street
Watkinsville, GA 30677



Issue & Revisions:

No.	Date	Description
1	5-6-11	CLARIFICATION

FLOOR FRAMING SECTIONS & DETAILS



F3-S4.0

040119

THIS DRAWING IS THE PROPERTY OF PATE DESIGN GROUP AND IS NOT TO BE COPIED, REPRODUCED, OR IN ANY MANNER. IT IS TO BE USED ONLY FOR THE PROJECT AND SITE SPECIFICALLY IDENTIFIED HEREIN AND IS NOT TO BE USED IN ANY OTHER PROJECT. IT IS TO BE RETURNED UPON REQUEST.

RELEASED FOR CONSTRUCTION