

GENERAL NOTES

FOUNDATION:

- SEE SOILS REPORT FOR ADDITIONAL INFORMATION AND DESIGN REQUIREMENTS AND PARAMETERS.
- FOOTINGS WERE DESIGNED FOR AN ASSUMED ALLOWABLE SOIL BEARING OF 2500 PSF AT WALLS & 2500 PSF AT COLUMNS. CONTRACTOR SHALL CONFIRM BEARING CAPACITY BEFORE PLACING ANY CONCRETE.
- DEPTHS SHOWN IN SECTIONS TO TOP OF FOOTING ELEVATIONS SHOWN ARE MINIMUM DEPTH. DIFFERENT OR UNUSUAL CONDITIONS SHALL BE REPORTED TO THE ARCHITECT AND/OR ENGINEER.
- ALL FOOTING REINFORCEMENT SHALL BE HELD SECURELY FROM THE GROUND. CONCRETE BLOCK AND BROKEN TILE SHALL NOT BE USED. CONCRETE OR CLAY BRICK MAY BE USED.
- DOWEL ALL FOOTINGS AND WALLS WHERE THEY ABUT WITH SAME STEEL AS VERTICAL.
- PROVIDE PREFORMED EXPANSION JOINT WITH SEALANT WHERE SHOWN. IN FOOTINGS, UNLESS OTHERWISE SHOWN, PROVIDE CORNER BARS AT ALL EXTERIOR BUILDING CORNERS 10'-0" X 10'-0" TOP AND BOTTOM SAME AS HORIZONTAL REINFORCEMENT.

CONCRETE:

- ALL CONCRETE SHALL HAVE A COMPRESSIVE STRENGTH AT 28 DAYS OF $f'_c = 3000$ PSI, A MAXIMUM WATER-CEMENT RATIO OF 0.50 AND SHALL CONTAIN ENTRAINED AIR. SEE SPECS FOR ADDITIONAL INFORMATION.
- ALL DEFERRED REINFORCING STEEL SHALL CONFORM TO ASTM A615 GRADE 60.
- WELDED WIRE FABRIC SHALL CONFORM TO ASTM A185.
- PROTECTIVE COVERING OF REINFORCEMENT (SEE DETAILS) SHALL BE AS FOLLOWS: FOOTINGS AND GRADE BEAMS 3" CLEAR BOTTOM AND SIDES, 1 1/2" CLEAR TOP. CONCRETE SLABS 3/4" CLEAR. CONCRETE PIERS AND WALLS 1 1/2" CLEAR SIDES.
- LAP ALL CONTINUOUS BARS WITH CLASS B SPLICES (58 DIAMETERS) UNLESS OTHERWISE NOTED.
- PLACING PLANS AND DETAILS SHALL BE IN ACCORDANCE WITH THE LATEST "A.C.I. DETAILING MANUAL".
- STEEL FABRICATOR SHALL SUBMIT SHOP DRAWINGS FOR THE ARCHITECT AND/OR ENGINEER'S REVIEW.
- THERE SHALL BE NO REINFORCING STEEL WELDED.
- COMPRESSIVE STRENGTH TESTS SHALL BE AVAILABLE ON JOB SITE FOR REVIEW OF THE INSPECTOR.

MASONRY:

- PROVIDE ASTM A951 MASONRY HORIZONTAL JOINT REINFORCEMENT 16" O.C. VERTICAL IN ALL CONCRETE BLOCK WALLS. REINFORCEMENT SHALL BE FOR TOTAL WIDTH OF CAVITY AND MULTI-WYTHE WALLS. JOINT REINFORCING SHALL BE "LADDER TYPE" EQUAL TO OR BETTER THAN DUR-0-WAL D/A 3200 WITH W1.7 SIDE RODS.
- WHERE COLUMNS OR STUD PACKS BEAR ON CONCRETE BLOCK WALLS, BLOCK CELLS SHALL BE FILLED WITH CONCRETE 1'-4" WIDE TO FOUNDATION AND REINFORCED WITH A #5 EACH CELL, UNLESS OTHERWISE SHOWN.
- CONCRETE OR GROUT FOR BLOCK FILL SHALL HAVE 3/8" INCH MAXIMUM SIZE COARSE AGGREGATE AND SUFFICIENT WATER SO THE CONCRETE WILL FLOW INTO THE BLOCK CELLS WITHOUT LEAVING Voids. HEIGHT OF LIFT WHEN CASTING CELLS SHALL NOT EXCEED 6'-0".
- STABILIZE ALL MASONRY WALLS WITH ANCHORS NOTED BELOW.
- UNLESS INDICATED OTHERWISE PROVIDE KEYPED RUBBER MASONRY CONTROL JOINTS AT A MAXIMUM SPACING OF 30 FEET. JOINT SHALL BE DISCONTINUOUS AT BOND BEAM.
- PROVIDE REINFORCING BAR SUPPORTS TO CENTER VERTICAL REINFORCING IN MASONRY WALLS.
- PROVIDE 32 INCH LAP SPlice IN VERTICAL MASONRY REINFORCING.
- PROVIDE 4'-0" X 4'-0" CORNER BARS IN ALL U-BLOCK CORNERS.
- SEE SPECIFICATIONS FOR CONCRETE MASONRY UNIT SIZE AND TYPE (ASTM C90), AND ARCHITECTURAL DRAWINGS FOR COURSING AND PLACEMENT. SEE ARCHITECTURAL DRAWINGS FOR CLAY BRICK MASONRY DETAILS.
- MORTAR FOR CONCRETE MASONRY UNITS SHALL CONFORM TO ASTM C270 AND TO PROJECT SPECIFICATIONS.
- IN-PLACE UNIT COMPRESSIVE STRENGTH OF REINFORCED CONCRETE MASONRY f'_m SHALL BE 1500 PSI AT 28 DAYS.
- COMPRESSIVE STRENGTH TESTS SHALL BE AVAILABLE ON JOB SITE FOR REVIEW OF THE INSPECTOR.
- UNLESS SHOWN OTHERWISE, ANCHOR CMU WALLS TO STRUCTURE ABOVE VIA DUR-0-WAL D/A 411 @ 48" O.C. AND TO STEEL COLUMNS VIA D/A 901 WITH D/A 100 AT 16" O.C.
- MORTAR FOR MASONRY CONSTRUCTION SHALL CONFORM TO ASTM C270, TYPE M.
- GROUT FOR MASONRY CONSTRUCTION SHALL CONFORM TO ASTM C476, 3000 PSI, MINIMUM, AS REQUIRED TO ACHIEVE f'_m OF 1500 PSI AT 28 DAYS.

GENERAL DESIGN INFORMATION:

- BUILDING AND COMPONENTS DESIGNED IN COMPLIANCE WITH IBC 2003 OR 2006 AND APPLICABLE AMENDMENTS.
- MANUFACTURERS OF BUILDING COMPONENTS SUCH AS CURTAIN WALL SYSTEMS, ETC., SHALL SUBMIT SHOP DRAWINGS SEALED BY A REGISTERED ENGINEER AS REQUIRED BY LOCAL ORDINANCES. SAID SHOP DRAWINGS SHALL BE AVAILABLE AT JOB SITE DURING TIMES OF INSPECTION.

CODES:

ALL PARTS SHALL BE FURNISHED AND ERRECTED ACCORDING TO THE ENFORCED APPLICABLE CODES AND SPECIFICATIONS OF THE FOLLOWING:
 AMERICAN CONCRETE INSTITUTE (ACI)
 AMERICAN INSTITUTE OF STEEL CONSTRUCTION (AISC)
 AMERICAN WELDING SOCIETY (AWS D1.1)
 AMERICAN IRON & STEEL INSTITUTE (AISI)
 AMERICAN INSTITUTE OF TIMBER CONSTRUCTION (AITC)

SEISMIC DATA (W/ RISK CAT II):

Basic Parameters

Name	Value	Description
F_g	0.205	MCEg ground motion (period > 0.2s)
S_s	0.003	MCEs ground motion (period < 0.2s)
$S_{M0.2}$	0.328	Site-modified spectral acceleration value
S_{M1}	0.224	Site-modified spectral acceleration value
S_{M2}	0.219	Nearctic seismic design value at 0.2s SA
S_{M1}	0.142	Nearctic seismic design value at 1.0s SA

Additional Information

Name	Value	Description
SDC	C	Seismic design category
F_a	1.6	Site amplification factor at 0.2s
F_v	2.4	Site amplification factor at 1.0s
C_R	0.04	Coefficient of reduction
C_R	0.9	Coefficient of reduction
$P_G A$	0.095	MCEg peak ground acceleration
F_{PGA}	1.8	Site amplification factor at PGA
$P_G A_{22}$	0.153	Site modified peak ground acceleration

DESIGN LIVE LOADS:

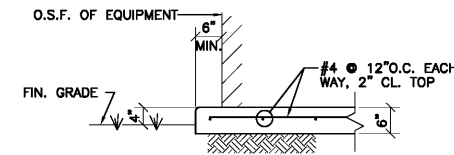
ROOF.....20 PSF.
 WIND.....ASCE 7-05, 90 MPH.
 IMPORTANCE FACTOR I = 1.0, CATEGORY I
 EXPOSURE CATEGORY B
 INTERNAL PRESSURE COEFFICIENT = +/- 0.18
 WIND.....ASCE 7-10, 115 MPH.
 IMPORTANCE FACTOR I = 1.0, CATEGORY I
 EXPOSURE CATEGORY B
 INTERNAL PRESSURE COEFFICIENT = +/- 0.18
 SNOW.....IBC 2015 W/ GA STATE AMENDMENTS
 SEISMIC: SEE TABLE THIS SHEET...IBC 2015 W/ GA STATE AMENDMENTS
 STAIRS (WHERE APPLICABLE).....100 PSF

WOOD FRAMING:

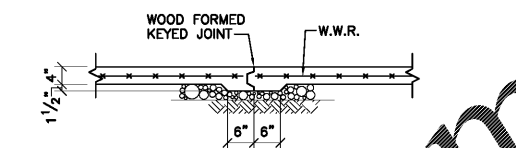
- ALL WOOD FRAMING MEMBERS SHALL BE STRESS RATED AND GRADE MARKED.
- FRAMING MEMBERS INCLUDING STUDS SHALL BE NO.2, KILN DRIED, SOUTHERN YELLOW PINE OR APPROVED EQUAL. PROVIDE LAMINATED VENEER LUMBER (LVL) MEMBERS WITH $E=2,000,000$ PSI, AND $F_b = 2850$ PSI
- PROVIDE PREFABRICATED WOOD TRUSSES WHERE SHOWN ON PLANS.
- ALL TRUSSES SHALL BE DESIGNED AND MANUFACTURED TO MEET THE FOLLOWING WORKING LOADS AND CODES.
 PREFABRICATED DIMENSIONAL LUMBER ROOF TRUSSES:
 TOP CHORD LIVE LOAD.....20 PSF.
 TOP CHORD DEAD LOAD.....13 PSF.
 CEILING LOAD.....10 PSF.
 PREFABRICATED DIMENSIONAL LUMBER FLOOR TRUSSES:
 TOP CHORD LIVE LOAD.....40 PSF.
 TOP CHORD DEAD LOAD.....15 PSF.
 TOP CHORD PARTITION DEAD LOAD.....10 PSF.
 CEILING LOAD.....5 PSF.

- CONNECTORS SHALL MEET THE SPECIFICATIONS OF THE TRUSS PLATE INSTITUTE. MANUFACTURER SHALL SUBMIT SHOP DRAWINGS AND DESIGN CALCULATIONS FOR EACH TYPE TRUSS. DESIGNS SHALL BE SIGNED BY A REGISTERED PROFESSIONAL ENGINEER, REGISTERED IN THE STATE OF THE PROJECT. SIZES OF MEMBERS MAY BE CHANGED AS ALLOWED OR REQUIRED BY THE GRADE OF LUMBER USED AND THE INTERNAL CONFIGURATION EXCEPT THAT ALL TOP CHORDS AND BOTTOM CHORDS OF DIMENSIONAL LUMBER TRUSSES SHALL BE 2X6 MINIMUM.
- PROVIDE CAMBER IN ALL TRUSSES TO OFFSET NOT LESS THAN 3/4" DEAD LOAD.
- ANCHOR ALL TRUSSES, JOISTS, AND RAFTERS TO SUPPORTS WITH GALVANIZED FRAMING ANCHORS CAPABLE OF RESISTING ALL REACTIONS INCLUDING UPLIFT FORCES.
- IN ADDITION TO THE "X" BRACING SHOWN ON THE CONTRACT DRAWINGS, THE CONTRACTOR SHALL PROVIDE ALL BRACING REQUIRED BY THE TRUSS MANUFACTURER.
- ROOF TRUSS DEFLECTIONS SHALL BE LIMITED TO L/180 FOR TOTAL (DEAD PLUS LIVE LOADS) AND TO L/240 FOR LIVE AND WIND LOADS.
- FLOOR TRUSS DEFLECTIONS SHALL BE LIMITED TO L/240 FOR TOTAL (DEAD PLUS LIVE LOADS) AND TO L/480 FOR LIVE LOADS.
- CONTRACTOR SHALL INSTALL TEMPORARY AND OR PERMANENT BRACING AS TRUSSES ARE ERRECTED AS REQ'D FOR SAFE ERRECTION PROCESS.

TYPICAL MECHANICAL EQUIPMENT PAD DETAIL



TYPICAL SAW CUT CONTROL JOINT DETAIL - (S.J.)
 CUT SAWN JOINTS AS SOON AS SLAB WILL SUPPORT WEIGHT OF EQUIPMENT



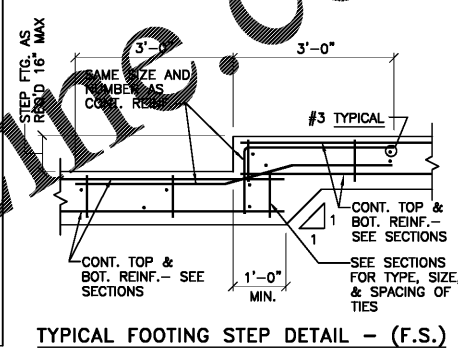
TYPICAL SLAB CONSTRUCTION JOINT DETAIL - (C.J.)

LINTEL SCHEDULE

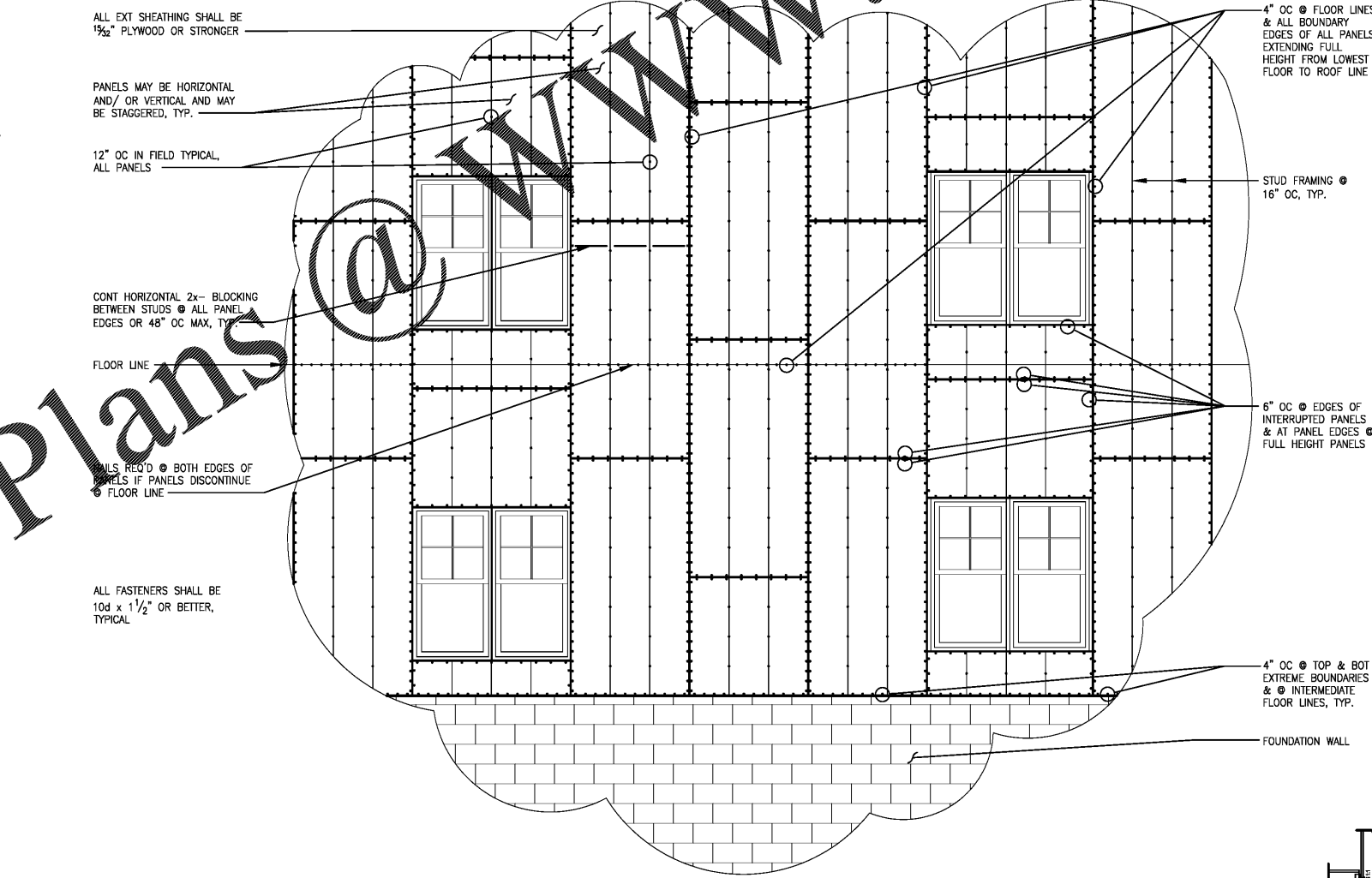
MARK OR LOCATION	MAX. SPAN	TYPE	SIZE	REINFORCEMENT	REMARKS
4" BRICK	4'-0"	STEEL ANGLE	L4x4x1/4		BEAR 8" EA. END
4" BRICK	6'-4"	STEEL ANGLE	L5x5x5/16		BEAR 12" EA. END
4" BRICK	10'-0"+	STEEL ANGLE	L5x5x3/8		BEAR 16" EA. END
WOOD STUDS	10'-0"+	LVL	2-1 3/4"x16"	2X # TOP & BOT	BEAR ON DOUBLE STUDS EACH END
WOOD STUDS	8'-4"	LVL	2-1 3/4"x14"	2X # TOP & BOT	CRIPPLE STUD FULL HT STUDS @
WOOD STUDS	6'-4"	DIMENSIONAL LUMBER	2- 2x10	2X # TOP & BOT	CRIPPLE STUD FULL HT STUDS @
WOOD STUDS	4'-0"	DIMENSIONAL LUMBER	2- 2x6	2X # TOP & BOT	CRIPPLE STUD FULL HT STUDS @

NOTES:

- BEAR ON DOUBLE STUDS EACH END, GROUND OR TO ROOF AT EXTERIOR WALLS AND PROVIDE ADDITIONAL STUD FULL HEIGHTS CONFIRM PATH OF LOADS TO FOUNDATION. CONTACT ENGINEER W/ DIFFERENT OR UNUSUAL CONDITIONS.



TYPICAL FOOTING STEP DETAIL - (F.S.)



TYPICAL EXTERIOR SHEATHING FASTENER DIAGRAM

NO SCALE

AUBURN STRUCTURAL DESIGN, INC.
 ROY H. MAYO, JR. P.E.
 2008 JANABROOK LN
 AUBURN, AL 36830
 (334) 826-8040
 engineer@auststructure.com
 www.auststructure.com



Pats Design Group, Inc.
 Architecture / Interiors
 4168 Abbots Bridge Road
 Duluth, Georgia 30097

(p) 770.814.0885
 (f) 770.814.0886

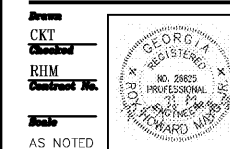
Kirby@patsdesigngroup.com

F-3 UNIT
 WISTERIA RIDGE
 Will-O-War LLC
 75 North Main Street
 Watkinsville, GA 30677

Issue & Revisions:

No.	Date	Description
1		CLARIFICATION

GENERAL NOTES, TYPICAL SECTIONS & DETAILS



AS NOTED

F3-S1.0

040119

THIS DRAWING IS THE PROPERTY OF PATS DESIGN GROUP AND IS NOT TO BE COPIED, REPRODUCED, OR IN ANY MANNER. IT IS TO BE USED ONLY FOR THE PROJECT AND THE SPECIFICALLY IDENTIFIED ITEM AND IS NOT TO BE USED IN ANY OTHER PROJECT. IT IS TO BE RETURNED UPON REQUEST.

RELEASED FOR CONSTRUCTION