



Pate Design Group, Inc.
Architecture / Interiors
4168 Abbotts Bridge Road
Duluth, Georgia 30097

(p) 770.814.0885
(f) 770.814.0886

Kirby@patedesigngroup.com

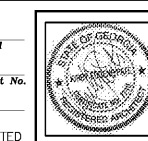
F-3 UNIT
WISTERIA RIDGE
Will-O-War LLC
75 North Main Street
Watkinsville, GA 30677

Issue & Revisions:

No.	Date	Description
1	04.01.19	CLARIFICATION

STAIR SECTIONS
+ DETAILS

Drawn
MWB
Checked
KEP
Contract No.



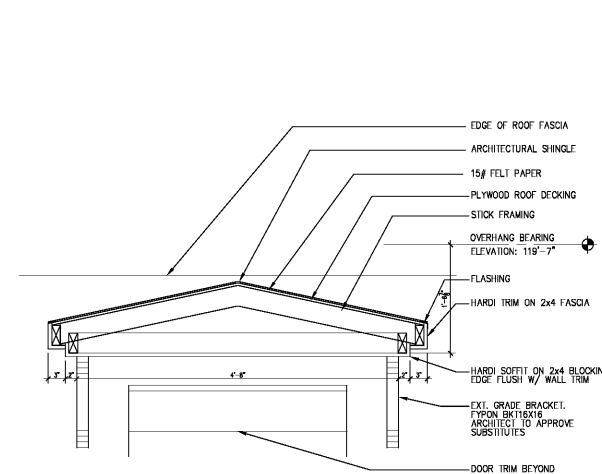
Scale
AS NOTED

A4.3

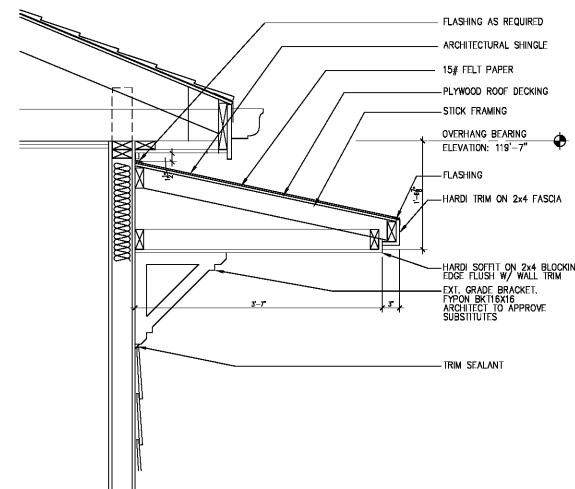
04.01.19 of sheets

THIS DRAWING IS THE PROPERTY OF PATE DESIGN GROUP AND IS NOT TO BE COPIED IN WHOLE OR IN PART. IT IS TO BE USED FOR THE PROJECT AND SITE SPECIFICALLY IDENTIFIED HEREIN AND IS NOT TO BE USED IN ANY OTHER PROJECT. IT IS TO BE RETURNED UPON REQUEST.

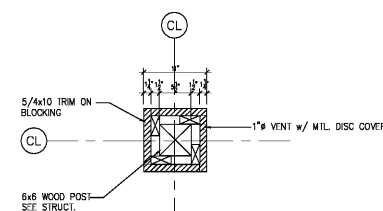
RELEASED FOR CONSTRUCTION



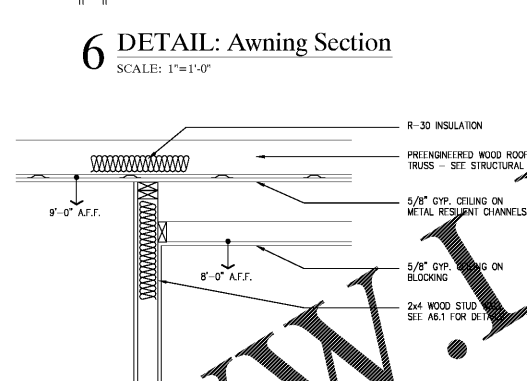
7 DETAIL: Awning
SCALE: 1"=1'-0"



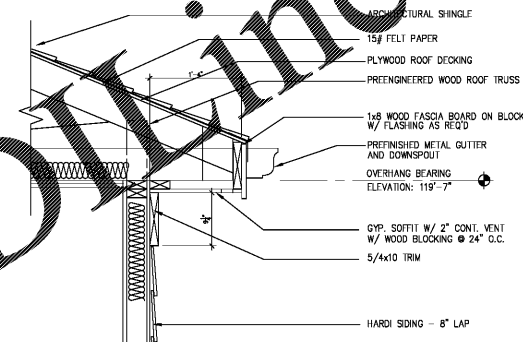
6 DETAIL: Awning Section
SCALE: 1"=1'-0"



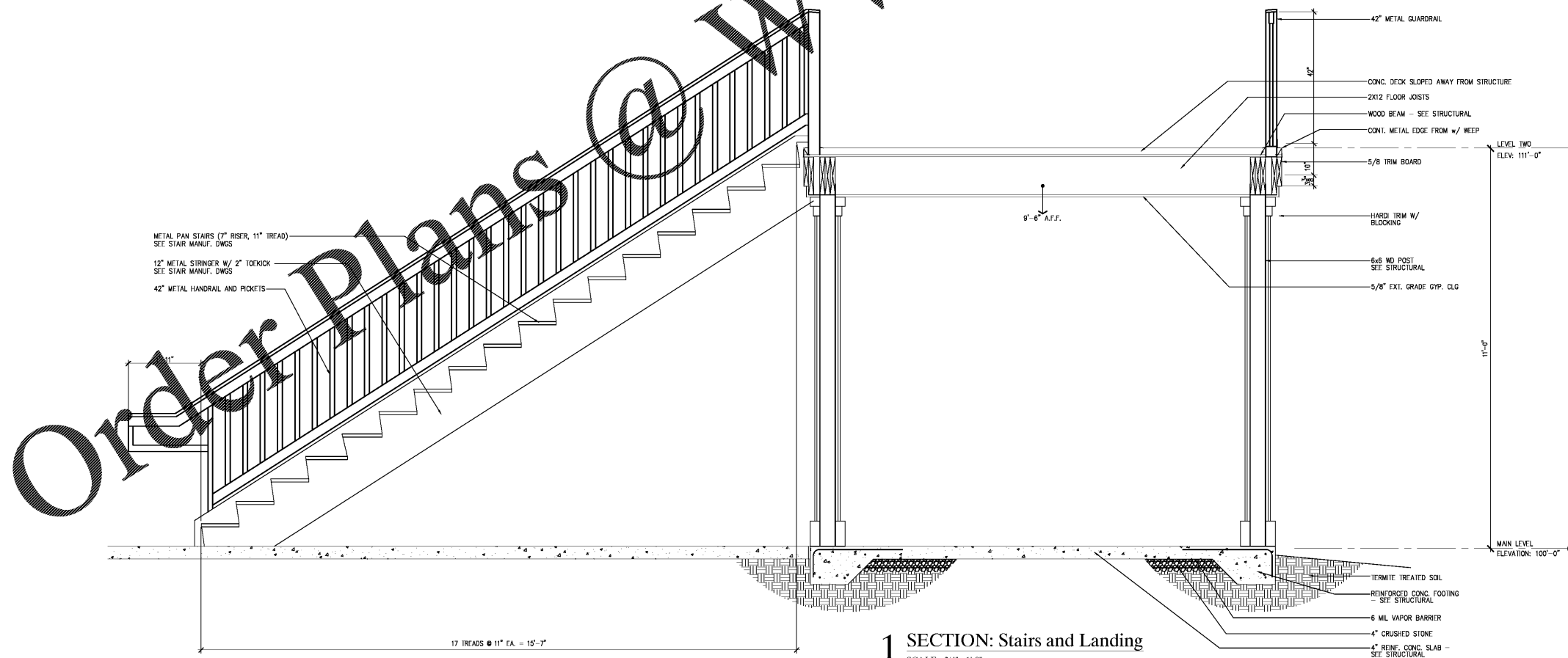
5 DETAIL: Column Wrap
SCALE: 1"=1'-0"



4 DETAIL: Gyp. Soffit
SCALE: 1"=1'-0"



3 DETAIL: Roof Overhang
SCALE: 1"=1'-0"



1 SECTION: Stairs and Landing
SCALE: 3/4"=1'-0"

Order Plans @ www.LDOnline.com