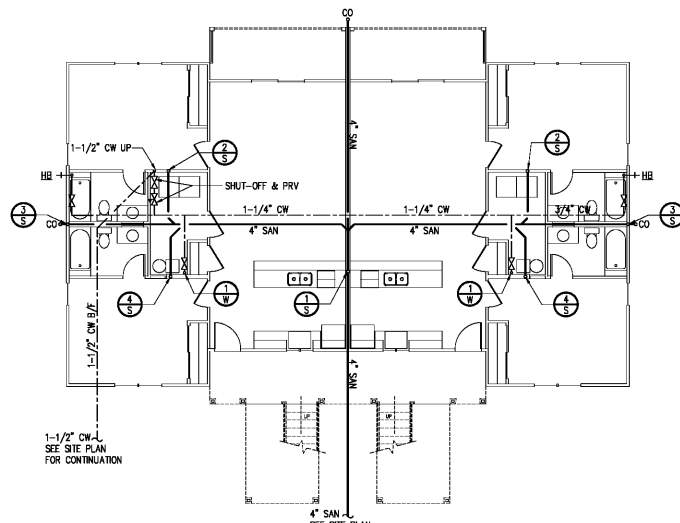
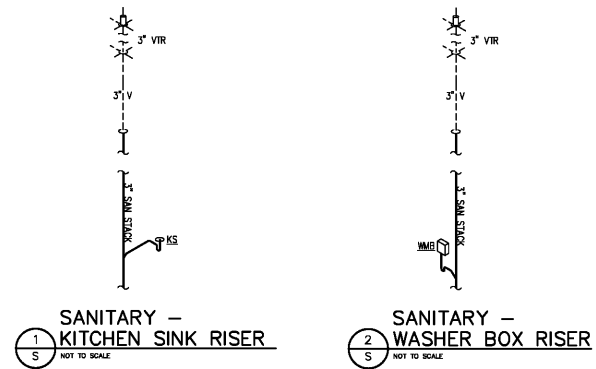


3 PLUMBING  
2ND & 3RD FLOOR PLAN  
F2-P1.1 1/8" = 1'-0"

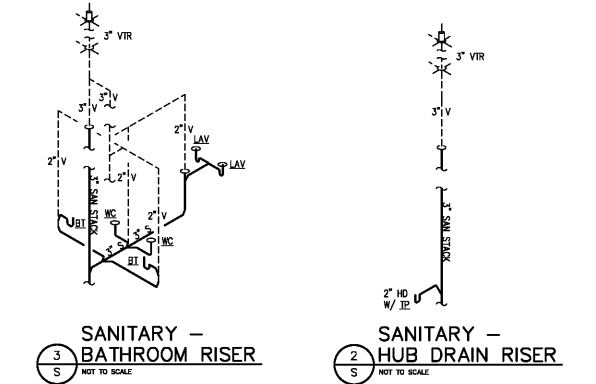


2 PLUMBING  
1ST FLOOR PLAN  
F2-P1.1 1/8" = 1'-0"



1 SANITARY -  
KITCHEN SINK RISER  
NOT TO SCALE

2 SANITARY -  
WASHER BOX RISER  
NOT TO SCALE



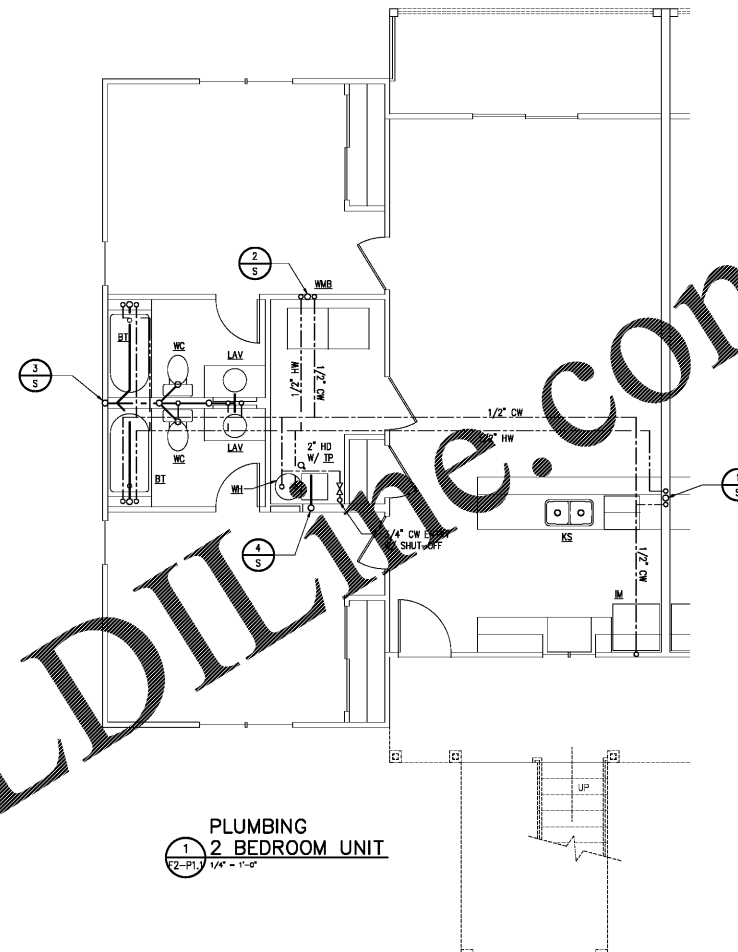
3 SANITARY -  
BATHROOM RISER  
NOT TO SCALE

4 SANITARY -  
HUB DRAIN RISER  
NOT TO SCALE

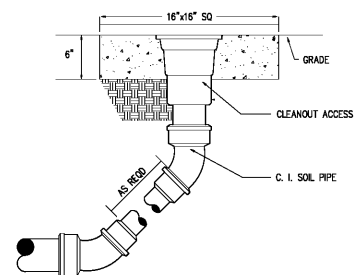


5 SANITARY RISER DIAGRAMS  
NOT TO SCALE

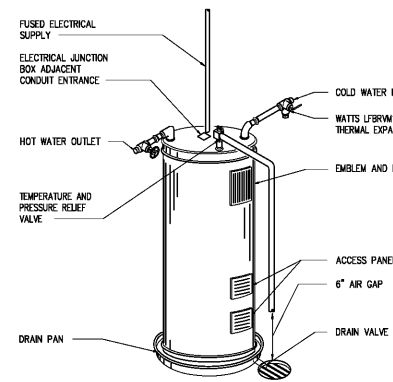
NOTE: BACK TO BACK RISERS MAY BE COMBINED



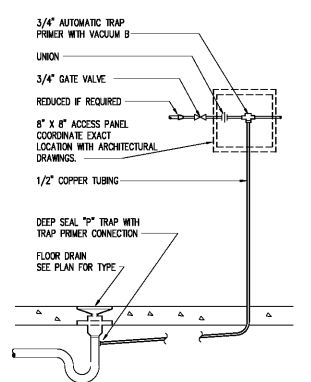
1 PLUMBING  
2 BEDROOM UNIT  
F2-P1.1 1/8" = 1'-0"



8 EXTERIOR CLEANOUT-DETAIL  
F2-P1.1 NOT TO SCALE



7 ELECTRIC WATER HEATER  
F2-P1.1 NOT TO SCALE



6 AUTOMATIC TRAP PRIMER  
F2-P1.1 NOT TO SCALE

PLUMBING FIXTURES (OR APPROVED EQUAL)

- WC Water Closet - Floor Mounted - Tank Type - American Standard 2832.028 Code 3 Flange (15" high) elongated water siver, 1.28 GPF, white vitreous china toilet, siphon jet action, close coupled tank and two bolt caps. Seat to be 5901.100 white solid plastic open front heavy duty.
- LAV Lavatory - Countertop - American Standard 0439.004 Ohio white vitreous china self-rimming lavatory, Delta 50LF-HANDF 4" center set faucet with chrome single lever handle & 0.9 GPM flow rate, McGuire 155A grid drain assembly, with 1-1/4" topplate, McGuire 8872 1-1/4" P-trap with cleanout, McGuire 170 supplies with wheel handle stops & escutcheons. Flow rate is 1.5 GPM.
- KS Kitchen Sink - Countertop - American Standard 1309.332284.073 self-rimming double bowl stainless steel sink, Delta 400LF-HDF faucet with 4331.013 basket strainer, McGuire 8872 1-1/4" C.P. P-trap with cleanout, McGuire 170 supplies with wheel handle stops & escutcheons. Flow rate is 1.5 GPM.
- BT Bath Tub - Clarion RE830 (60"x30") Delta R10000-LINIS pressure balancing valve with trim package T13H232 single lever tub and shower valve. Shower head flow rate is 1.5 GPM.
- WH Water Heater - Electric - Bradford White RE35015 with 50 gallon storage with an electric input of 4500 watts, 240 volt, single phase (or compatible) service. Unit shall have adjustable thermostat for each heating element. Tank shall be insulated with 2" thick Bergglas insulation and metal jacket. Watts LFBRVM combination ball valve & thermal expansion valve to be installed. Energy Factor is 0.95.
- HB Hose Bibb - Freezestop - Woodford Model B65 with anti-siphon vacuum breaker & self draining design.
- MMB Washing Machine Box - Water-Tite Model W4700 with soft copper tubing to drain.
- TP Trap Primer - Precision Plumbing Products "Oregon #1" with soft copper tubing to drain.
- IM Ice Maker Connection - Water-Tite W9700
- Garbage disposal - In-Sink-Erator
- Dishwasher Drain & Supply - Brass Craft 36-E11

PLUMBING NOTES AND SPECIFICATIONS

1. FURNISH ALL LABOR, MATERIAL, AND EQUIPMENT REQUIRED FOR A COMPLETE PLUMBING SYSTEM IN ACCORDANCE WITH ALL NATIONAL, STATE, AND LOCAL CODES.
2. FURNISH AND INSTALL ALL SYSTEMS OF SOIL, WASTE, AND VENT PIPING, HOT & COLD WATER PIPING, AND DRAINAGE PIPING INCLUDING ALL FITTINGS, VALVES, ETC. AS REQUIRED.
3. FURNISH AND INSTALL ALL PLUMBING FIXTURES AND EQUIPMENT AS SHOWN ON THE DRAWINGS.
4. ALL PLUMBING WORK SHALL BE DONE UNDER THE SUPERVISION OF A LICENSED AND QUALIFIED PLUMBER FOR ALL LOCAL, STATE, AND NATIONAL CODES AND TO THE COMPLETE SATISFACTION OF THE LOCAL PLUMBING INSPECTOR.
5. SUBMISSION OF A BID OR PROPOSAL SHALL BE CONSIDERED AS EVIDENCE THAT THE CONTRACTOR HAS FAMILIARIZED HIMSELF WITH THE PLANS, SPECIFICATIONS, AND BUILDING SITE. CLAIMS MADE SUBSEQUENT TO BIDS FOR MATERIALS AND/OR LABOR DUE TO DIFFICULTY SHALL NOT HAVE BEEN FORESEEN EVEN THROUGH PROPER EXAMINATION AND BEEN MADE.
6. CONTRACTOR SHALL BE RESPONSIBLE FOR ALL UTILITY CONNECTIONS AND SHALL BEAR ALL COSTS OF INSTALLING NEW WATER METER.
7. ALL MATERIALS SHALL BE NEW, CLEAN, AND WITHOUT DEFECTS. ANY DEFECTIVE MATERIALS SHALL BE REMOVED FROM THE JOB SITE.
8. ALL PLUMBING PIPING SHALL BE CONCEALED WITHIN THE BUILDING STRUCTURE AND ABOVE DROP CEILING.
9. ALL HOT AND COLD WATER PIPING SHALL BE COPPER TYPE "L".
10. ALL COPPER DOMESTIC PIPING SHALL HAVE SOLDER JOINTS, 95-5 NO-LEAD SOLDER, AND SUPPORTED ADEQUATELY FROM STRUCTURE WITH SPLIT RING HANGERS.
11. COLD WATER PIPING IN UNCONDITIONED SPACES AND ALL HOT WATER PIPING SHALL BE INSULATED WITH 1/2" THICK PRE-FORMED FOAM PIPE INSULATION BY MOCOLOCK. INSULATE FITTINGS WITH MITERED SECTIONS.
12. SANITARY, WASTE, AND VENT PIPING ABOVE GRADE SHALL BE NON-FERROUS CAST IRON OR ASTM D2466-91 PVC SCHEDULE 40 PIPE.
13. CLEANOUT PLUGS SHALL BE INSTALLED IN ACCORDANCE WITH PLUMBING CODE REQUIREMENTS AT EACH CHANGE IN DIRECTION & AT THE BASE OF EACH SANITARY STACK. CLEANOUTS SHALL BE PLACED IN READILY ACCESSIBLE LOCATIONS.
14. PROVIDE VALVES ON DOMESTIC WATER SYSTEM TO CUT-OFF WATER SERVICE MAIN FROM THE BUILDING, AT EACH WALL HYDRANT, AND TO ISOLATE EACH FLOOR IN THE BUILDING.
15. PROVIDE BACKFLOW PREVENTER AND SHUT-OFF VALVES AT WATER METER, AS SHOWN, WATTS SERIES 009 WITH DRAIN TO OUTSIDE. PROVIDE WATER PRESSURE REDUCING VALVE WATTS USB. (SET AT 60 PSIG).
17. INSULATE ALL EXPOSED PIPING UNDER HANDICAPPED LAVATOIRES WITH TRU-BRO.
18. FIRESTOPS SHALL BE PROSET "FIRESTOP PENETRATORS."
19. PROVIDE WATTS MODEL 15 WATER HAMMER ARRESTORS WHERE QUICK CLOSING VALVES ARE UTILIZED.
20. UPON COMPLETION OF THE WORK, TEST ALL PIPING SYSTEMS AS FOLLOWS:
  - A. DRAINAGE SYSTEMS INCLUDING SANITARY SEWERS, ROOF DRAINAGE, AND SANITARY VENTS: FILL LOW POINTS OF SYSTEM AND FILL WITH WATER TO UPPERMOST OUTLET UP TO TWELVE (12) FEET HIGH, WHICHEVER IS LOWER. LET SYSTEM STAND FULL OF WATER WITH NO INDICATIONS OF LEAKS.
  - B. DOMESTIC HOT AND COLD WATER: 150 PSIG HYDROSTATIC TEST. HOLD HYDROSTATIC TESTS FOR A MINIMUM OF EIGHT (8) HOURS WITHOUT LOSS OF PRESSURE. HOLD AIR TESTS FOR A MINIMUM OF ONE HOUR WITHOUT SIGNIFICANT LOSS OF PRESSURE. WITH APPROVAL OF ARCHITECT, AIR TESTING MAY BE SUBSTITUTED FOR HYDROSTATIC TESTING IN FREEZING WEATHER.
21. RETESTING: RETEST PIPING FOLLOWING INITIAL TESTS FOLLOWING CORRECTION OF DEFECTIVE WORK. REQUIREMENTS OF INITIAL TESTS SHALL APPLY.

Original Plans @ WWW.LDILLINE.COM

**Pate Design Group, Inc.**  
Architecture / Interiors  
4168 Abbots Bridge Road  
Duluth, Georgia 30097  
(P) 770.814.0885  
(F) 770.814.0886  
Kirby@patedesigngroup.com



**F-2 UNIT**  
**WISTERIA RIDGE**  
**Will-O-War Ilc**  
**75 north Main Street**  
**Watkinsville, GA 30677**

Issue & Revisions:

No.	Date	Description

Drawn: RK  
Checked: RK  
Contract No. 07-03  
Scale: AS NOTED  
F2-P1.1  
of sheets

THIS DRAWING IS THE PROPERTY OF PATE DESIGN GROUP AND IS NOT TO BE COPIED, REPRODUCED, OR IN ANY MANNER, IT IS TO BE USED FOR THE PROJECT AND THE SPECIFICALLY IDENTIFIED DESIGN AND IS NOT TO BE USED IN ANY OTHER PROJECT. IT IS TO BE RETURNED UPON REQUEST.