



Pate Design Group, Inc.  
Architecture / Interiors  
4168 Abbots Bridge Road  
Duluth, Georgia 30097

(p) 770.814.0885  
(f) 770.814.0886  
Kirby@patedesigngroup.com

F-2 UNIT  
WISTERIA RIDGE  
Will-O-War LLC  
75 North Main Street  
Watkinsville, GA 30677

Issue & Revisions:

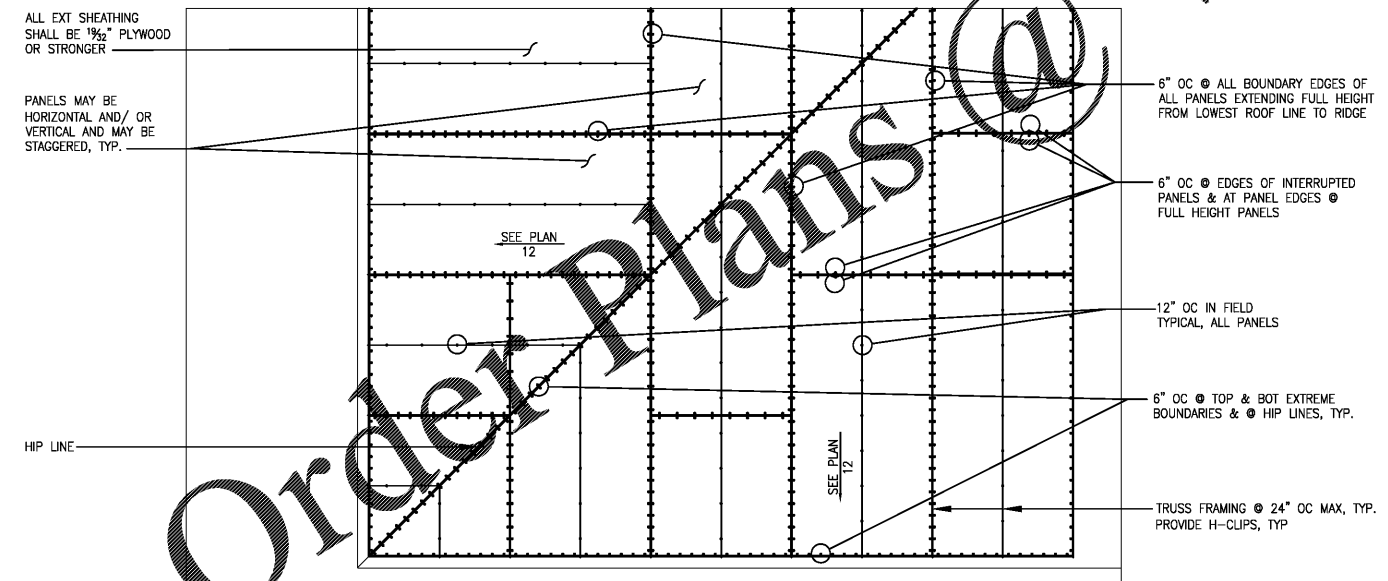
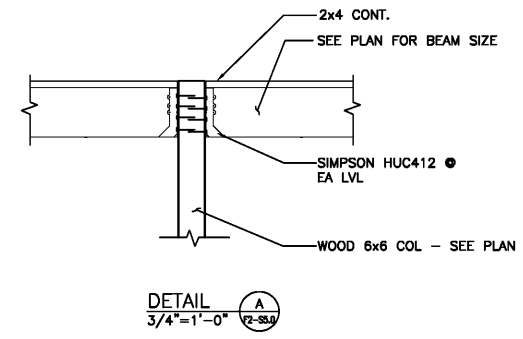
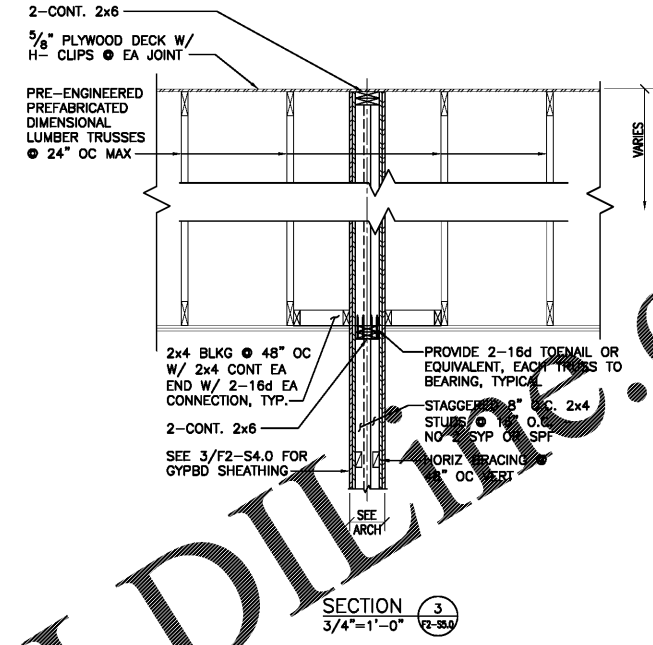
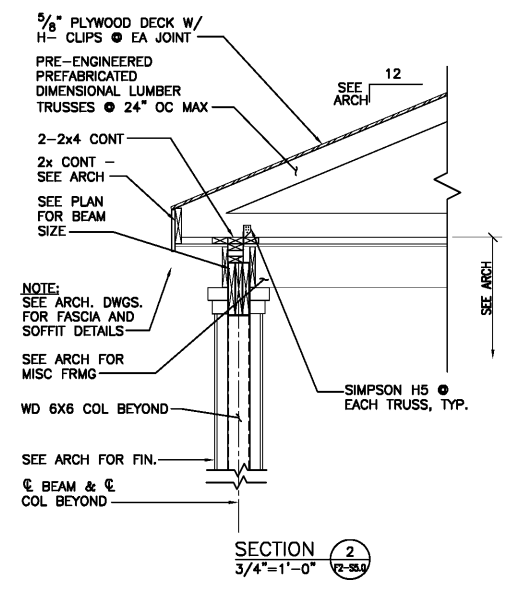
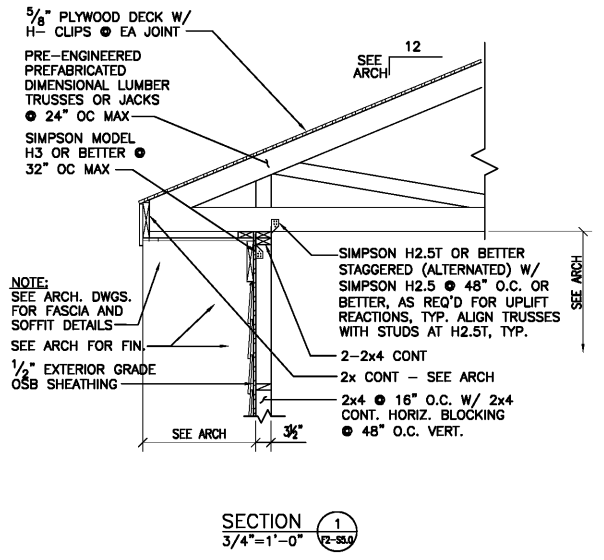
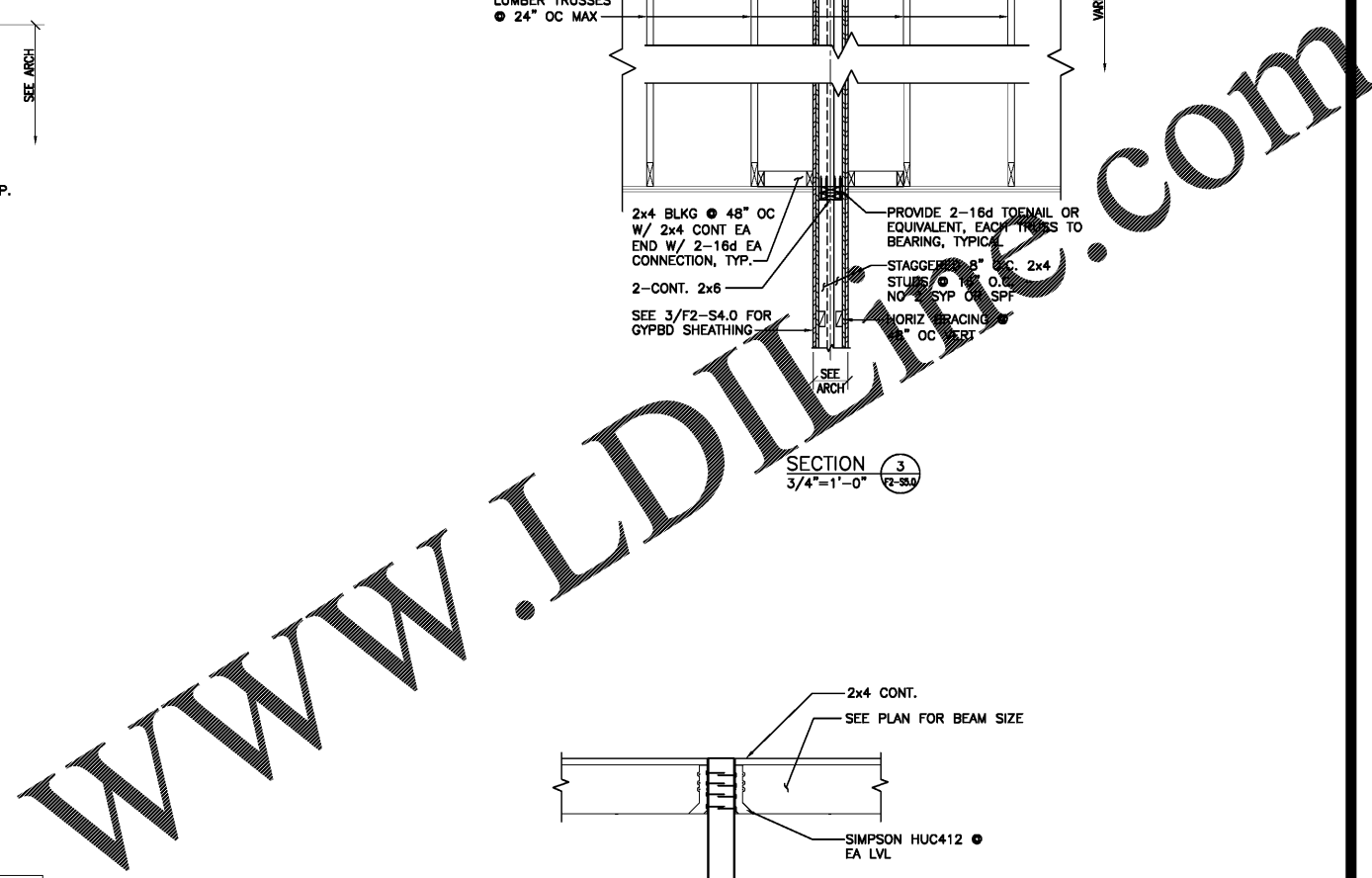
No.	Date	Description
1	08.19	CLARIFICATION

ROOF FRAMING  
SECTIONS &  
DETAILS

AS NOTED



F2-S5.0



NOTE: DECKING SHEETS MAY BE ORIENTED WITH LONG DIMENSION PARALLEL TO OR PERPENDICULAR TO MAIN FRAMING MEMBERS

AUBURN STRUCTURAL DESIGN, INC.  
ROY H. MAYO, JR. P.E.  
2008 JANABROOKE LN  
AUBURN, AL 36820  
(334) 826-8040  
engineer@astructure.com  
www.astructure.com