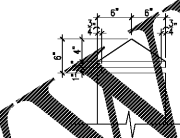
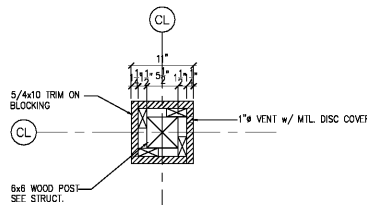


Order Plans @ www.LDILine.com

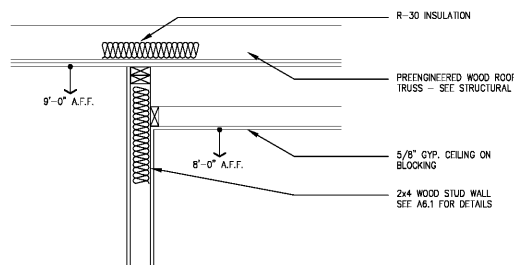


DETAIL: Column Cap
SCALE: 1"=1'-0"



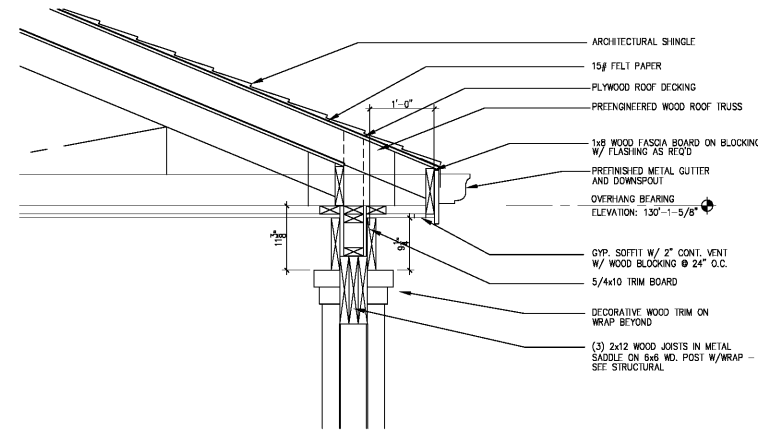
5 DETAIL: Column Wrap
SCALE: 1"=1'-0"

NOTE: 1 PROVIDE 1" VENT DISC TOP/BOTTOM TWO SIDES EACH COLUMN.

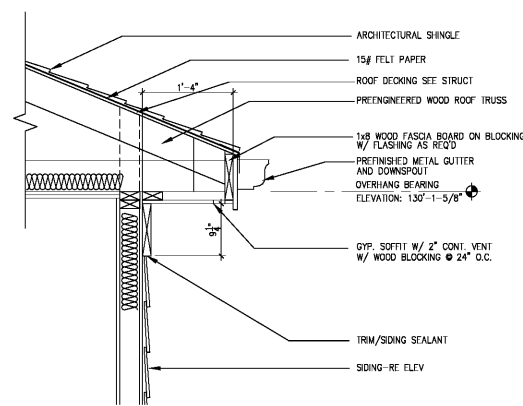


4 DETAIL: Ceiling Soffit
SCALE: 1"=1'-0"

3 NOT USED
SCALE: 1/2"=1'-0"



2 DETAIL: Roof Overhang @ Stair
SCALE: 1"=1'-0"



1 DETAIL: Roof Overhang
SCALE: 1"=1'-0"

*NOTE: OPTIONAL SOFFIT TO BE HARRISOFFIT W/ PERF.



Pate Design Group, Inc.
Architecture / Interiors
4168 Abbotts Bridge Road
Duluth, Georgia 30097
(p) 770.814.0885
(f) 770.814.0886
Kirby@patedesigngroup.com

F-2 UNIT
WISTERIA RIDGE
Will-O-War LLC
75 North Main Street
Watkinsville, GA 30677

Issue & Revisions:

No.	Date	Description
1	04.01.19	CLARIFICATION

PORCH / OVERHANG DETAILS

Drawn: MWB
Checked: KEP
Contract No: 07-03
Scale: AS NOTED

030519
040119
A5.1
of sheets

THIS DRAWING IS THE PROPERTY OF PATE DESIGN GROUP AND IS NOT TO BE COPIED IN WHOLE OR IN PART. IT IS TO BE USED FOR THE PROJECT AND SITE SPECIFICALLY IDENTIFIED HEREIN AND IS NOT TO BE USED IN ANY OTHER PROJECT. IT IS TO BE RETURNED UPON REQUEST.

RELEASED FOR CONSTRUCTION