



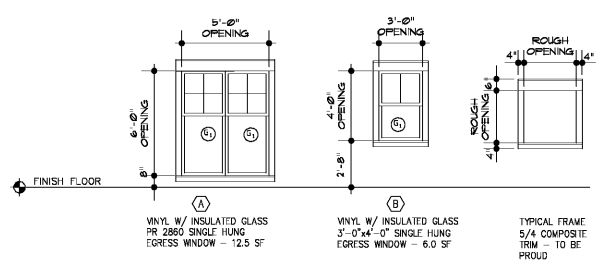
Pate Design Group, Inc.  
Architecture / Interiors

4158 Abbotts Bridge Road  
Duluth, Georgia 30097

(p) 770.814.0885  
(f) 770.814.0886

Kirby@patedesigngroup.com

WINDOW SCHEDULE													
MARK	WINDOW TYPES			NO. REQUIRED / SIZE (ROUGH OPENING)	FRAME TYPES			DETAILS			HWR SET	GLAZ. TYPE	REMARKS
	TYPE	MAT'L	LABEL		TYPE	MAT'L	LABEL	HEAD	JAMB	SILL			
A	A	VNYL	-	5'-0" x 5'-0"	SI	VNYL	-	3/A7.1	2/A7.1	1/A7.1	-	-	SINGLE HUNG
B	B	VNYL	-	3'-0" x 5'-0"	SI	VNYL	-	3/A7.1	2/A7.1	1/A7.1	-	-	SINGLE HUNG



GLAZING SCHEDULE	
①	FACTORY GLAZED UNIT, 2 LAYERS OF CLEAR FLOAT GLASS W/ 1/2" AIR SPACE, TOTAL THICKNESS - 3/4" +/- COLOR: SOLAR GREY PPG
	MINIMUM U VALUE = .85
	MAXIMUM SHGC = 0.40

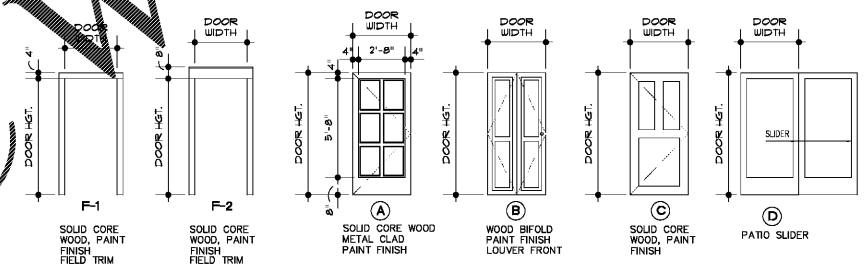
NOTES:  
CONTRACTOR TO GET ARCHITECT AND OWNER APPROVAL FOR SUBSTITUTIONS.  
ANY OPERATIONAL WINDOWS TO BE SCREENED WITH SCREENING MATERIAL OF NOT LESS THAN 16 MESH TO THE INCH.  
ALL EGRESS WINDOWS TO HAVE MINIMUM 5.7 SF CLEARANCE.

SCHEDULE OF INTERIOR FINISHES - TYPICAL UNIT PLAN												
ROOM NUMBER	SPACE	FLOOR	BASE	WALLS				CEILING		DOOR	FRAME	REMARKS
				NORTH	EAST	SOUTH	WEST	MATERIAL	HEIGHT			
101	DEN	C1	WD/PT	PT	PT	PT	PT	GYP	9'-0"	WD/PT	HM/PT	
102	CLOSET	C1	WD/PT	PT	PT	PT	PT	GYP	8'-0"	WD/PT	HM/PT	
103	MECHANICAL	VNYL	WD/PT	PT	PT	PT	PT	GYP	8'-0"	WD/PT	HM/PT	
104	WASHER/DRYER	VNYL	WD/PT	PT	PT	PT	PT	GYP	8'-0"	WD/PT	HM/PT	
105	KITCHEN	VNYL	WD/PT	PT	PT	PT	PT	GYP	9'-0"	WD/PT	HM/PT	
106	BATH	VNYL	WD/PT	PT	PT	PT	PT	GYP	8'-0"	WD/PT	HM/PT	
107	BEDROOM	C1	WD/PT	PT	PT	PT	PT	GYP	9'-0"	WD/PT	HM/PT	
108	CLOSET	C1	WD/PT	PT	PT	PT	PT	GYP	8'-0"	WD/PT	HM/PT	

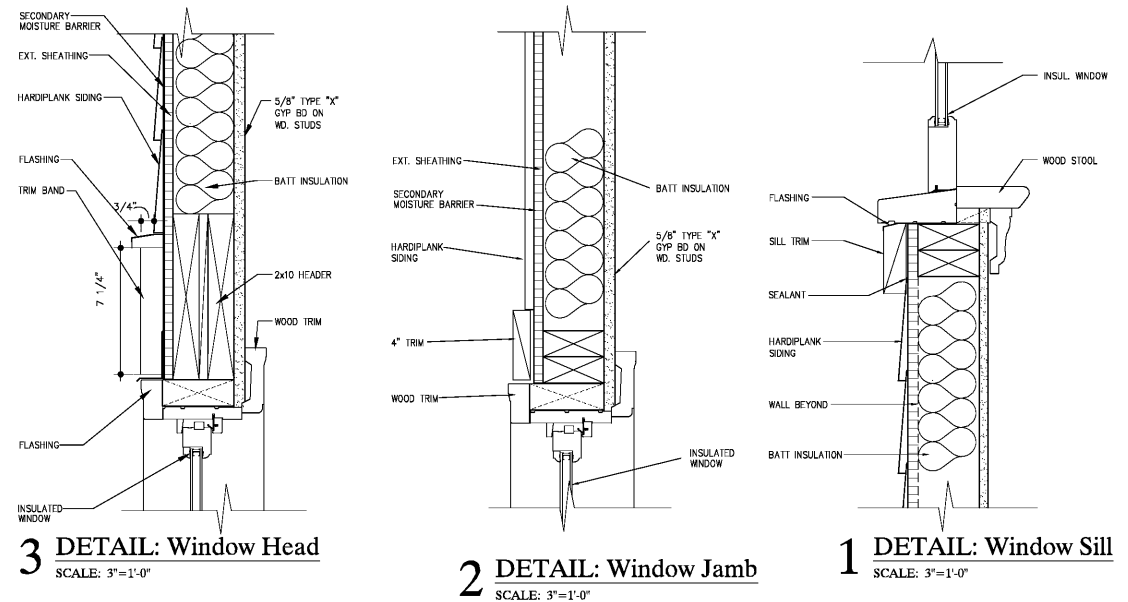
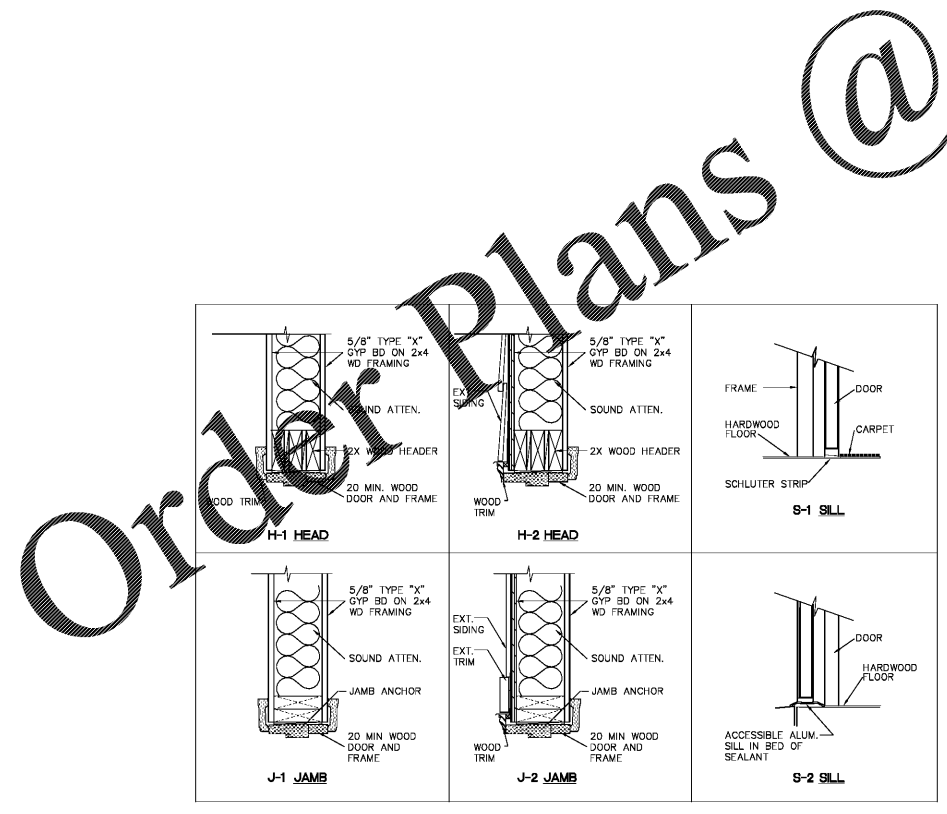
**LEGEND**  
TBD = TO BE DETERMINED  
VCB = VINYL COVE BASE  
VWC = VINYL WALL COVERING  
HM = HOLLOW METAL  
PT = PAINT  
GWB = GYPSUM BOARD  
ACT = ACCUSTICAL CEILING TILE

**NOTES**  
1.) VERIFY COLOR SELECTION WITH OWNER PRIOR TO PURCHASE/ORDER OF MATERIALS.  
2.) ARCHITECT TO APPROVE SUBMITTALS OF ALL FINISH MATERIALS PRIOR TO ORDER.  
3.) ALL FINISH MATERIALS TO BE INSTALLED IN ACCORDANCE WITH MANUFACTURER'S PRINTED INSTRUCTIONS.  
4.) PROVIDE PROPER TRANSITION STRIPS BETWEEN FLOORING MATERIALS. ARCHITECT TO APPROVE.  
5.) PAINT TO BE DURABLE, SEMI-GLOSS, SCRUBBABLE FLAT.  
6.) FINISH SCHEDULE FOR TYPICAL UNIT PLAN. APPLY TO ALL UNITS.

DOOR SCHEDULE - TYPICAL UNIT PLAN															
MARK	ROOM NAME	ROOM NO	DOOR and WINDOW TYPES			NO. REQUIRED / SIZE	FRAME TYPES			DETAILS	SILL DETAIL	HWR SET	GLAZ. TYPE	REMARKS	
			TYPE	MAT'L	LABEL		TYPE	MAT'L	LABEL						
101	DEN	101	WD	-	-	3'-0" x 6'-8" x 1-3/4"	F-2	WD	-	H-2	J-2	S-2	-	-	MTL CLAD, EXT. GRADE
102	CLOSET	102	WD	-	-	2'-0" x 6'-8" x 1-3/4"	F-1	WD	-	H-1	J-1	S-1	-	-	-
103	MECHANICAL	103	C	-	-	PR 2'-0" x 6'-8" x 1-3/4"	F-1	WD	-	H-1	J-1	S-1	-	-	-
104	WASHER/DRYER	104	B	WD	-	PR 2'-6" x 6'-8" x 1-3/4"	F-1	WD	-	H-1	J-1	S-1	-	-	BIFOLD DOOR, TRACK MTD
105	BATH	105	B	WD	-	2'-10" x 6'-8" x 1-3/4"	F-1	WD	-	H-1	J-1	S-1	-	-	-
106	BEDROOM	106	C	WD	-	2'-10" x 6'-8" x 1-3/4"	F-1	WD	-	H-1	J-1	S-1	-	-	-
107	CLOSET	107	C	WD	-	2'-6" x 6'-8" x 1-3/4"	F-1	WD	-	H-1	J-1	S-1	-	-	-
108	KITCHEN	108	D	WD	-	PR 3'-0" x 6'-8" x 1-3/4"	F-2	WD	-	H-2	J-2	S-2	-	-	PATIO SLIDER / MTL CLAD



**DOOR NOTES:**  
1.) ALL INTERIOR TENANT DOORS TO BE PAINT GRADE.  
2.) ALL INTERIOR TENANT DOORS TO BE PREHUNG WOOD FRAME, U.N.O.  
3.) DOOR SCHEDULE FOR TYPICAL UNIT PLAN. APPLY TO ALL UNITS.



**3 DETAIL: Window Head** SCALE: 3"=1'-0"  
**2 DETAIL: Window Jamb** SCALE: 3"=1'-0"  
**1 DETAIL: Window Sill** SCALE: 3"=1'-0"

Issue & Revisions:

No.	Date	Description
1	04/01/19	CLARIFICATION

DOOR + FINISH SCHEDULES, NOTES + DETAILS

Drawn: MWB  
Checked: KEP  
Contract No.:  
Scale: AS NOTED



040119 of sheets

THIS DRAWING IS THE PROPERTY OF PATE DESIGN GROUP AND IS NOT TO BE COPIED OR REPRODUCED IN ANY MANNER. IT IS TO BE USED ONLY FOR THE PROJECT AND SITE SPECIFICALLY IDENTIFIED HEREIN AND IS NOT TO BE USED IN ANY OTHER PROJECT. IT IS TO BE RETURNED UPON REQUEST.

Order Plans @

WWW.DIMLINE.COM

F-1 UNIT  
WISTERIA RIDGE  
Will-O-War LLC  
75 North Main Street  
Watkinsville, GA 30677

RELEASED FOR CONSTRUCTION