

THE WILSON GROUP
- ARCHITECTS -

PO Box 5510 Charlotte, NC 28299
704-331-9747 • www.twgarchitects.com

PROJECT MANAGER / CIVIL ENGINEER
TALBERT & BRIGHT

4810 SHELLEY DRIVE
WILMINGTON, NC 28405
(910) 763-5350
FIRM NO.: C-0713

STRUCTURAL ENGINEER
STEWART

101 N. TRYON ST., SUITE 1400
CHARLOTTE, NC 28202
(704) 334-7925
FIRM NO.: C-1051

FIRE PROTECTION, PLUMBING, MECHANICAL,
& ELECTRICAL ENGINEER
SABER ENGINEERING

2923 S TRYON ST #200
CHARLOTTE, NC 28203
(704) 373-0068

WATER & SEWER ENGINEER
MCGILL ASSOCIATES

712 S VILLAGE ROAD SW, SUITE 103
SHALLOTTE, NC 28470
(910) 765-5072

COPYRIGHT © 2019
THE WILSON GROUP ARCHITECTS
ALL RIGHTS RESERVED
PRINTED OR ELECTRONIC DRAWINGS AND
DOCUMENTATION MAY NOT BE REPRODUCED
IN ANY FORM WITHOUT WRITTEN PERMISSION
FROM THE WILSON GROUP ARCHITECTS

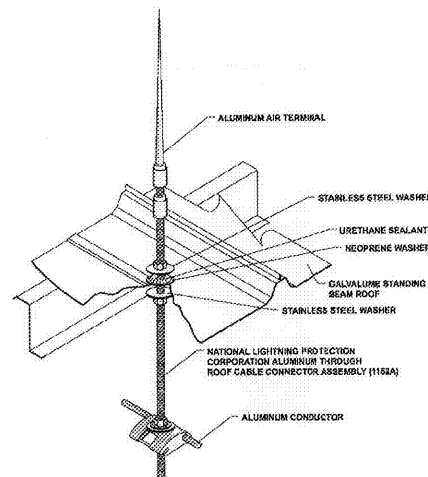
REVISIONS

DATE 8/2/2019
PROJECT NUMBER 9217-000

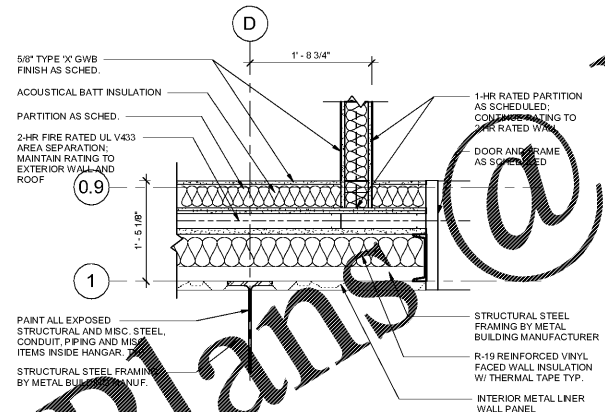
SHEET TITLE
ARCHITECTURAL
DETAILS

SHEET NUMBER
A-501

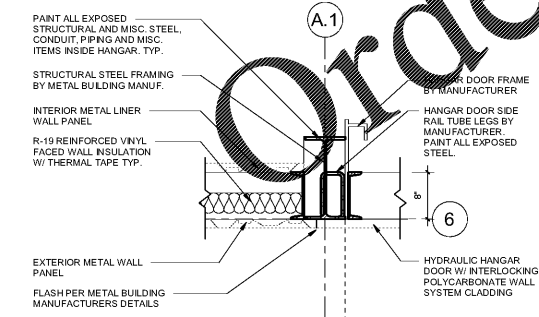
WWW.LDILine.com



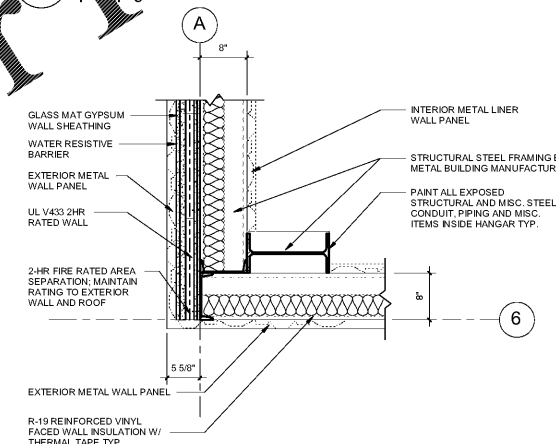
6 LIGHTNING ARREST DETAIL
1" = 1'-0"



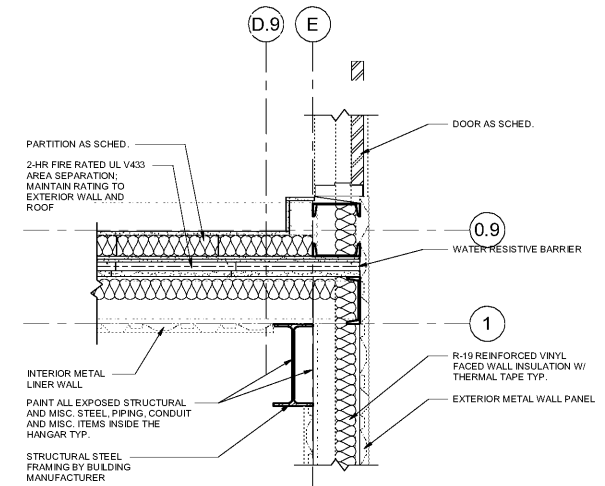
7 PLAN DETAIL
1" = 1'-0"



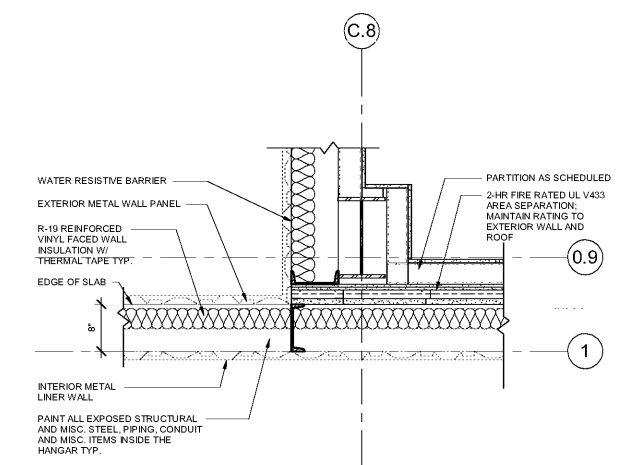
1 PLAN DETAIL
1" = 1'-0"



2 PLAN DETAIL
1" = 1'-0"



3 PLAN DETAIL
1" = 1'-0"



4 PLAN DETAIL
1" = 1'-0"