



NEW CORPORATE HANGAR

4005 AIRPORT ROAD
SOUTHPORT, NC 28461



PO Box 5510 Charlotte, NC 28299
704-331-9747 • www.twgarchitects.com

PROJECT MANAGER / CIVIL ENGINEER
TALBERT & BRIGHT

4810 SHELLEY DRIVE
WILMINGTON, NC 28405
(910) 763-5350
FIRM NO.: C-0713

STRUCTURAL ENGINEER
STEWART

101 N. TRYON ST., SUITE 1400
CHARLOTTE, NC 28202
(704) 334-7925
FIRM NO.: C-1051

FIRE PROTECTION, PLUMBING, MECHANICAL,
& ELECTRICAL ENGINEER
SABER ENGINEERING

2923 S. TRYON ST. #200
CHARLOTTE, NC 28203
(704) 373-0068

WATER & SEWER ENGINEER
McGILL ASSOCIATES

712 S VILLAGE ROAD SW, SUITE 103
SHALLOTTE, NC 28470
(910) 766-9072

COPYRIGHT © 2019
THE WILSON GROUP ARCHITECTS
ALL RIGHTS RESERVED
PRINTED OR ELECTRONIC DRAWINGS AND
DOCUMENTATION MAY NOT BE REPRODUCED
IN ANY FORM WITHOUT WRITTEN PERMISSION
FROM THE WILSON GROUP ARCHITECTS

REVISIONS

DATE 8/2/2019
PROJECT NUMBER 9217-000

SHEET TITLE
LIFE SAFETY PLAN

SHEET NUMBER
LS-101

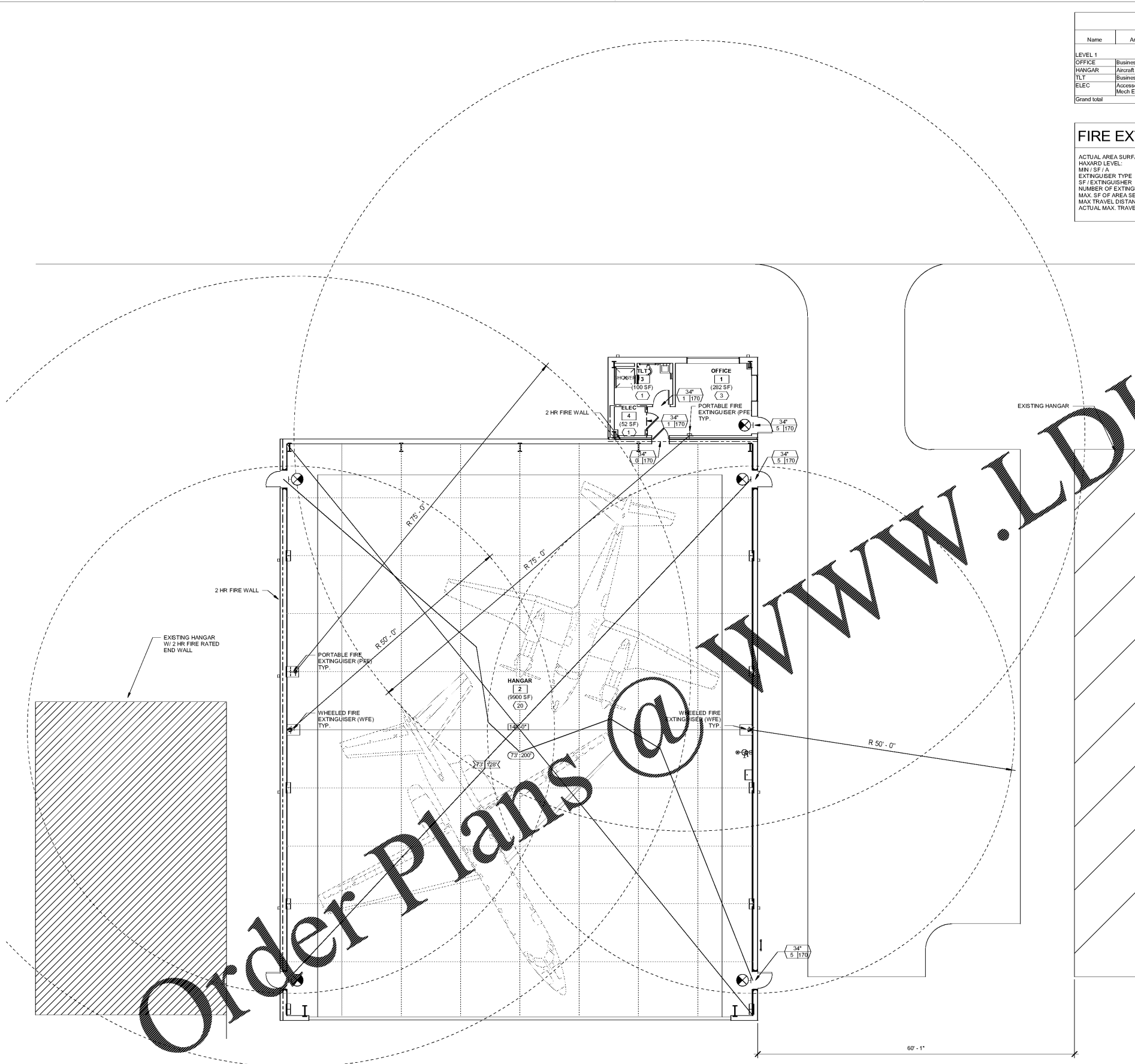
LIFE SAFETY AREA SCHEDULE							
Name	Area OCC Type	Area	Area Per Occupant	Area Per Occupant	Calculated Occupant Load	Inches Per Occupant, Other	Other Egress Width Required
LEVEL 1							
OFFICE	Business Areas (gross)	282 SF	100 SF	100 SF	3	0.2	0.6
HANGAR	Aircraft Hangars (gross)	9900 SF	500 SF	500 SF	20	0.2	4.0
TLT	Business Areas (gross)	100 SF	100 SF	100 SF	1	0.2	0.2
ELEC	Accessory Storage Areas, Mech Equip Room (gross)	52 SF	300 SF	300 SF	1	0.2	0.2
Grand total		10334 SF			25		

FIRE EXT. LEGEND HANGAR	
ACTUAL AREA SURFACED BY FEC	9,900 SF
HAZARD LEVEL:	ORDINARY CLASS ABC
MIN / SF / A	1,500 SF
EXTINGUISHER TYPE	WFE (4A:55B:C)
SF / EXTINGUISHER	6,000 SF
NUMBER OF EXTINGUISHERS	2 WFE
MAX. SF OF AREA SERVED	12,000 SF
MAX TRAVEL DISTANCE	50' SF
ACTUAL MAX. TRAVEL DISTANCE	50' SF

FIRE EXT. LEGEND OFFICE	
ACTUAL AREA SURFACED BY FEC	434 SF
HAZARD LEVEL:	ORDINARY CLASS ABC
MIN / SF / A	1,500 SF
EXTINGUISHER TYPE	WFE (4A:55B:C)
SF / EXTINGUISHER	3,000 SF
NUMBER OF EXTINGUISHERS	2 PFE
MAX. SF OF AREA SERVED	6,000 SF
MAX TRAVEL DISTANCE	75' SF
ACTUAL MAX. TRAVEL DISTANCE	75' SF

LIFE SAFETY PLAN LEGEND	
ROOM TAG	ROOM NAME, ROOM AREA, NUMBER OF OCCUPANTS
EX. WIDTH	INCHES CLEAR, ACTUAL OCCUPANTS
MINIMUM OCCUPANT	X
DISTANCE BETWEEN EXITS	REQUIRED X' X' ACTUAL
EXIT ACCESS TRAVEL DISTANCE	ALLOWABLE X' X' ACTUAL
EXIT	COORDINATE LOCATIONS AND REQUIREMENTS W/ ELEC DRAWINGS
FEC	4A:55B:C FIRE EXTINGUISHER IN FIRE EXTINGUISHER CABINET 4A:50B:C WALL-MOUNTED FIRE EXTINGUISHER

LEGEND	
---	2 HOUR FIRE RATED WALL
---	1 HOUR FIRE RATED BARRIER



1 LEVEL 1
1/8" = 1'-0"

60' - 1"