

THE WILSON GROUP  
- ARCHITECTS -  
PO Box 5510 Charlotte, NC 28299  
704-331-9747 - www.twgarchitects.com

PROJECT MANAGER / CIVIL ENGINEER  
TALBERT & BRIGHT  
4810 SHELLEY DRIVE  
WILMINGTON, NC 28405  
(910) 763-5350  
FIRM NO.: C-0713

STRUCTURAL ENGINEER  
STEWART  
101 N. TRYON ST., SUITE 1400  
CHARLOTTE, NC 28202  
(704) 254-7925  
FIRM NO.: C-1051

FIRE PROTECTION, PLUMBING, MECHANICAL,  
& ELECTRICAL ENGINEER  
SABER ENGINEERING  
2923 S. TRYON ST. #200  
CHARLOTTE, NC 28203  
(704) 373-0068

WATER & SEWER ENGINEER  
MCGILL ASSOCIATES  
712 S. VILLAGE ROAD SW, SUITE 103  
SHALLOTTE, NC 28470  
(910) 768-9072

COPYRIGHT © 2019  
THE WILSON GROUP ARCHITECTS  
ALL RIGHTS RESERVED  
PRINTED OR ELECTRONIC DRAWINGS AND  
DOCUMENTATION MAY NOT BE REPRODUCED  
IN ANY FORM WITHOUT WRITTEN PERMISSION  
FROM THE WILSON GROUP ARCHITECTS

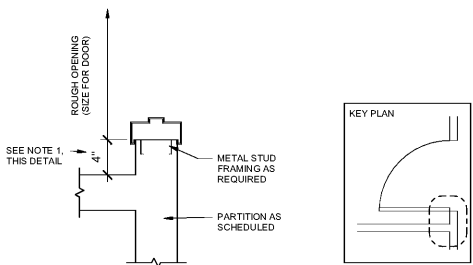
REVISIONS

DATE 8/2/2019  
PROJECT NUMBER 9217-000

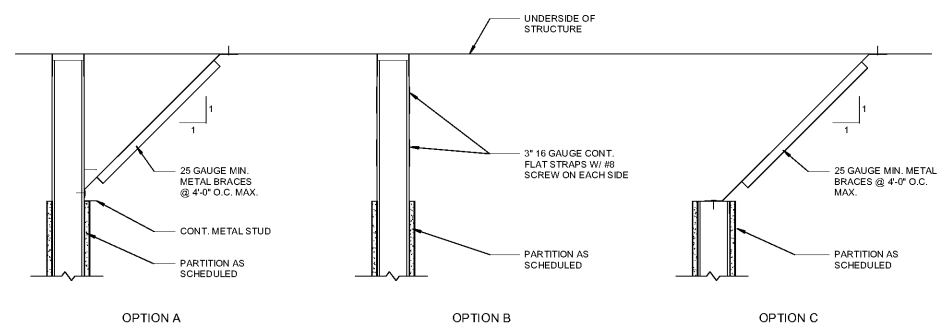
SHEET TITLE  
PARTITION  
TYPES, NOTES,  
AND TYPICAL  
DETAILS

SHEET NUMBER  
G-005

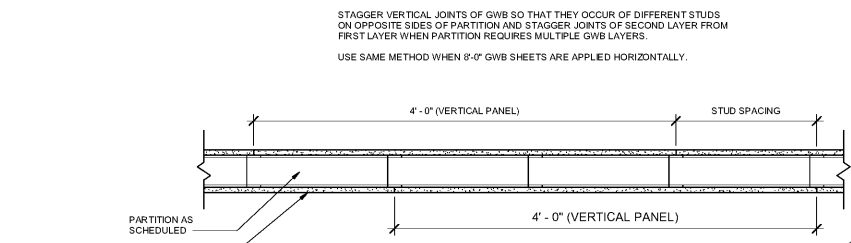
NOTES:  
1. GC TO COORDINATE JAMB DEPTH WITH WIDTH OF TRIM.  
2. GC TO COORDINATE DOOR LOCATION W/ JAMB DETAIL, TYP.



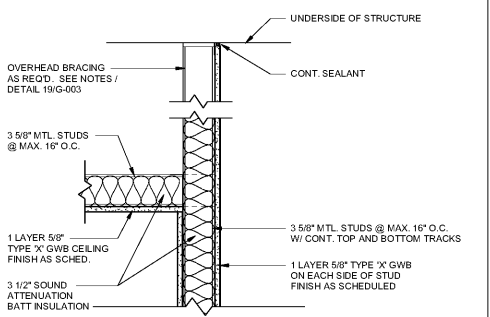
16 TYPICAL DOOR OFFSET DETAIL  
1 1/2" = 1'-0"



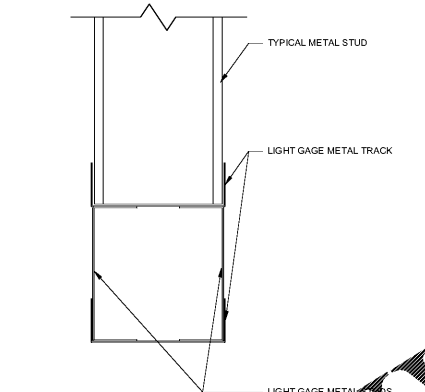
17 ABOVE-CEILING STUD TERMINATION DETAILS  
1 1/2" = 1'-0"



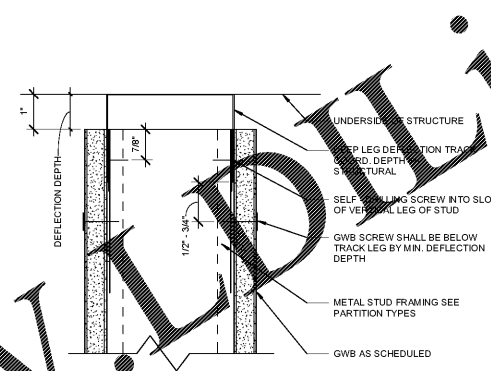
19 TYPICAL FRAMING LAYOUT  
1 1/2" = 1'-0"



12 TYPICAL GWB CEILING DETAIL  
1 1/2" = 1'-0"

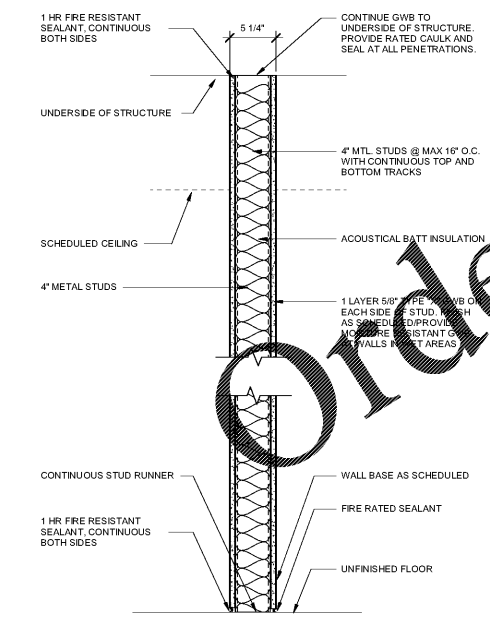


13 TYPICAL STUD HEADER DETAIL  
6" = 1'-0"

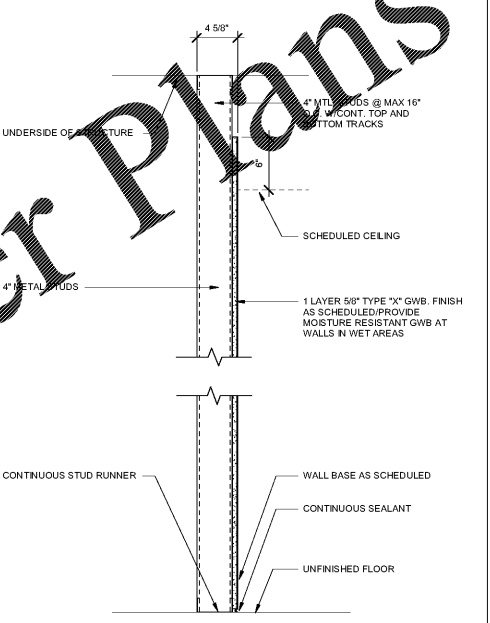


14 DEFLECTION TRACK DETAIL  
6" = 1'-0"

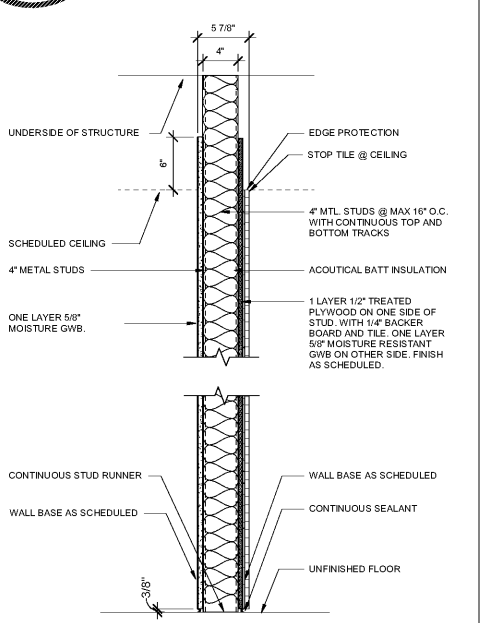
- PARTITION NOTES**
- ALL GYP PART WALL BOARD TO BE 5/8" TYPE 'X' U.N.O.
  - UNLESS NOTED OTHERWISE, DIMENSIONS ARE TO COLUMN CENTER LINE, FACE OF GWB/STUD PARTITIONS, FACE OF MASONRY AND CONCRETE WALLS AND FACE OF EXISTING WALLS.
  - HOLD TOP OF PARTITION DOWN 1/2" FROM TOP RUNNER WHERE PARTITION EXTENDS TO STRUCTURE ABOVE.
  - ALL CAULK AND SEALANT SHALL BE CONTINUOUS.
  - ALL CMU WALLS AND SOUND RATED PARTITIONS SHALL EXTEND FROM FINISH FLOOR TO WHERE THEY MAY BE SEALED, SUCH AS THE UNDERSIDE OF STRUCTURE OR DECK, AND BE ENTIRELY SEALED OFF U.N.O. ALL PENETRATIONS SUCH AS PIPING, CONDUITS, DUCTS, ETC. IN SUCH SEALED OFF WALLS OR PARTITIONS SHALL IN THEMSELVES BE PACKED AND SEALED OFF ALONG THE PERIMETER OF PENETRATION.
  - ALL FIRE AND/OR SMOKE PARTITIONS SHALL EXTEND FROM FINISH FLOOR TO WHERE THEY MAY BE SEALED, SUCH AS THE UNDERSIDE OF STRUCTURE OR DECK, AND BE ENTIRELY SEALED OFF WITH SAFING MATERIAL ONLY. SAFING MATERIAL SHALL BE HELD IN PLACE WITH A FIRE STOPPING MATERIAL, ON BOTH SIDES, SUCH AS GYPSUM WALL BOARD OR U LISTED FIRE STOPPING MATERIAL AND ASSEMBLY.
  - ALL SOUND RATED (STC) WALLS OR PARTITIONS SHALL HAVE CLOSURE GASKETS AT TOP, BOTTOM, AND SIDES WHERE A SOUND LEAK WOULD OTHERWISE EXIST.
  - STRUCTURAL STUDS (20 GA. MINIMUM) SHALL BE USED WHERE ANY NON-SELF-SUPPORTING WALL HUNG FIXTURES, EQUIPMENT, OR CABINETRY OCCUR AND SHALL EXTEND FROM FLOOR TO STRUCTURE ABOVE. SEE TYPICAL SUPPORT DETAILS FOR WALL MOUNTED ITEMS.
  - ALL METAL STUD FRAMED PARTITIONS SHALL BE BRACED ABOVE FINISHED CEILINGS. BRACING SHALL BE AS FOLLOWS:  
ATTACH A 4" METAL STUD HORIZONTALLY AND CONTINUOUSLY TO PARTITION AT MAXIMUM ABOVE FINISHED CEILING. PROVIDE 4" METAL STUD KICKERS AT 45 DEGREE ANGLE TO STRUCTURE AT 4'-0" O.C.
  - KICKERS SHALL HAVE CLIP ANGLES (14 GA MIN.) WITH TWO 1/4" ANCHORS. ALL KICKER LOCATIONS SHALL BE COORDINATED WITH ALL OTHER TRADES PERFORMING WORK ABOVE CEILING.
  - DO NOT FASTEN TOP RUNNER TO STUDS; CRIMP RUNNER ON BOTH SIDES OF STUD TO STABILIZE STUD.
  - SEE ROOM FINISH SCHEDULE FOR ADDITIONAL REQUIREMENTS FOR FINISH MATERIALS SUCH AS TILE, PANELING, ETC. WHICH ARE NOT SHOWN OR INCLUDED IN THESE PARTITION TYPES.
  - WHERE PARTITION TYPES CHANGE IN A STRAIGHT RUN, THE EXPOSED OR MOST IMPORTANT EXPOSED FINISHED FACE, AND NOT NECESSARILY THE CENTERLINE OF STUDS, SHALL ALIGN. REVIEW CASES WHICH ARE UNCLEAR WITH THE ARCHITECT PRIOR TO CONSTRUCTION OF SUCH PARTITIONS.
  - WHERE ITEMS ARE RECESSED INTO RATED PARTITIONS, PROVIDE BOXING, INSULATION, ETC. AS REQUIRED TO MAINTAIN THE FIRE RESISTANCE RATING.
  - PURSUANT TO NCSBC 603 ALL WOOD PRODUCTS SHALL BE FIRE-RETARDANT TREATED.
  - WHERE PARTITIONS ARE NOTED AS "EXISTING TO REMAIN", THE PARTITIONS ARE TO REMAIN IN THEIR EXISTING LOCATION, AND THE CONTRACTOR IS TO MODIFY/REBUILD THE EXISTING PARTITIONS AS NEEDED TO INSTALL DETAILS AS NOTED.
  - WHERE SPECIALTY WALL PANEL SYSTEMS ARE TO BE APPLIED TO PARTITIONS, SHIMMING MAY BE REQUIRED TO ENSURE A FLUSH AND PLUMB INSTALLATION.
  - ELECTRICAL AND TELECOM ROOMS: IN ADDITION TO GWB AS SCHEDULED, WRAP ENTIRE ROOM IN 3/4" V.R.G.N. VOID-FREE, FIRE RATED PLYWOOD, FROM 0'-0" AFF TO 8'-0" AFF. LAG-BOLTED TO WALLS AT METAL STUD LOCATIONS. PAINT ALL WALL SURFACES AS SCHEDULED.



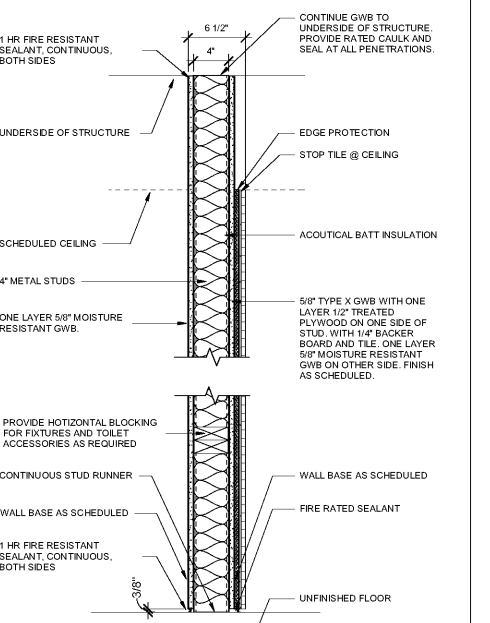
W-01	FIRE RATING	ASSEMBLY NO.	STC	STC TEST #
	1 HR	U419	N/A	N/A



W-02	FIRE RATING	ASSEMBLY NO.	STC	STC TEST #
	0 HR	N/A	N/A	N/A



W-03A	FIRE RATING	ASSEMBLY NO.	STC	STC TEST #
	0 HR	N/A	N/A	N/A



W-03B	FIRE RATING	ASSEMBLY NO.	STC	STC TEST #
	1 HR	U419	N/A	N/A